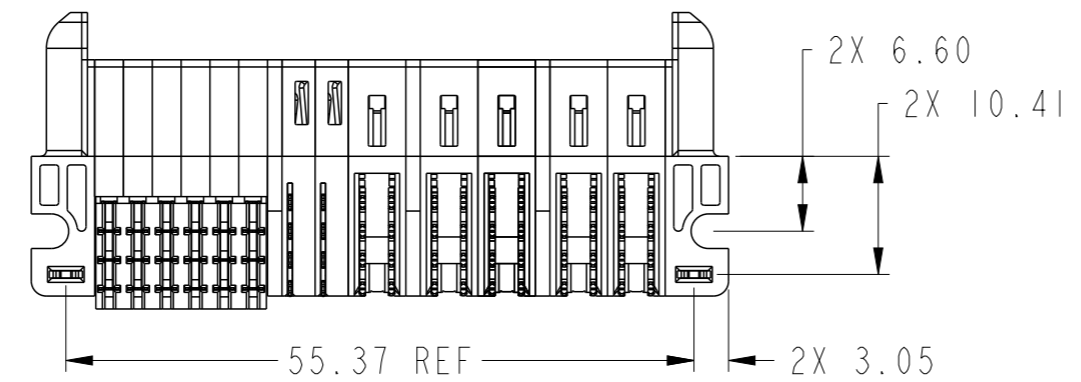
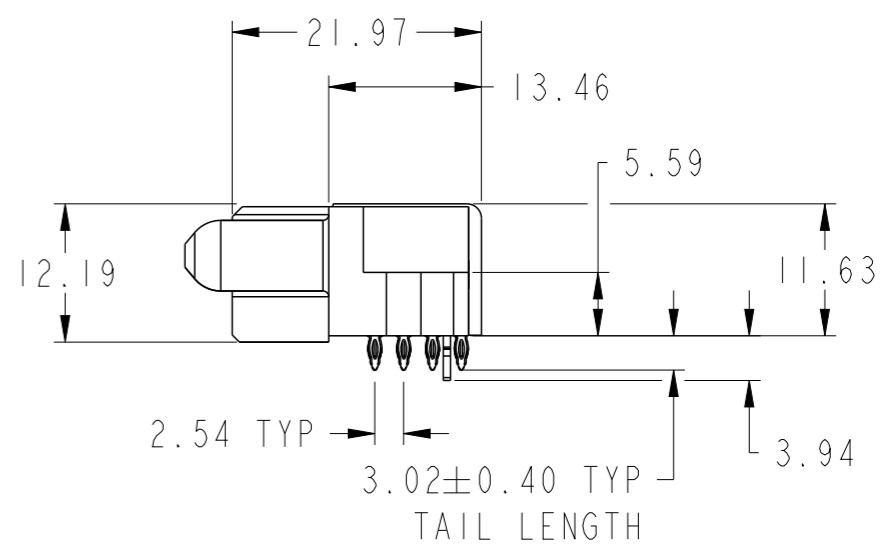
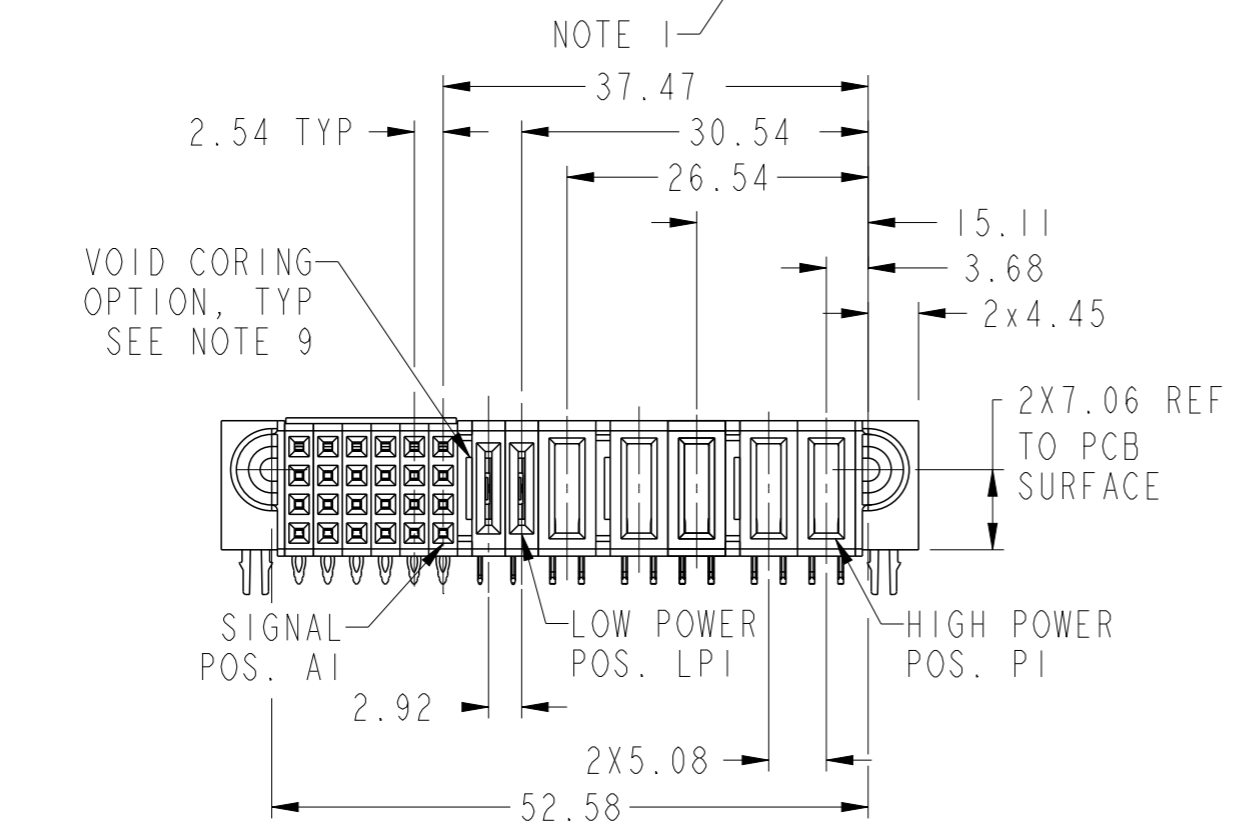
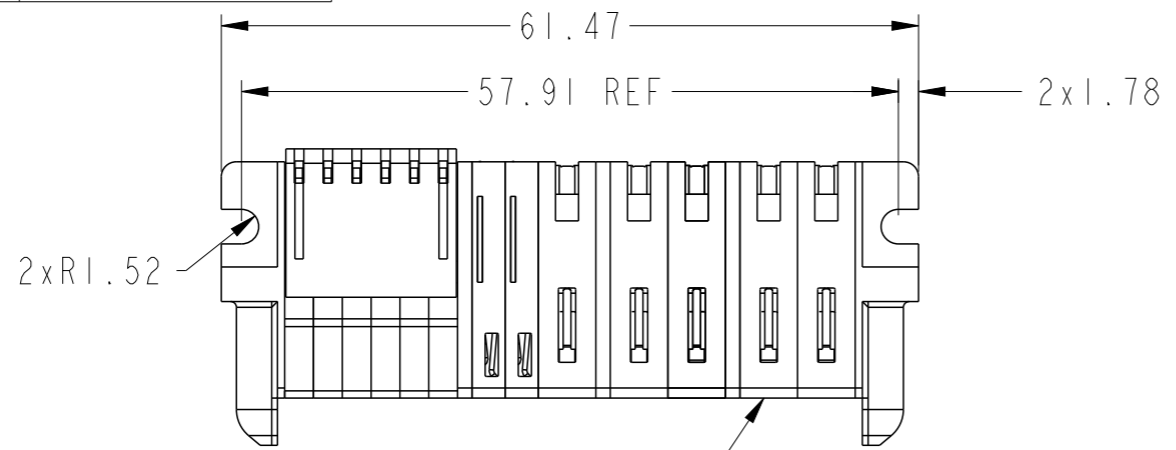


PRODUCT NUMBER SEE SHEET 2

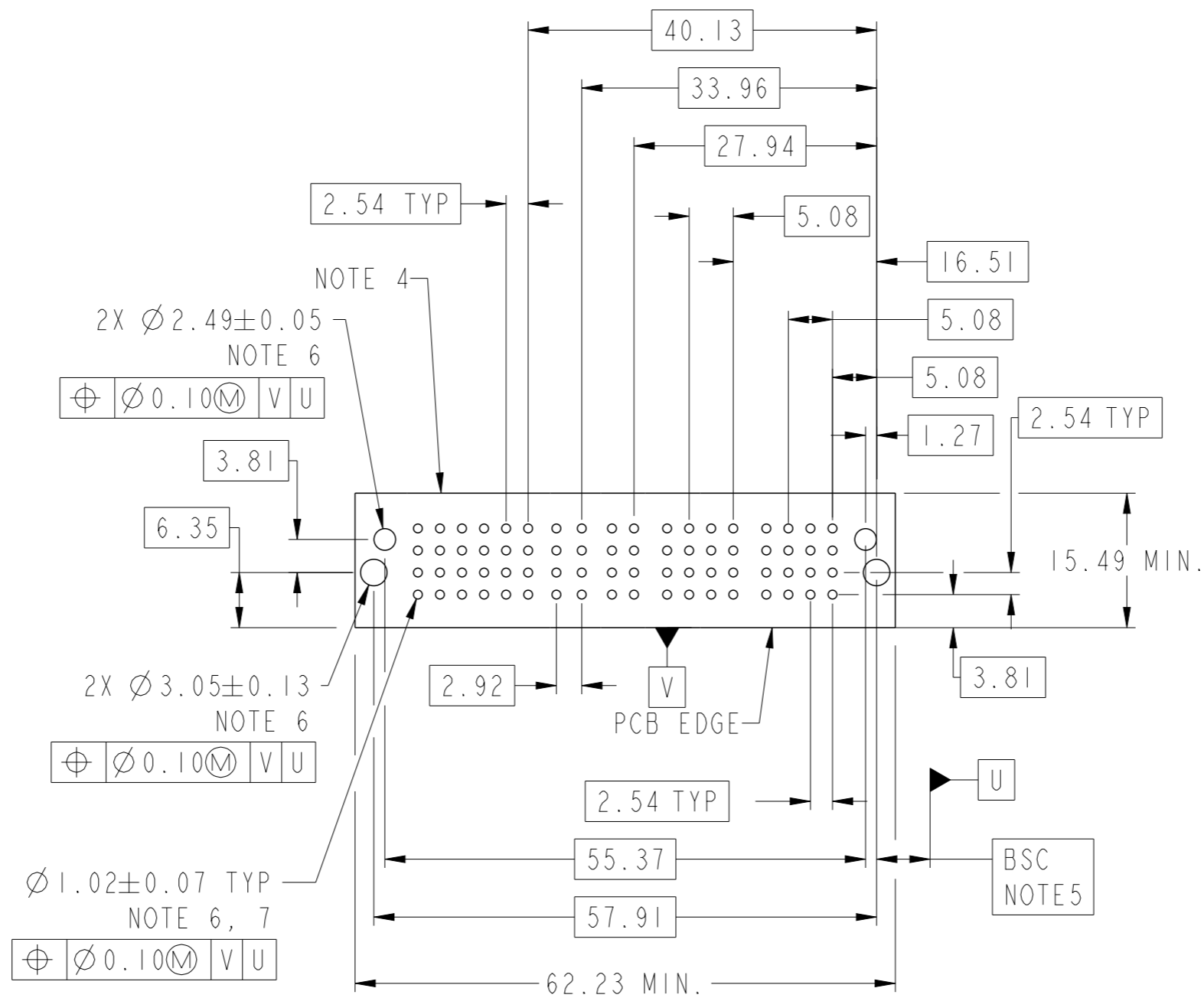


Copyright FCI.

| | | | | | | | | | | | | | | | | | | | | | | | | | | | | |
|---------------------------------------|---------------------------------------------------------------------------------------------------------------------------------------------------------------------------------------------------------------------------------------------|-------------|--------------|------------------------|--------------|------|--------|----|-----------|----------|----------------|-----------|-----|------|----------------|------------|--|--|----------------------------------------------------------------------------------------------------------------------------------------|---------|-----------------|---------|------------------|---------------------------------------------------------------------------------------------------------------------|--------|------------------|-----|---|
| spec ref | * | dr | Eddy Zeng | 2014/03/27 | projection | MM | size | A3 | scale | 3:2 | | | | | | | | | | | | | | | | | | |
| tolerance std | ASME Y14.5 | eng | Rainbow Zhan | 2014/07/03 | | | ecn no | - | rel level | Released | | | | | | | | | | | | | | | | | | |
| TOLERANCES UNLESS OTHERWISE SPECIFIED | | chr | Li-He | 2014/07/03 | | | | | | | product family | PwrBlade+ | | | | | | | | | | | | | | | | |
| surface | <table border="1"> <tr> <td>linear</td> <td>0.X</td> <td>±0.5</td> </tr> <tr> <td></td> <td>0.XX</td> <td>±0.25</td> </tr> <tr> <td></td> <td>0.XXX</td> <td>±0.10</td> </tr> <tr> <td>angular</td> <td>0°</td> <td>±2°</td> </tr> </table> | linear | 0.X | ±0.5 | | 0.XX | ±0.25 | | 0.XXX | ±0.10 | angular | 0° | ±2° | appr | Pei-Ming Zheng | 2014/07/03 | | | <table border="1"> <tr> <td>part no</td> <td>5HP + 2LP + 24S</td> </tr> <tr> <td>part no</td> <td>RA PF RECEPTACLE</td> </tr> </table> | part no | 5HP + 2LP + 24S | part no | RA PF RECEPTACLE | <table border="1"> <tr> <td>dwg no</td> <td>10106265-5206001</td> </tr> <tr> <td>rev</td> <td>A</td> </tr> </table> | dwg no | 10106265-5206001 | rev | A |
| linear | 0.X | ±0.5 | | | | | | | | | | | | | | | | | | | | | | | | | | |
| | 0.XX | ±0.25 | | | | | | | | | | | | | | | | | | | | | | | | | | |
| | 0.XXX | ±0.10 | | | | | | | | | | | | | | | | | | | | | | | | | | |
| angular | 0° | ±2° | | | | | | | | | | | | | | | | | | | | | | | | | | |
| part no | 5HP + 2LP + 24S | | | | | | | | | | | | | | | | | | | | | | | | | | | |
| part no | RA PF RECEPTACLE | | | | | | | | | | | | | | | | | | | | | | | | | | | |
| dwg no | 10106265-5206001 | | | | | | | | | | | | | | | | | | | | | | | | | | | |
| rev | A | | | | | | | | | | | | | | | | | | | | | | | | | | | |
| ASME Y14.5 | | www.fci.com | cat. no. | Product - Customer Drw | sheet 1 of 3 | | | | | | | | | | | | | | | | | | | | | | | |

| | | | | | | | | | | | | | | | |
|--------------------|------|--------|---|---|---|---|---|----|----|------------|----|----|----|----|----|
| PRODUCT NO. | ROWS | SIGNAL | | | | | | LP | | HIGH POWER | | | | | E2 |
| | | E1 | 6 | 5 | 4 | 3 | 2 | 1 | P7 | P6 | P5 | P4 | P3 | P2 | |
| 10106265-5206001LF | DCBA | S | S | S | S | S | S | LT | LT | H5 | H5 | H5 | H7 | H7 | |
| | | R | R | R | R | R | R | | | | | | | | |
| | | P | P | P | P | P | P | | | | | | | | |
| | | N | N | N | N | N | N | | | | | | | | |

| CODE | DESCRIPTION |
|------|-------------------------------|
| H5 | MFBL HIGH POWER CONTACT(3.02) |
| H7 | STD HIGH POWER CONTACT(3.02) |
| HA | METAL HOLD DOWN |
| LT | STD LOW POWER CONTACT(3.02) |
| N | STD SIGNAL CONTACT, ROW A |
| P | STD SIGNAL CONTACT, ROW B |
| R | STD SIGNAL CONTACT, ROW C |
| S | STD SIGNAL CONTACT, ROW D |

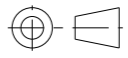
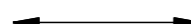



Copyright FCI.

| | | | | | | | | |
|-------------|----------------|------------|----------------------------------------------|----|------------------------|----------------------------|----------|--------------|
| dr | Eddy Zeng | 2014/03/27 | projection | MM | size | A3 | scale | 3:2 |
| eng | Rainbow Zhan | 2014/07/03 | | | ecn no | | - | |
| chr | Li-He | 2014/07/03 | | | rel level | | Released | |
| appr | Pei-Ming Zheng | 2014/07/03 | product family | | PwrBlade+ | | - | |
| | | | title 5HP + 2LP + 24S RA PF RECEPTACLE | | | dwg no 10106265-5206001 | | rev A |
| www.fci.com | | | cat. no. | | Product - Customer Drw | | | sheet 2 of 3 |

NOTES:

- 1) "FCI", PART NUMBER AND DATE CODE TO BE MARKED ON THIS SURFACE.
THE MARK CAN BE OMITTED IF THERE IS NOT ENOUGH SPACE ON THIS SURFACE.
- 2) MATERIALS:
-HOUSING - GLASS FILLED WITH HIGH TEMP THERMOPLASTIC, UL94V-0.
-SIGNAL CONTACT - COPPER ALLOY.
-POWER CONTACT - HIGH CONDUCTIVITY COPPER ALLOY.
- 3) PLATING SPECIFICATION REFER TO FCI 10116351
- 4) DENOTES CONNECTOR KEEP OUT ZONE.
- 5) DATUM AND BASIC DIMENIONS WERE ESTABLISHED BY CUSTOMER.
- 6) ALL HOLE DIAMETERS ARE FINISHED HOLE SIZES.
- 7) 1.15 ± 0.025 MM DRILLED HOLE PLATED WITH 0.00762MM MIN Sn
OVER 0.0254-0.0762MM Cu PLATING TO ACHIEVE A 1.02 ± 0.07 MM HOLE.
- 8) PRODUCT SPECIFICATION REFER TO FCI GS-12-658.
APPLICATION SPECIFICATION REFER TO FCI GS-20-141.
PRODUCT PACKAGED IN TRAYS, REFER TO FCI GS-14-1502.
- 9) THE VOID CORING IN BETWEEN POWER MODULES, SIGNAL
MODULES AND END MODULES ARE OPTIONAL AND THE SHAPE
MAY BE DIFFERENT FOR OPTIMIZE THE MOLDING PROCESS. THE
VOID CORING WILL NOT EFFECT TO PRODUCT FUNCTION.

| | | | | | | | | |
|---------------------------------------------------------------------------------------|----------------|----------------------------------------------|-----------------------------------------------------------------------------------------------------|---------------------------------------------------------------------------------------------|----------------------------|-----------|-----------|----------|
| dr | Eddy Zeng | 2014/03/27 | projection  | MM  | size | A3 | scale | 3:2 |
| eng | Rainbow Zhan | 2014/07/03 | | | ecn no | - | | |
| chr | Li-He | 2014/07/03 | | | product family | PwrBlade+ | rel level | Released |
| appr | Pei-Ming Zheng | 2014/07/03 | | | | | | |
|  | | title 5HP + 2LP + 24S RA PF RECEPTACLE | | | dwg no 10106265-5206001 | rev A | | |
| www.fci.com | | cat. no. | Product - Customer Drw | | sheet 3 of 3 | | | |

