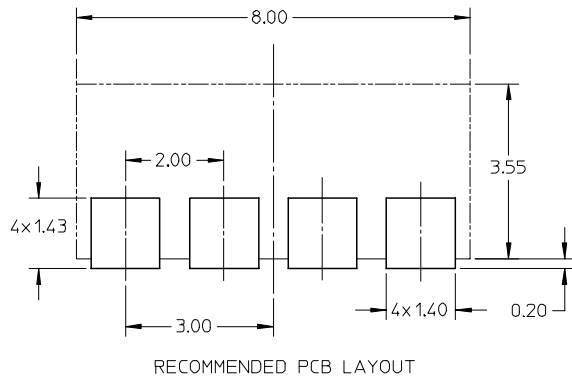
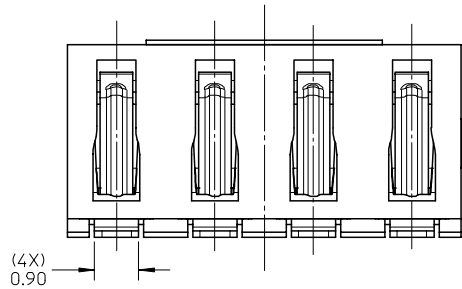
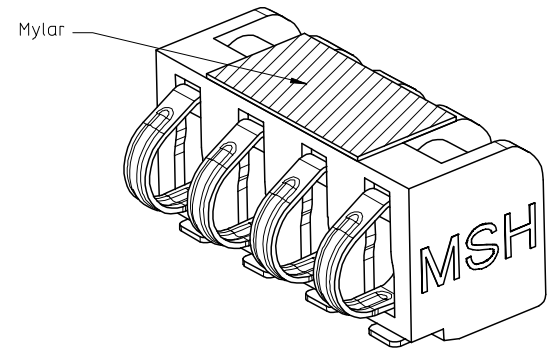


SECTION Z-Z



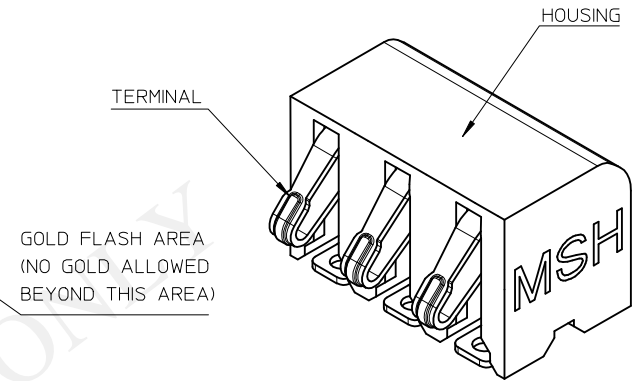
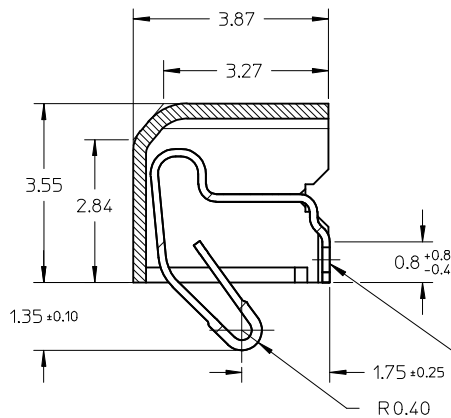
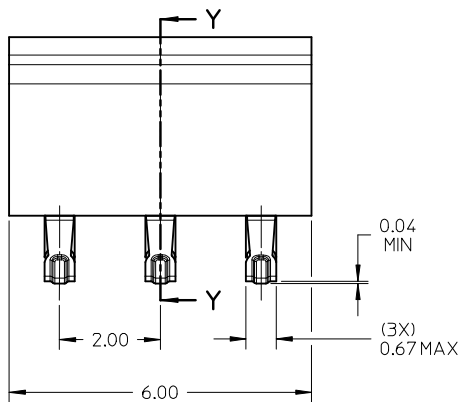
NOTE:

- MATERIAL:  
HOUSING: LCP, 30% GLASS-FILLED, UL 94V-0. COLOR IS BLACK  
TERMINAL: COPPER ALLOY, 0.12 MM BeCu
- FINISH:  
CONTACT AREA: 30-50 MICRO INCHES GOLD PLATING OVER 50-140 MICRO INCHES NICKEL  
SOLDER AREA: 3 MICRO MIN GOLD FLASH OVER 50-140 MICRO INCHES NICKEL  
REST AREA: 50-140 MICRO INCHES NICKEL
- RECOMMENED WORKING RANGE 1.05 ~ 0.55 MM.
- COPLANARITY: 0.1 MAX AMONG THESE SOLDER TAILS.
- PRODUCT SPECIFICATION: PS-47531-001

|   |                                       |   |                        |
|---|---------------------------------------|---|------------------------|
| 475310011   | 4 PIN BATTERY CONNECTOR WITHOUT MYLAR |   |                        |
| 475310001   | 4 PIN BATTERY CONNECTOR WITH MYLAR    |   |                        |
| PART NUMBER   |                                       | DESCRIPTION   |                        |
| DIMENSION STYLE<br>MM ONLY  |                                       | SCALE<br>10:1   | DESIGN UNITS<br>METRIC |
|   |                                       | THIRD ANGLE PROJECTION  |                        |
| DRAWN BY<br>YLZHU02   | DATE<br>2007/01/30                    | TITLE<br>ASSEMBLY DRAWING<br>4 PIN BATTERY CONNECTOR<br>2.0MM PITCH |                        |
| CHECKED BY<br>XIXU  | DATE<br>2007/01/31                    | MOLEX INCORPORATED  |                        |
| APPROVED BY<br>JNCHEN   | DATE<br>2007/01/31                    |   |                        |
| MATERIAL NO.  |                                       | DOCUMENT NO.<br>SD-47531-001  | SHEET NO.<br>1 OF 1    |
| DRAFT WHERE APPLICABLE<br>MUST REMAIN<br>WITHIN DIMENSIONS  |                                       | SEE TABLE   |                        |
| THIS DRAWING CONTAINS INFORMATION THAT IS PROPRIETARY TO MOLEX INCORPORATED AND SHOULD NOT BE USED WITHOUT WRITTEN PERMISSION |                                       |   |                        |

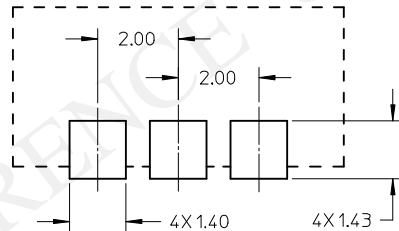
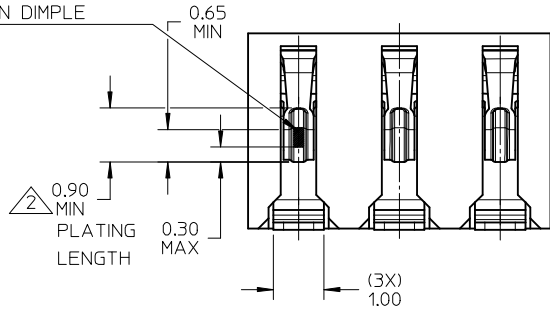
|                    |             |
|--------------------|-------------|
| NEW PRODUCT        | DESCRIPTION |
| EC NO: SH2007-0529 |             |
| DRWN: YLZHU02      | 2007/02/06  |
| CHKD: XUXIANG      | 2007/02/06  |
| APPR: JNCHEN       | 2007/02/15  |
| REV                |             |
| A                  |             |

|                 |                                       |       |
|-----------------|---------------------------------------|-------|
| QUALITY SYMBOLS | GENERAL TOLERANCES (UNLESS SPECIFIED) |       |
| ▽=0             | mm                                    | INCH  |
| ▽C=0            | 4 PLACES ± ---                        | ± --- |
|                 | 3 PLACES ± ---                        | ± --- |
|                 | 2 PLACES ± 0.15                       | ± --- |
|                 | 1 PLACE ± 0.25                        | ± --- |
|                 | ANGULAR ± 5 °                         |       |



SECTION Y-Y

CONTACT AREA ON DIMPLE



SCALE 8:1  
RECOMMENDED PCB LAYOUT  
(DEFAULT TOLERANCE: ±0.05)

NOTES :

1. MATERIAL :

HOUSING: LCP, 30% GLASS FILLED, UL94V-0, COLOR: BLACK  
TERMINAL: COPPER ALLOY, 0.15 BECU C17200 290 TM06

2. FINISH :

CONTACT AREA ON DIMPLE : 30 MICRO INCHES MIN GOLD PLATING OVER 50 MICRO INCHES MIN NICKEL.

GOLD FLASH ON PLATING LENGTH  
SOLDER AREA : GOLD FLASH OVER 50 MICRO MIN INCHES NICKEL  
REST AREA :50 MICRO INCHES MIN NICKEL

3. RECOMMENED WORKING RANGE 1.05~0.55 MM.

4. COPLANARITY : 0.08MAX AMONG THESE SOLDER TAILS.

5. PRODUCT SPECIFICATION : PS-47615-001.

|   |  |  |       |                            |  |                          |                        |   |  |  |
|---|--|--|-------|----------------------------|--|--------------------------|------------------------|---|--|--|
| PROPOSED<br>EC NO: SH2013-0331<br>DRWN:RL109 2012/02/01<br>CHKD:<br>APPR:RL109 2013/04/10 | QUALITY SYMBOLS<br>$F_A=0$<br>$F_G=0$<br>$F_P=0$ | GENERAL TOLERANCES (UNLESS SPECIFIED)                      |       | DIMENSION STYLE<br>MM ONLY |  | SCALE<br>10:1            | DESIGN UNITS<br>METRIC | THIRD ANGLE PROJECTION                          |  |  |
|   |  | mm   | INCH  | DRAWN BY                   | DATE   | TITLE                    |                        |   |  |  |
|   |  | 4 PLACES ± ---   | ± --- | RL109                      | 2012/02/01   | 3 CKTS BATTERY CONNECTOR |                        |   |  |  |
|   |  | 3 PLACES ± ---   | ± --- | CHECKED BY                 |  | DATE                     |                        | MOLEX INCORPORATED<br>DOCUMENT NO. SD-47615-020 |  |  |
| 2 PLACES ± 0.25   | ± ---  | APPROVED BY  |       | DATE                       |  | SHEET NO.                |                        |   |  |  |
| 1 PLACE ± 0.25  | ± ---  | RL109  |       | 2013/04/10                 |  | 1 OF 1                   |                        |   |  |  |
| ANGULAR ± 3 °   |  | DRAFT WHERE APPLICABLE<br>MUST REMAIN<br>WITHIN DIMENSIONS |       | MATERIAL NO.<br>476150020  | THIS DRAWING CONTAINS INFORMATION THAT IS PROPRIETARY TO MOLEX<br>INCORPORATED AND SHOULD NOT BE USED WITHOUT WRITTEN PERMISSION |                          |                        |   |  |  |