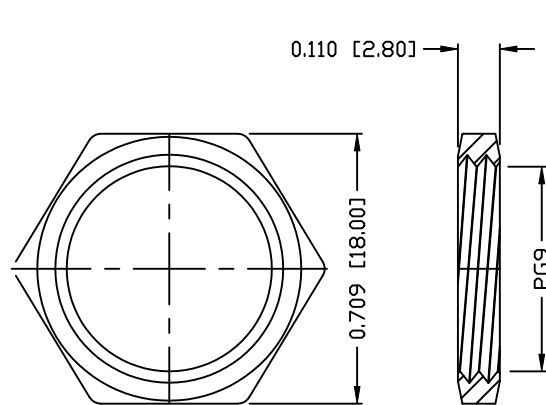


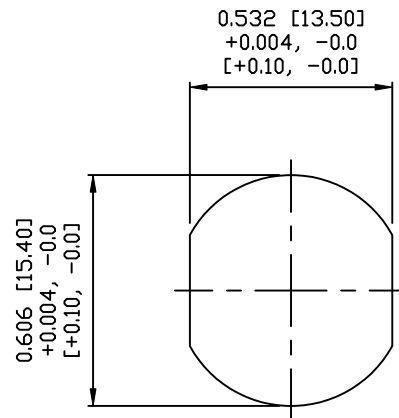
DESCRIPTION: M12 FEMALE - PANEL MOUNT (REAR) - 4 POS. - D-CODE

NOTE:

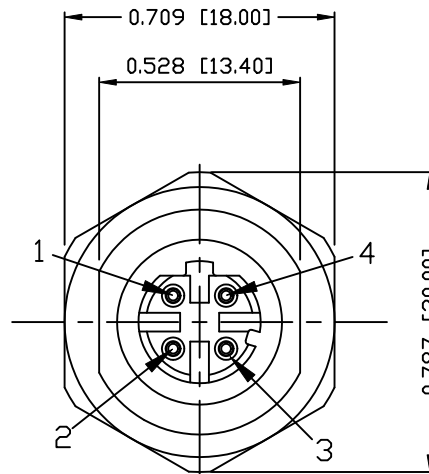
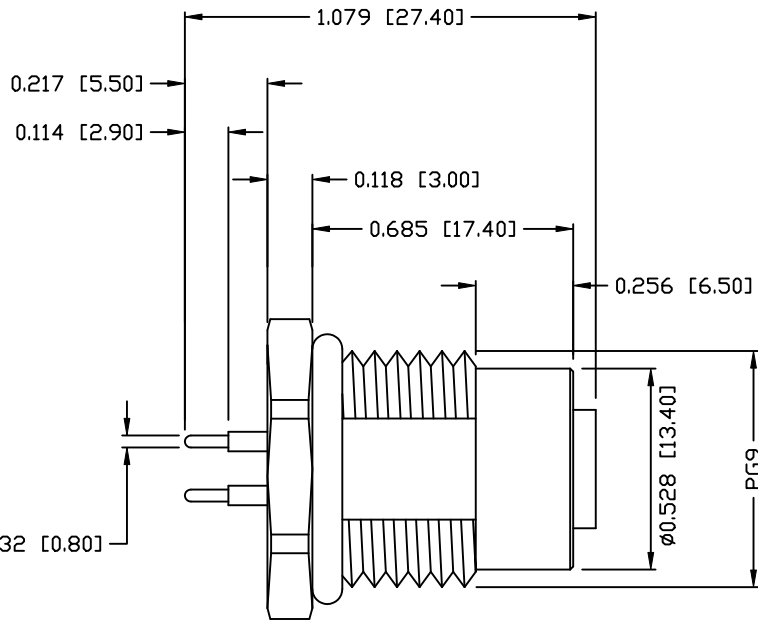
MATERIAL	
HOUSING:	PBT UL94V-0, BLACK
CONTACT:	BRASS
NUT:	BRASS
SHELL:	BRASS
O-RING:	EPDM, BLACK
FINISH	
CONTACT:	GOLD PLATED OVER 50µ" NICKEL
NUT:	NICKEL PLATED 60µ" TO 100µ"
SHELL:	NICKEL PLATED 60µ" TO 100µ"
ELECTRICAL	
RATED CURRENT:	5A
RATED VOLTAGE:	125V
INSULATION RESISTANCE:	100 mOhms MIN.
CONTACT RESISTANCE:	10 MOhms MAX.
WATER PROOF:	IP67
ENVIRONMENT	
OPERATION TEMPERATURE:	-40°C TO +85°C



NUT

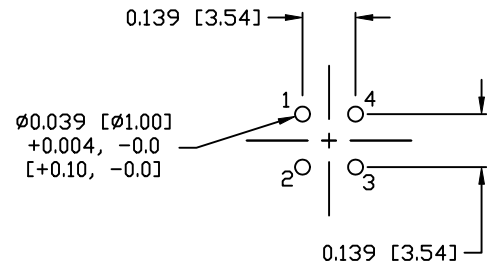


PANEL CUT-OUT



860RD04-213R00Y

1 = GOLD FLASH
4 = 10µ" GOLD



RECOMMEND P.C.B LAYOUT

RoHS COMPLIANT

DO NOT SCALE FROM DRAWING



THESE DRAWINGS AND SPECIFICATIONS ARE THE PROPERTY OF NorComp AND SHALL NOT BE REPRODUCED, COPIED OR USED AS THE BASIS FOR THE MANUFACTURE OR SALE OF APPARATUS WITHOUT WRITTEN PERMISSION.

DRAWN: M. SIGMON
CHECKED:

DATE: 07-26-16
DATE:

NorComp

SCALE: N.T.S. SHEET 1 OF 1 REV 1

DWG NO. 860RD04-213R00Y