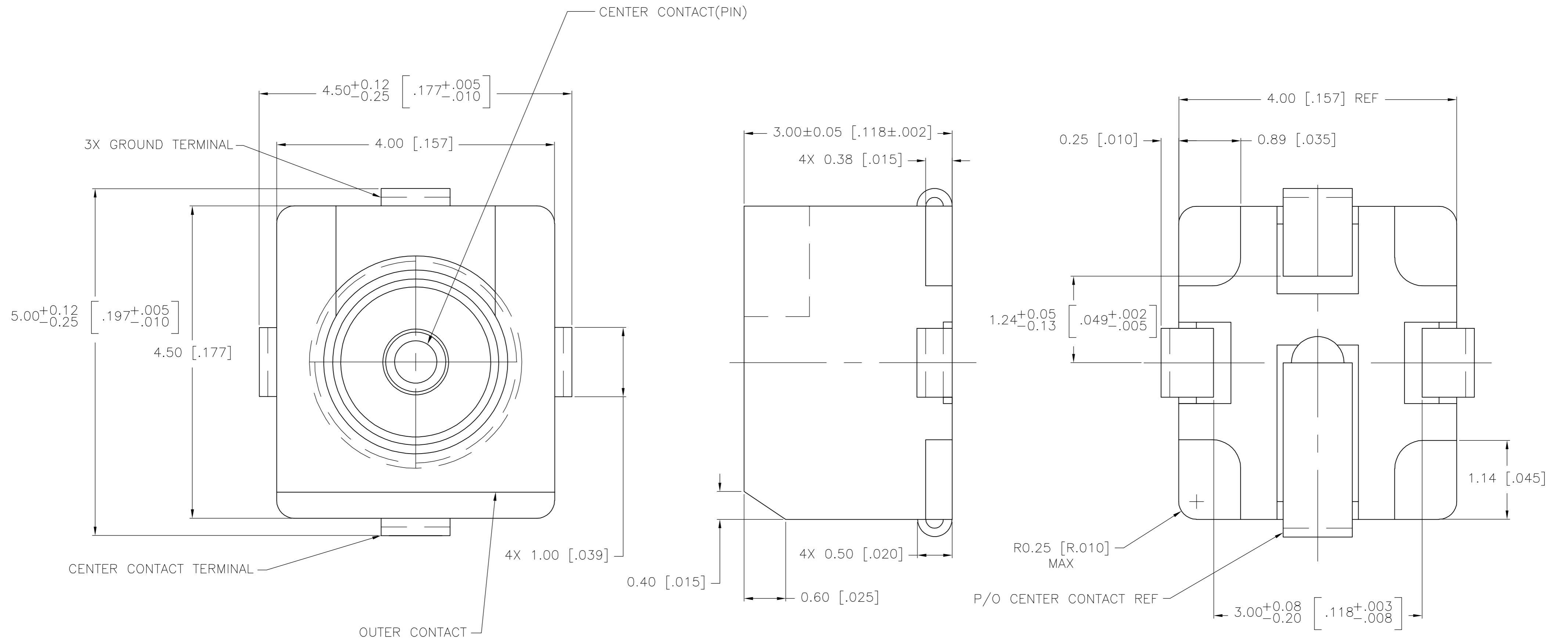


THIS DRAWING IS UNPUBLISHED. RELEASED FOR PUBLICATION
 © COPYRIGHT BY TYCO ELECTRONICS CORPORATION. ALL RIGHTS RESERVED.

Loc		DIST		REVISIONS			
P	LTR	DESCRIPTION		DATE	DWN	APVD	
AJ	17	B		REDRAWN PER EC OS14-0016-05	26JAN05	BM KW	

- MATERIAL:
HOUSING: POLYPHENYLENE SULFIDE.
CONTACTS: COPPER ALLOY CDA752.
- FINISH:
CONTACTS: GOLD PLATE OVER DUCTILE NICKEL PLATE.

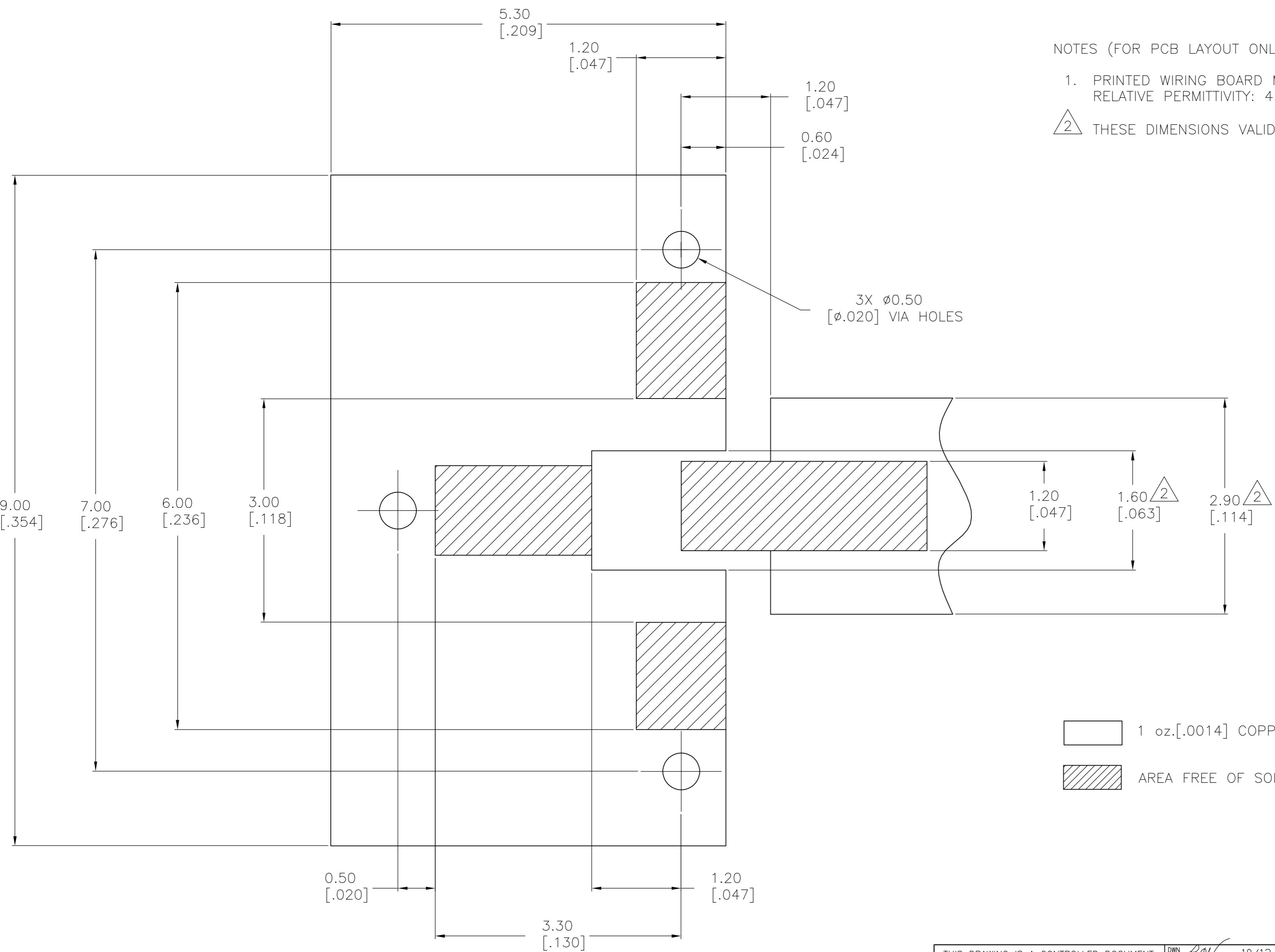


1055690-1
PART NUMBER

THIS DRAWING IS A CONTROLLED DOCUMENT.		DWN <i>PCW</i> 10/12/94	tyco Tyco Electronics Corporation	
DIMENSIONS: mm[INCHES]		CHK	Harrisburg, Pa 17105-3608	
TOLERANCES UNLESS OTHERWISE SPECIFIED:		APVD <i>PCW</i> 10/12/94	NAME STRAIGHT OSMT PCB MOUNT PLUG RECEPTACLE	
0 PLC ± -		PRODUCT SPEC	SIZE A2	CAGE CODE 00779
1 PLC ± -		APPLICATION SPEC	DRAWING NO C=1055690	RESTRICTED TO -
2 PLC ± -		WEIGHT -	SCALE 25:1	SHEET 1 OF 2
3 PLC ± 0.13[.005]		CUSTOMER DRAWING	REV B	
4 PLC ± -				
ANGLES ± 1°				
FINISH -				

THIS DRAWING IS UNPUBLISHED. RELEASED FOR PUBLICATION
 © COPYRIGHT BY TYCO ELECTRONICS CORPORATION. ALL RIGHTS RESERVED.

Loc	DIST	REVISIONS			
P	LTR	DESCRIPTION	DATE	DWN	APVD
AJ	17	SEE SHEET 1	-	-	-



NOTES (FOR PCB LAYOUT ONLY):
 1. PRINTED WIRING BOARD MATERIAL: GLASS EPOXY. FR-4 OR SIMILAR, RELATIVE PERMITTIVITY: 4.8oz. COPPER CLAD BOTH SIDES.
 2. THESE DIMENSIONS VALID FOR 1.60 [.062] BOARD THICKNESS.

1 oz. [.0014] COPPER
 AREA FREE OF SOLDER MASK

RECOMMENDED MOUNTING PATTERN FOR MICROSTRIP LINE

THIS DRAWING IS A CONTROLLED DOCUMENT.		DWN <i>PCW</i> 10/12/94	tyco Tyco Electronics Corporation	
DIMENSIONS: mm [INCHES]		CHK	Harrisburg, Pa 17105-3608	
TOLERANCES UNLESS OTHERWISE SPECIFIED:		APVD <i>PCW</i> 10/12/94	NAME	
0 PLC ± -		PRODUCT SPEC	STRAIGHT OSMT PCB	
1 PLC ± -		APPLICATION SPEC	MOUNT PLUG RECEPTACLE	
2 PLC ± -		WEIGHT	SIZE	RESTRICTED TO
3 PLC ± 0.13 [.005]		FINISH	CAGE CODE	DRAWING NO
4 PLC ± -		MATERIAL	A2 00779	C=1055690
ANGLES ± 1°		CUSTOMER DRAWING	SCALE	SHEET
MATERIAL		SCALE 25:1	2	OF 2
FINISH		REV	B	

1055690