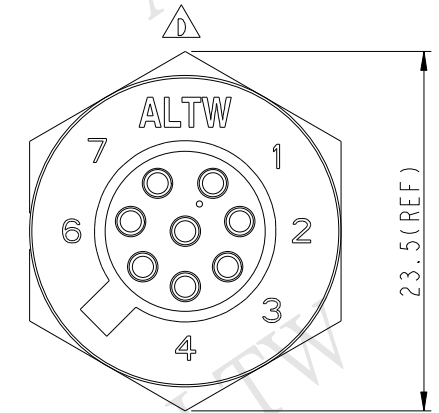
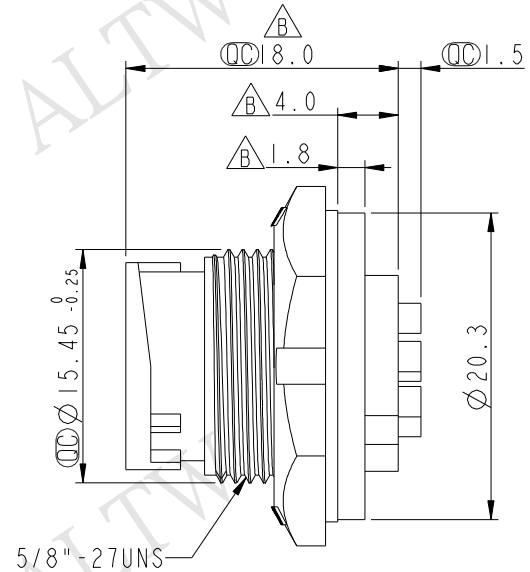
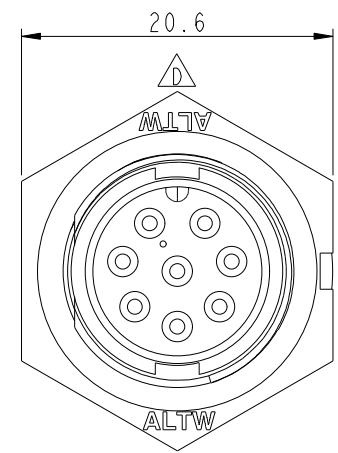


THIS DOCUMENT IS SUBJECT TO CHANGE WITHOUT NOTICE. IT IS CONFIDENTIAL AND A PROPERTY OF AMPHENOL LTW. DISCLOSURE TO THIRD PARTY HAS TO BE AUTHORIZED BY AMPHENOL LTW.

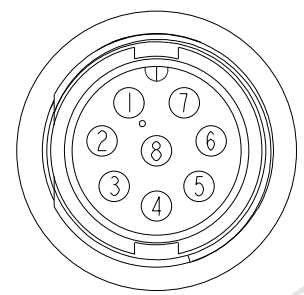
REV.	ECN NO.	DATE	SIGN	DESCRIPTION
B		2007/04/24	J.Espiritu	Change Precision Of Dimension 18.00 To 18.0, 4.00 To 4.0, 1.80 To 1.8 And Apply New Format
C	LEN-8B0404	2008/09/17	Shin	Add Note
D	LEN1530130	2014/12/18	Jinhai	Change Logo

ALTW
CONFIDENTIAL
 2014-12-18
R&D DEPT.

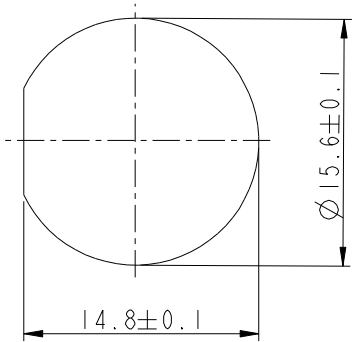
ALTW
 DCC. DEPT. CONFIDENTIAL
 2015.03.19
ISSUED



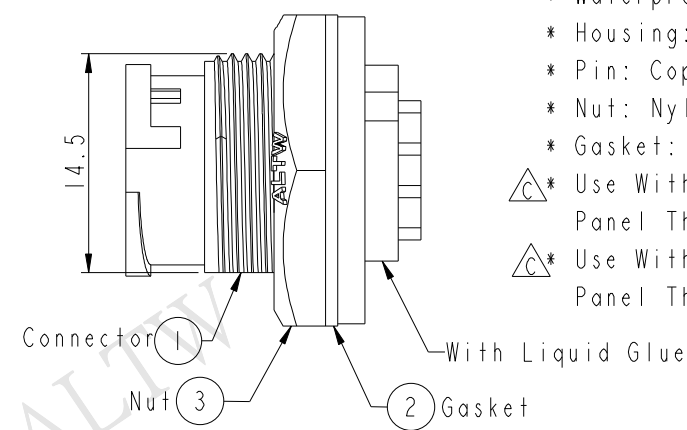
- Note:
- * CC Important Dimension To Check.
 - * Waterproof Rate: IP67
 - * Housing: Nylon+GF, Black
 - * Pin: Copper Alloy, Gold Plated
 - * Nut: Nylon+GF, Black
 - * Gasket: EPDM, Black
 - \triangle * Use With Waterproof Cap Or Dust Cap
Panel Thickness Max: 3.0mm
 - \triangle * Use Without Waterproof Cap Or Dust Cap
Panel Thickness Max: 4.5mm



Pin Assignments
Front View



Recommended Panel Cut-out



UNIT:mm

TOLERANCE	
.X	±0.25
.XX	±0.1
.XXX	±0.05
ANGLES	±1°

TITLE Standard Panel Lock 8Pin M Conn M Pin			
SCALE 2:1	SIZE A4	SHEET 1 OF 1	
REV. D	WC-REV. A.2	CC : Inspection item	

Amphenol LTW
 安費諾亮泰企業股份有限公司

ITEM NO. BD-08PMMS-LC7001	DRAWN BY Jinhai	DATE 2014-12-18
DWG NO. BD-08PMMS-LC7001	CHECKED BY Tom	DATE 2014-12-18
CUSTOMER ALTW	APPROVED BY Jerry	DATE 2014-12-18