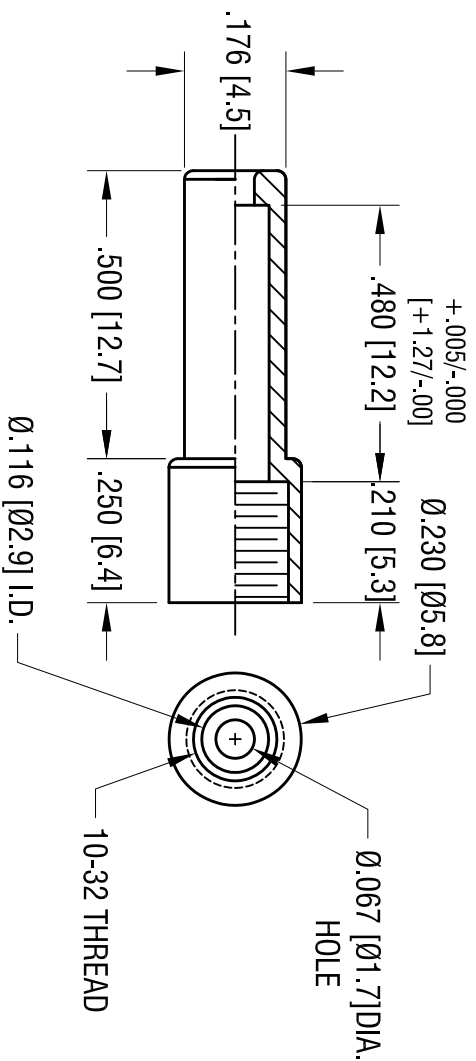


DATE

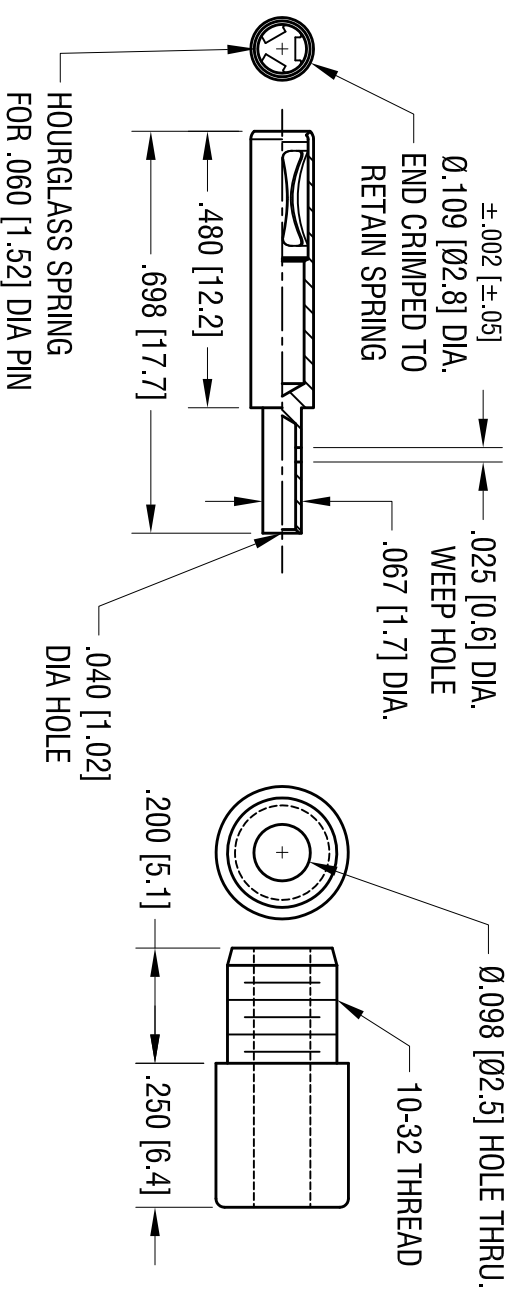
DESCRIPTION

REV.

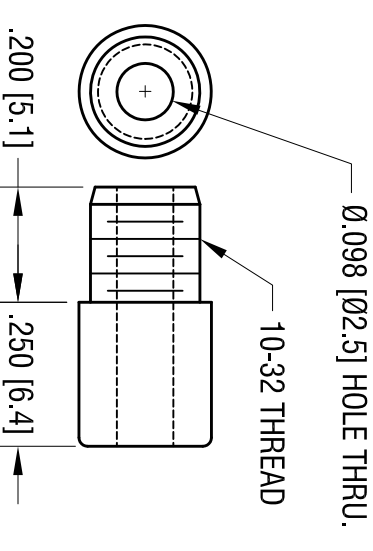
INSULATOR BASE



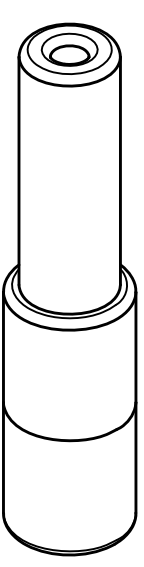
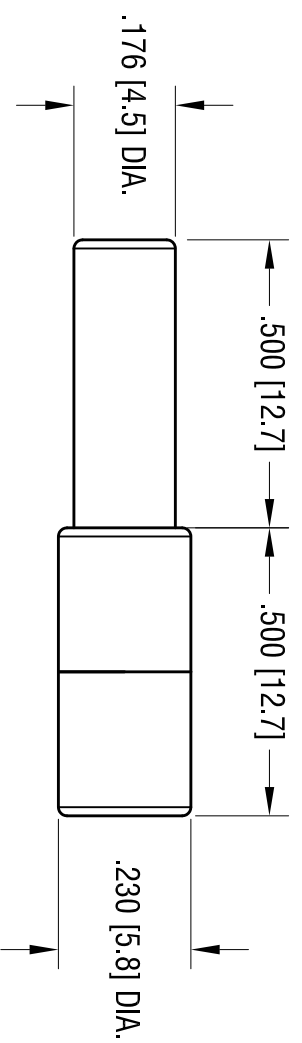
BODY



INSULATOR CAP



PART NUMBER	COLOR
9012	WHITE
9013	RED
9014	BLACK
9015	GREEN
9016	YELLOW
9017	BLUE



NOTES:

- INSULATOR - POLYCARBONATE
BODY - BRASS, GOLD PLATE
CONTACT - BERYLLIUM COPPER, GOLD PLATE
- SUPPLIED UNASSEMBLED

KEYSTONE ELECTRONICS CORP.

www.keystone.com • ASTORIA, N.Y. 11105-2017 • Tel (718) 956-8900

PART NAME

SHROUDED SPRING CONTACT

MATERIAL

AS NOTED

FINISH

AS NOTED

TOLERANCES INCH [MM]
DECIMAL ± .005 [± 0.15]
ANGULAR ± 1°
UNLESS OTHERWISE SPECIFIED

CODE

C/M

DWG. NO.

9012-9017

DRN BY
HAMILTON

DATE
28MAY09

SCALE
3X

THIS DOCUMENT IS THE PROPERTY OF
KEYSTONE ELECTRONICS CORP. AND
SHALL NOT BE REPRODUCED, DISTRIBUTED
OR USED AS A BASIS FOR MANUFACTURE
WITHOUT PRIOR WRITTEN PERMISSION
FROM KEYSTONE ELECTRONICS CORP.