

PART NUMBER	REV	FIRST USED
567941-1	A	854040-3

TERMINAL NAME: SOCKET & PIN		CRIMPING DATA	
PIN	SOCKET	VISIBLE PAD LTR	CRIMP HEIGHT
286632	286633	A	.055±.002 [1.40±0.05mm]
		B	.048 ±.002 [1.22 ±0.05mm]
		C	.044±.002 [1.12±0.05mm]
		D	NOT USED
WIRE	SIZE	TYPE	RANGE
.070	[1.78mm]	F	22-18
INSUL	SIZE	TYPE	RANGE
.140	[3.56mm]	F	.065-.110

QTY	REV	U/M	DWG SIZE	PART NO	DESCRIPTION	ITEM NO
2	-	C		4-354779-6	PIN, WIRE DISC (.3220)D	129
2	-	C		3-354779-2	PIN, WIRE DISC (.3150)C	128
						127
2	-	C		5-354779-5	PIN, WIRE DISC (.3265)A	126
1	-	A		986950-1	WASHER, FLAT PRECISION	125
1	-	A		217238-3	GENERAL INSTRUCTION PACKAGE	124
						123
						122
1	-	A		4-21028-0	PIN, SLT SPR (Ø .093x.75) ST GDE PL	121
1	-	B		690701-2	PLATE, SERIAL NO.	120
2	-	A		21899-2	WASHER, FLAT (#10) S G ADJ BLK	119
						118
2	-	A		21024-5	WASHER, LOCK (#10) ADJ BLOCK	117
						116
						115
2	-	A		21024-2	WASHER, LOCK (#4) FRONT STP GUIDE	114
REF	-	A		21024-4	WASHER, LOCK (#8) FEED FINGER	113
2	-	A		21024-4	WASHER, LOCK (#8) DEP-HOLD	112
REF	-	A		21024-4	WASHER, LOCK (#8) STRIPPER	111
						110
						109
1	-	A		21018-5	NUT, HEX (#6) HOLD DOWN	108
						107
						106
1	-	A		22353-8	SCR, SHLD (Ø .187x.25) DRAG LEVER	105
						104
1	-	A		21009-2	SCR, SKT SET (1/4-20x.25 LW) RAM	103
						102
4	-	A		21017-2	SCR, DRIVE (#2x.19) ID PLATE	101
1	-	B		819347-1	PLATE, IDENTIFICATION	100
2	-	A		3-21002-0	SCR, BHC (10-32x.88) DRAG	99
1	-	A		22733-8	SCR, BHC (8-32x.38 LW) ANVIL	98
						97
1	-	A		3-21000-8	SCR, SHC (10-32x.88) MOUNTING	96
1	-	A		2-21002-7	SCR, BHC (10-32x.50) S G ADJ BLK	95
6	-	A		2-21002-2	SCR, BHC (8-32x.50) SHEAR-TERM SUP	94
						93
						92
1	-	A		1-21002-7	SCR, SHC (6-32x.50) CAM	91
2	-	A		2-21000-7	SCR, SHC (8-32x.50) SCR BLK	90
						89
						88
2	-	A		2-21000-7	SCR, SHC (8-32x.48) DEP-HOLD DOWN	87
REF	-	A		2-22603-0	SCR, HEX HD (8-32x.31) FEED FINGER	86
2	-	A		1-21000-3	SCR, SHC (4-40x.25) F ST GUIDE	85
REF	-	A		22733-9	SCR, BHC (8-32x.50 SL) STRIPPER	84
						83
						82
1	-	A		3-22603-1	SCR, HEX (10-32x.38) S G ADJ BL	81
						80
						79
						78
2	-	B		463310-6	BLADE, STRIPPING (#22)	77
						76
						75
1	-	A		690603-1	SPRING, ASSIST	74
1	-	A		23030-1	SCR, SKT CAP (6-32x.25) CP DSC	73
						72
						71

QTY	REV	U/M	DWG SIZE	PART NO	DESCRIPTION	ITEM NO
-1						

QTY REQD PER ASSY		PARTS LIST	

SIM TO HDM NONE

QTY	REV	U/M	DWG SIZE	PART NO	DESCRIPTION	ITEM NO
						70
						69
						68
						67
						66
						65
						64
						63
						62
						61
						60
						59
						58
						57
REF	-	B		694433-8	PAWL, FEED	56
						55
						54
						53
						52
1	-	A		811242-2	BUMPER, HOLDDOWN	51
1	-	A		690753-1	SPACER, TONKER	50
						49
1	-	A		690602-6	CAM, PRE-FEED 1.62 STROKE	48
						47
						46
1	-	A		690191-1	PLUG, NYLON	45
1	-	C		455673-1	RAM	44
1	-	A		690125-1	WASHER, LAMINATED	43
1	-	A		690124-1	WASHER, RAM	42
1	-	A		7-21002-9	BOLT, CRIMPER (5/16x1.00)	41
1	-	A		23241-6	BALL, STEEL	40
1	-	A		690170-1	SPRING, COMPRESSION	39
1	-	C		690142-1	DISC, INSULATION	38
1	-	D		354777-1	WIRE DISC, PLASTIC	37
1	-	A		22480-5	WASHER, SPRING	36
1	-	B		690212-1	POST, RAM	35
1	-	B		690786-3	SUPPORT, TERMINAL	34
1	-	C		462544-1	PLATE, BASE SPECIAL	33
1	-	A		690432-3	SCREW, ADJUSTMENT	32
1	-	B		462543-1	BLOCK, SCREW SPECIAL	31
1	-	B		455689-1	BLOCK, STRIP GUIDE ADJ	30
1	-	C		458144-1	PLATE, STRIP GUIDE	29
1	-	C		1-455888-5	SPACER, FRONT SHEAR DEP	28
2	-	A		1-22284-0	SPRING, DRAG	27
1	-	B		240793-1	LEVER, DRAG RELEASE	26
1	-	B		240792-1	DRAG, TERMINAL	25
1	-	D		856873-1	GUIDE, STRIP (REAR)	24
1	-	A		690438-1	GUIDE, STRIP (FRONT)	23
						22
1	-	A		463756-1	GUIDE, SCRAP	21
1	-	A		904275-1	SUPPORT, SPRING	20
REF	-	C		462615-1	STRIPPER	19
						18
						17
						16
						15
						14
						13
1	-	A		5-22280-0	SPRING, SHEAR	12
1	-	B		1-690461-6	STOP, SHEAR (FRONT)	11
1	-	B		462548-1	HOLDER, SHEAR (FRONT) SP	10
1	-	B		462547-3	SHEAR, FLOAT (FRONT) SP	9
1	-	C		662185-7	ANVIL	8
1	-	C		1-240641-1	SPACER, DEPRESSOR (REAR)	7
						6
1	-	A		462838-1	DEPRESSOR, SHEAR (FRONT) SP	5
1	-	B		238011-5	SPACER, BLOCK CRIMPER	4
1	-	C		8-456134-2	CRIMPER, INSULATION	3
1	-	C		455888-8	SPACER, CRIMPER	2
1	-	C		3-456404-1	CRIMPER, WIRE	1

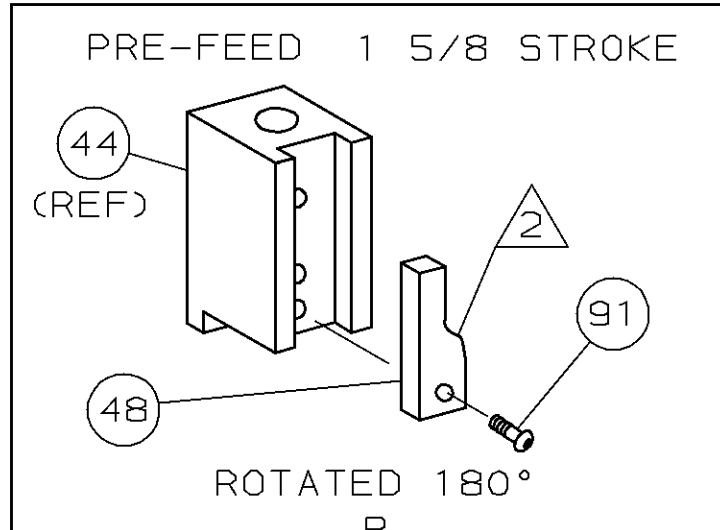
QTY	REV	U/M	DWG SIZE	PART NO	DESCRIPTION	ITEM NO
-1						

QTY REQD PER ASSY		PARTS LIST	

THIS DRAWING IS A CONTROLLED DOCUMENT. ANY INCORPORATED. THE ORGANIZATION SHOULD BE CONTACTED FOR THE LATEST REVISION.

THIS DRAWING IS A CONTROLLED DOCUMENT. ANY INCORPORATED. THE ORGANIZATION SHOULD BE CONTACTED FOR THE LATEST REVISION.

LOC A  
DIST 66



- 1 RECOMMENDED SPARE PARTS.
- 2 GREASE LIGHTLY.
- 3 ITEM NOT SHOWN
- 4 ATTACH ITEM 20 TO ITEM 33 USING ADHESIVE PART NUMBER 28998-6.

- 5 STRIP GUIDE PLATE ADJUSTMENT REQUIRED WHEN SWITCHING TERMINALS. 1550-2060 CMA.
- 6 CUT TO LENGTH AT ASSY.
- 7 CORRECT CRIMP HEIGHT IS ACHIVED BY USING 1780 CMA (+/- 50 CMA) 18 GAUGE WIRE WHEN QUALIFYING.