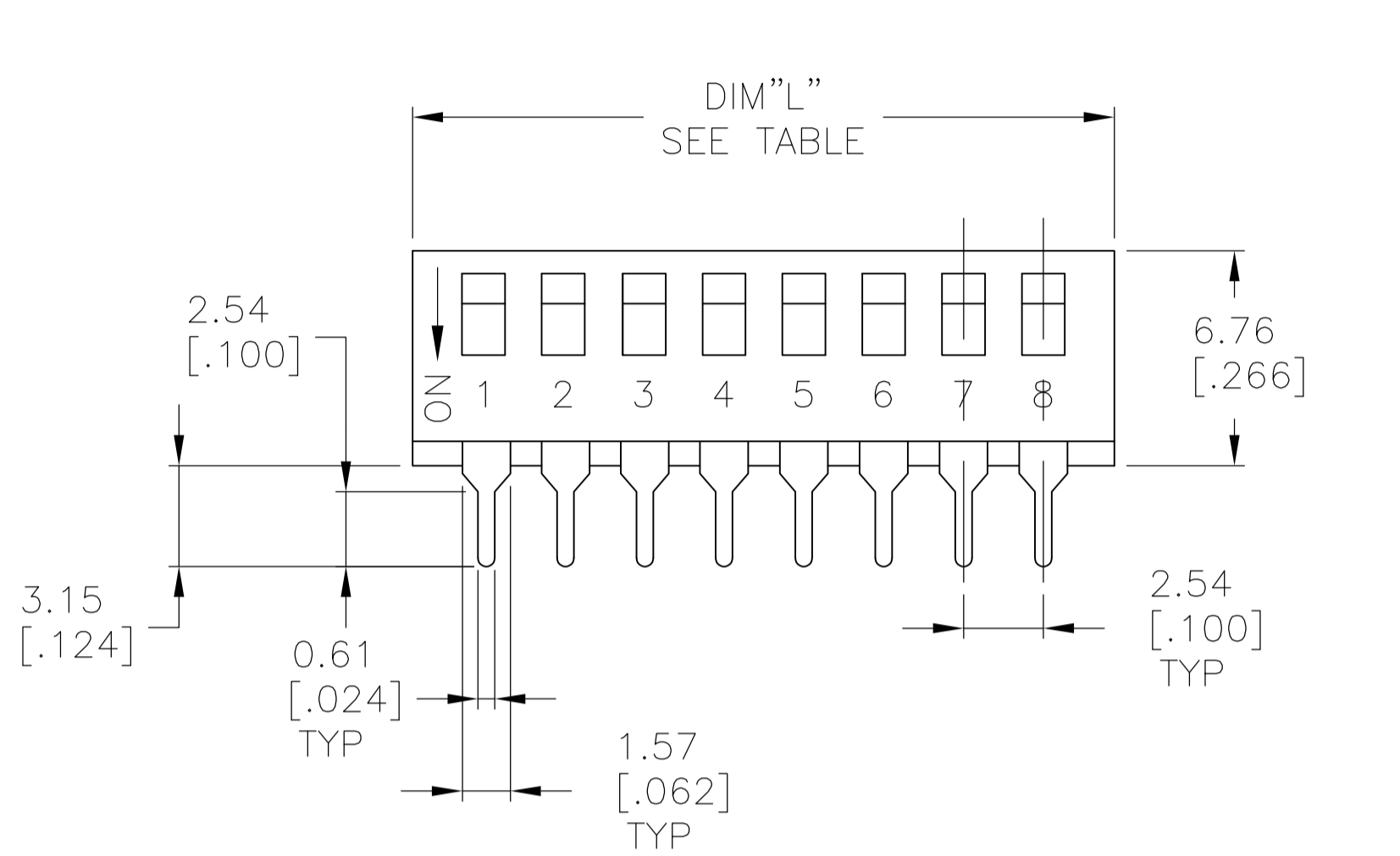
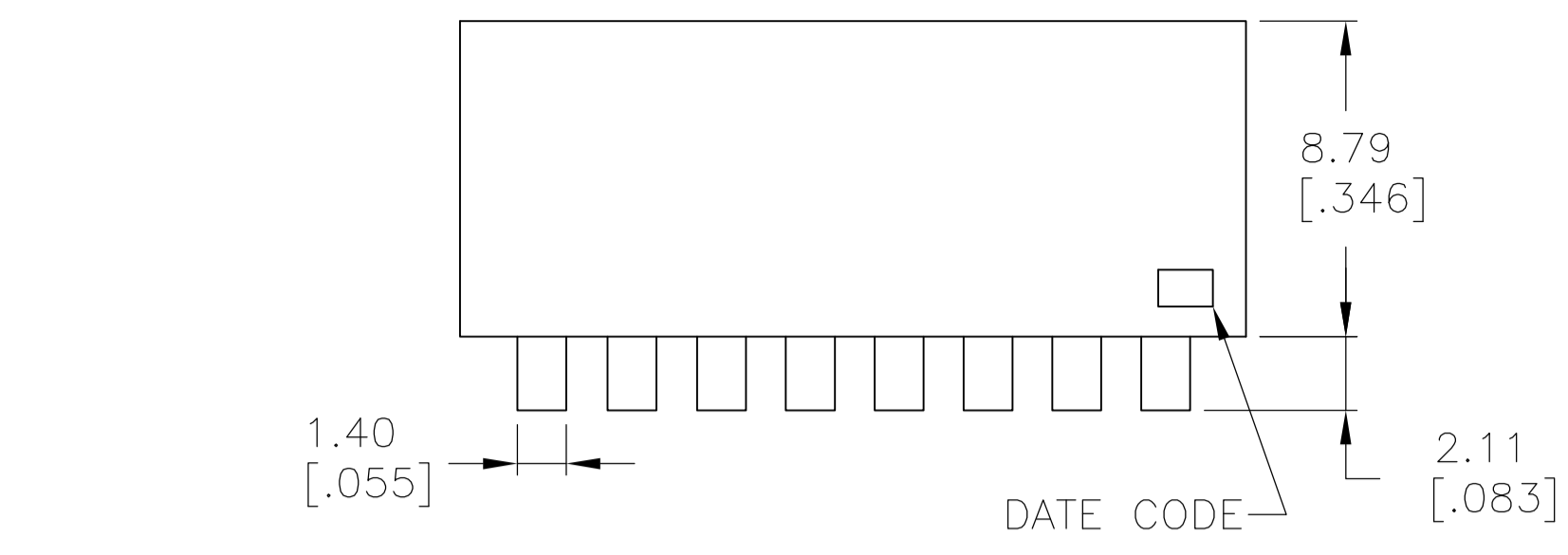
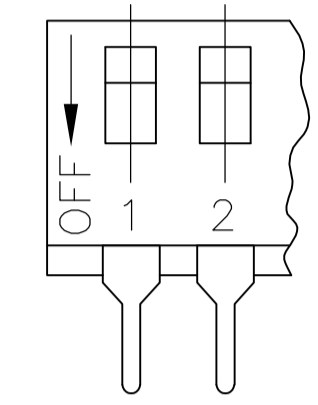
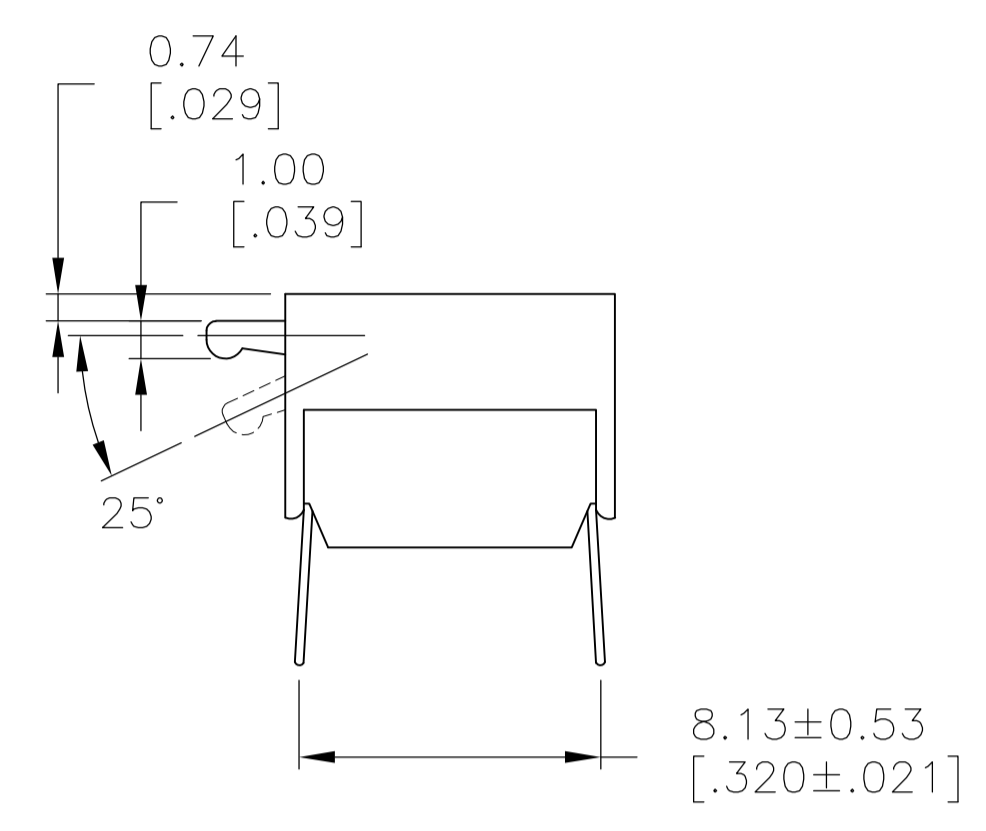


| LOC |     | DIST                      |         | REVISIONS |      |  |  |
|-----|-----|---------------------------|---------|-----------|------|--|--|
| P   | LTR | DESCRIPTION               | DATE    | DMN       | APVD |  |  |
| B   |     | ECO-07-03327              | 12FEB07 | MB        | MS   |  |  |
| B1  |     | REVISED PER ECO-09-024927 | 07NOV09 | KK        | AEG  |  |  |



ARP-STYLE THROUGH HOLE MTG.



ARPA-STYLE

SPECIFICATIONS:

MATERIAL:

BASE, PPS UL94V-0, BLACK  
 COVER, PPS UL94V-0, BLACK  
 ACTUATOR, PA6T UL94V-0, WHITE  
 FIXED CONTACT/TERMINAL, COPPER ALLOY, PLATE-GOLD/NICKEL  
 MOVING CONTACT, COPPER ALLOY, PLATE-GOLD/NICKEL

ELECTRICAL:

CONTACT RATING SWITCHING, 0.4 VA @ 20V DC  
 INITIAL CONTACT RESISTANCE, 50 MILLIOHMS MAX.  
 INSULATION RESISTANCE, 100 MEGOHMS MIN. @ 100V DC.  
 DIELECTRIC STRENGTH, 500V AC RMS @ SEA LEVEL  
 LIFE, 5,000 CYCLES

MECHANICAL:

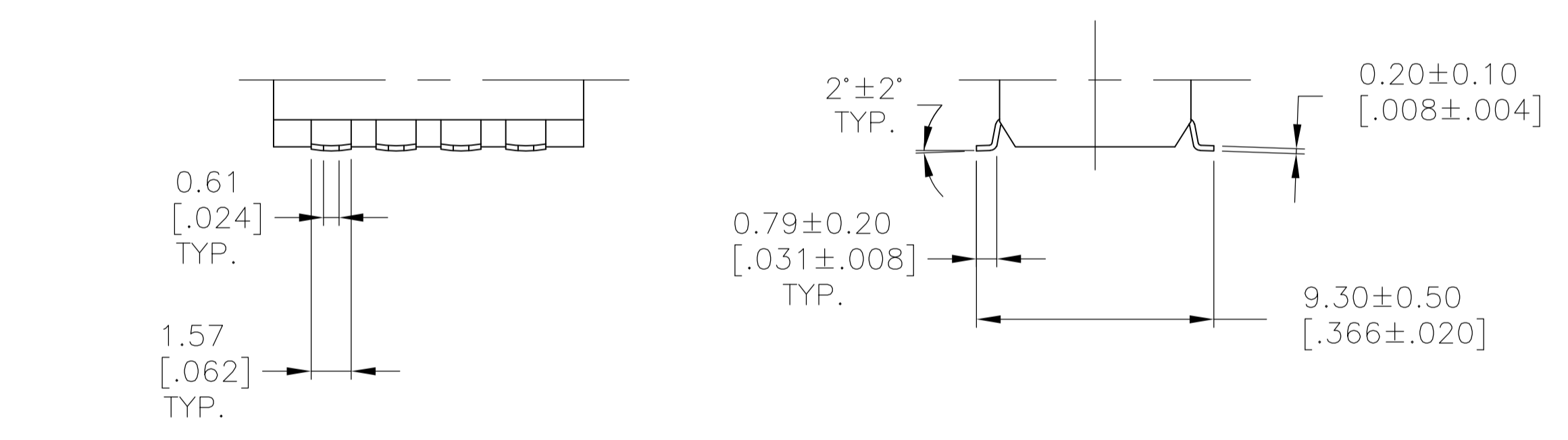
OPERATING FORCE, LESS THAN 800 GRAMS  
 TRAVEL, 25 DEGREES

ENVIRONMENTAL:

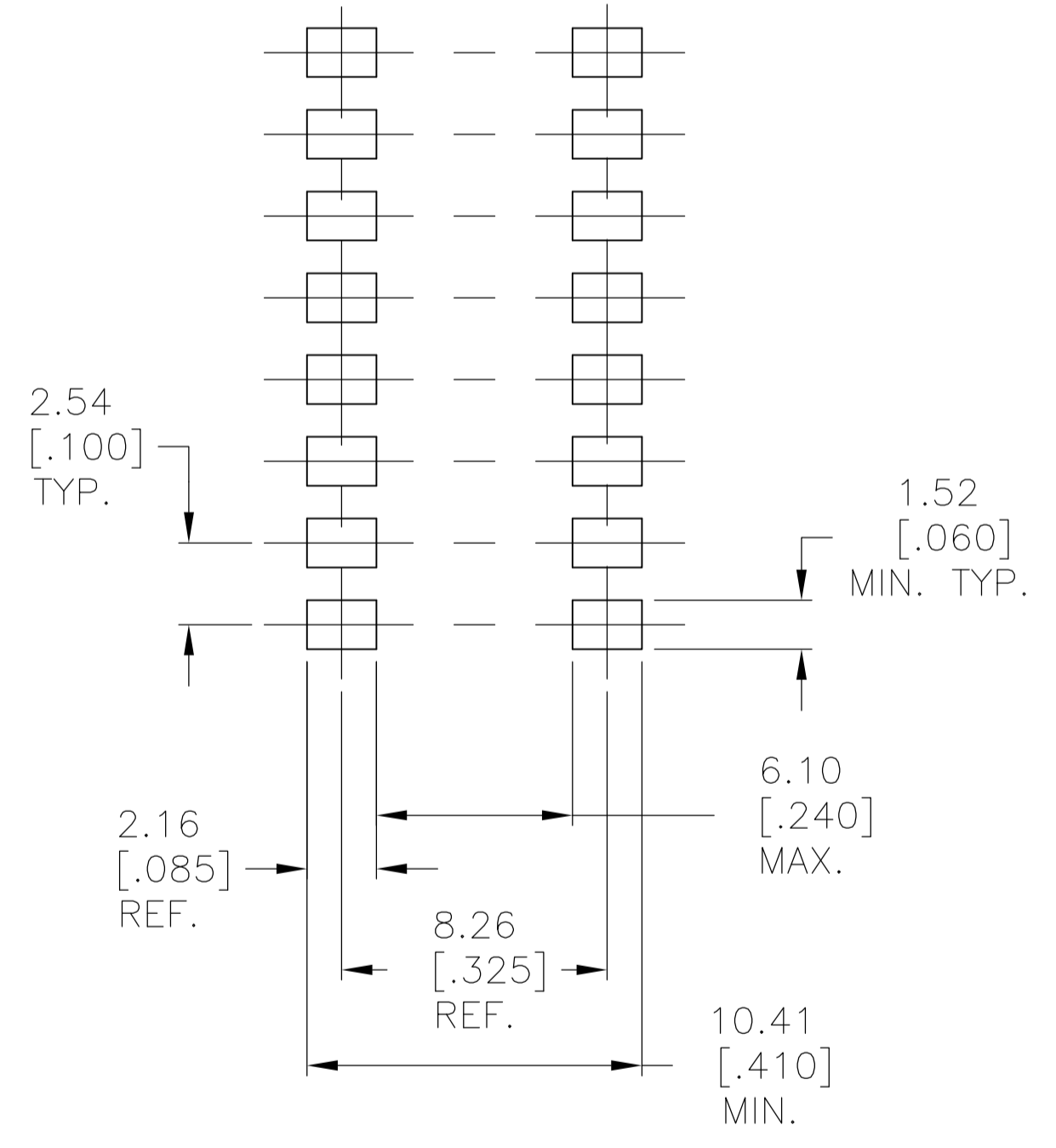
OPERATING TEMPERATURE: -30 TO +85 DEGREES C  
 STORAGE TEMPERATURE: -45 TO +100 DEGREES C  
 CLEANING, AQUEOUS OR SOLVENT  
 SOLDER HEAT RESISTANCE, 265 DEGREES C±3 DEGREES C WITHIN 8 SECONDS ± 2 SECONDS  
 SOLDERABILITY- PER JIS-C-0050 & JIS-C-00053

NOTES:

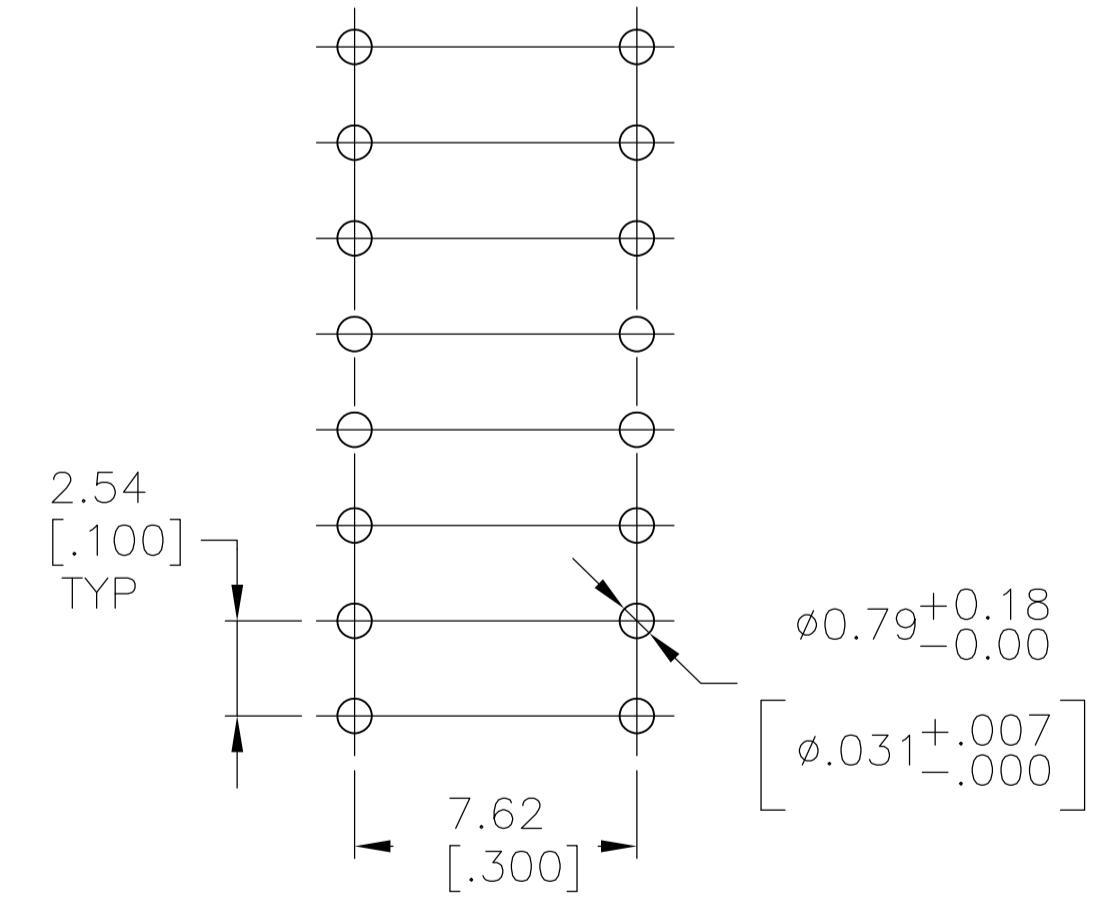
- ALL MATERIALS AND FINISHES SHALL COMPLY WITH EU DIRECTIVE 2002/95/EC OF 27JAN2003 (ROHS)
- SWITCHES TO HAVE WHITE ACTUATORS AND MARKINGS.
- SWITCHES SUPPLIED IN THE "OFF" POSITION AND PACKAGED IN CLEAR TUBES TO ACCOMMODATE AUTO-INSERTION.
- OBsolete PARTS: OBSOLETE CIS STREAMLINING PER D.RENAUD/D.SINISI



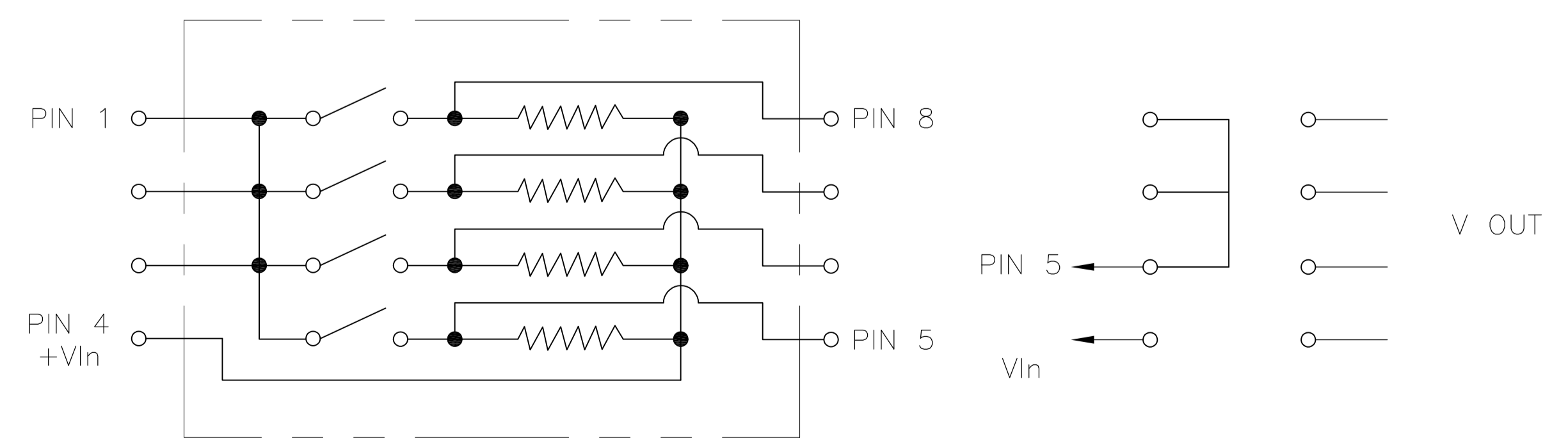
SURFACE MOUNT "S" TERMINAL



RECOMMENDED PAD LAYOUT SURFACE MOUNT OUTSIDE "S"



P.C. HOLE LAYOUT



|              |            |                           |             |
|--------------|------------|---------------------------|-------------|
| 24V          | ±5% @ 85°C | 3.3kΩ(RED)<br>10kΩ(GREEN) | 125mW       |
| MAX. VOLTAGE | TOLERANCE  | RESISTANCE                | RATED POWER |

|   |          |           |             |       |             |             |
|---|----------|-----------|-------------|-------|-------------|-------------|
| 4 | OBsolete | THRU-HOLE | 22.30[.878] | 8     | ARPA0810K04 | 1825429-2   |
|   |          | SMT       | 22.30[.878] | 8     | ARP0810KS04 | 1825429-1   |
|   |          | MOUNTING  | DIM L       | POLES | T&B P/N     | PART NUMBER |

|  |  |           |   |   |  |
|--|--|-----------|---|---|--|
| THIS DRAWING IS A CONTROLLED DOCUMENT. |  | DWG CMM   | - | Tyco Electronics Corporation<br>Harrisburg, PA 17105-3608 |  |
| DIMENSIONS: mm [INCHES]                |  | CHK       | - | NAME  |  |
| TOLERANCES UNLESS OTHERWISE SPECIFIED: |  | APVD      | - | PRODUCT SPEC  |  |
| 0 PLC ± -                              |  |           |   | APPLICATION SPEC  |  |
| 1 PLC ± -                              |  |           |   | SIZE  |  |
| 2 PLC ± 0.30[.012]                     |  |           |   | CASE CODE   |  |
| 3 PLC ± -                              |  |           |   | DRAWING NO  |  |
| 4 PLC ± -                              |  |           |   | RESTRICTED TO   |  |
| ANGLES ± °                             |  |           |   | SCALE   |  |
| MATERIAL                               |  | FINISH    |   | WEIGHT  |  |
|  |  |           |   | A1 00779 ©=1825429  |  |
| CUSTOMER DRAWING                       |  | SCALE 4:1 |   | SHEET 1 of 1 REV B1                                       |  |