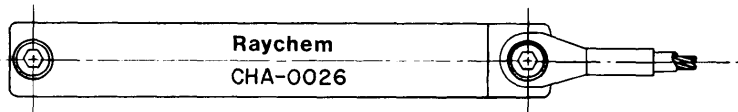
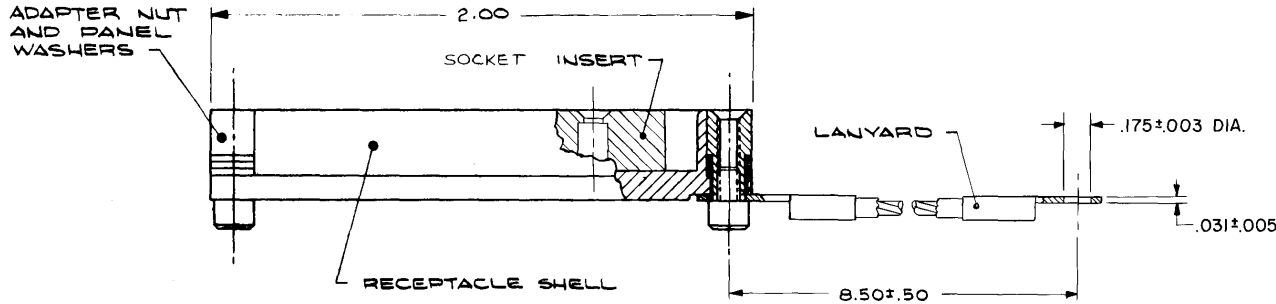
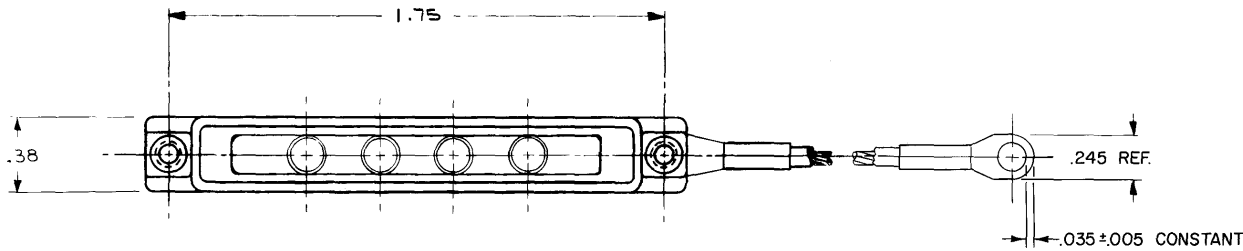


REVISIONS			
LTR	DESCRIPTION	DATE	APPROVED
A	CHG'D PER DCO #T- 3343	W.J. 1/11/80	JB



NOTES:

1. SEALING:

PROTECTIVE CAP DESIGNED TO ENVIRONMENTALLY SEAL THE MATING PLUG CONNECTOR 1" MTC COAX SERIES WITH PIN CONTACTS.

2. MATERIALS AND FINISHES:

RECEPTACLE SHELL: ALUMINUM ALLOY PER QQ-A-591 OR QQ-A-225, NICKEL PLATED PER MIL-C-26074.

SOCKET INSERT: HARD PLASTIC PER MIL-M-14, TYPE MFH.

LANYARD: STAINLESS STEEL PER QQ-S-766, PASSIVATED.

ADAPTER NUT AND PANEL WASHERS: STAINLESS STEEL PER QQ-S-766, PASSIVATED.

SPECIFICATION CONTROL DRAWING

UNLESS OTHERWISE SPECIFIED DIMENSIONS ARE IN INCHES AND TOLERANCES ARE XXX ± .010 XX ± .015 — ± .015	DRAWN	W.V.J.	8-14-80	RAYCHEM <small>RAYCHEM CORPORATION 300 CONSTITUTION DRIVE MENLO PARK, CALIFORNIA 94025</small>			
	CHECKED	JB					
	APPROVED	JB	10/2/80	TITLE PROTECTIVE CAP, RECEPTACLE WITH SOCKET INSERT 1-INCH MTC COAX SERIES			
	APPROVED	W.J.	12-1-81				
MATERIAL	—			SIZE	CODE IDENT	DWG NO	
FINISH	—			C	NO 06090	CHA-0026	
	PROJECT			SCALE	—	WEIGHT	—
						SHEET	1 OF 1

**If this document is printed it becomes uncontrolled.
Check with the web for latest revision.**