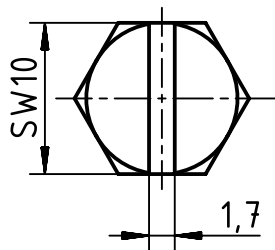
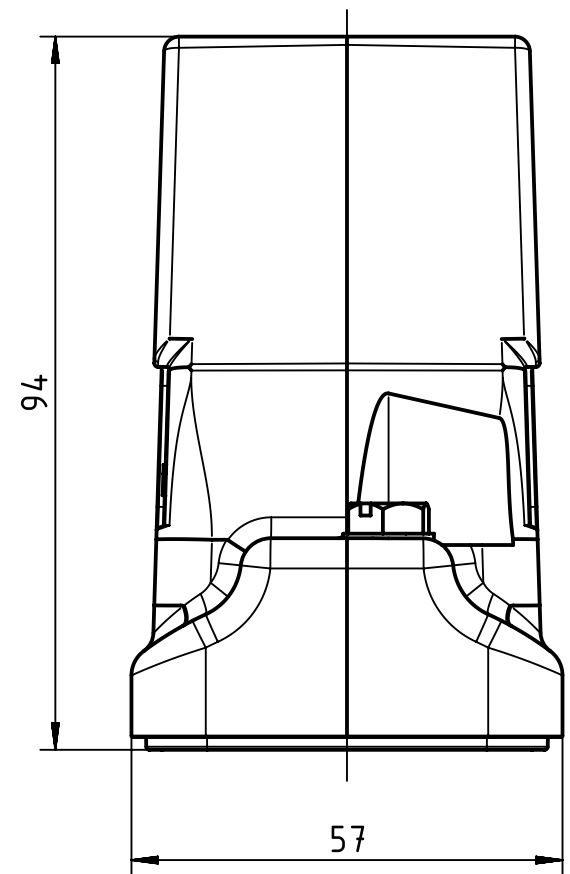
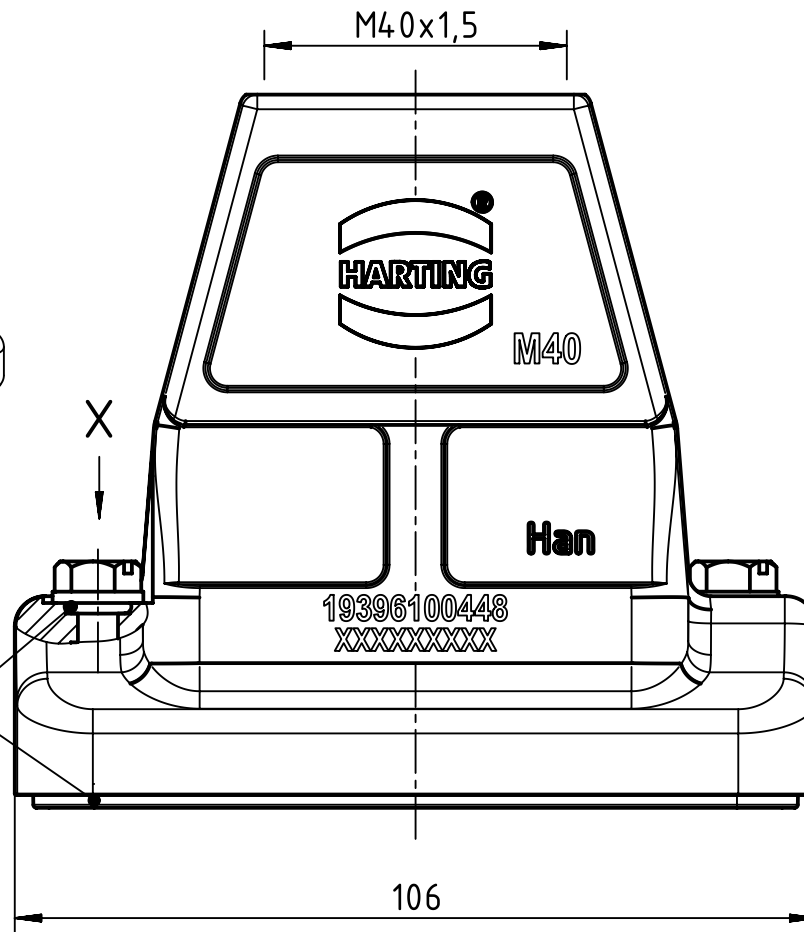
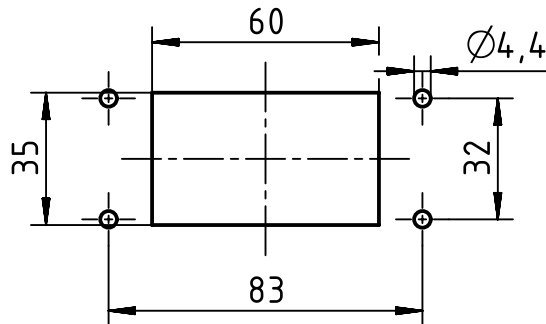


X (2:1)



Panel cut out (1:2)



	All Dimensions in mm Original Size DIN A4		Scale 1:1	Free size tol.		Ref.
	All rights reserved Department EL PD - CN		Created by LONGL	Inspected by WENE	Standardisation SCHMIDTM	Sub.
HARTING (Zhuhai) Manufacturing Co., Ltd. 519085 Zhuhai, China			Title Han 10HP Direct/B-HTE-M40			Date 2017-03-20
			Type TB	Number 19 39 610 0448		State Final Release
					Doc-Key / ECM-Nr. 100632975/UGD/005/D 500000116960	Rev. D
					Page 1/1	