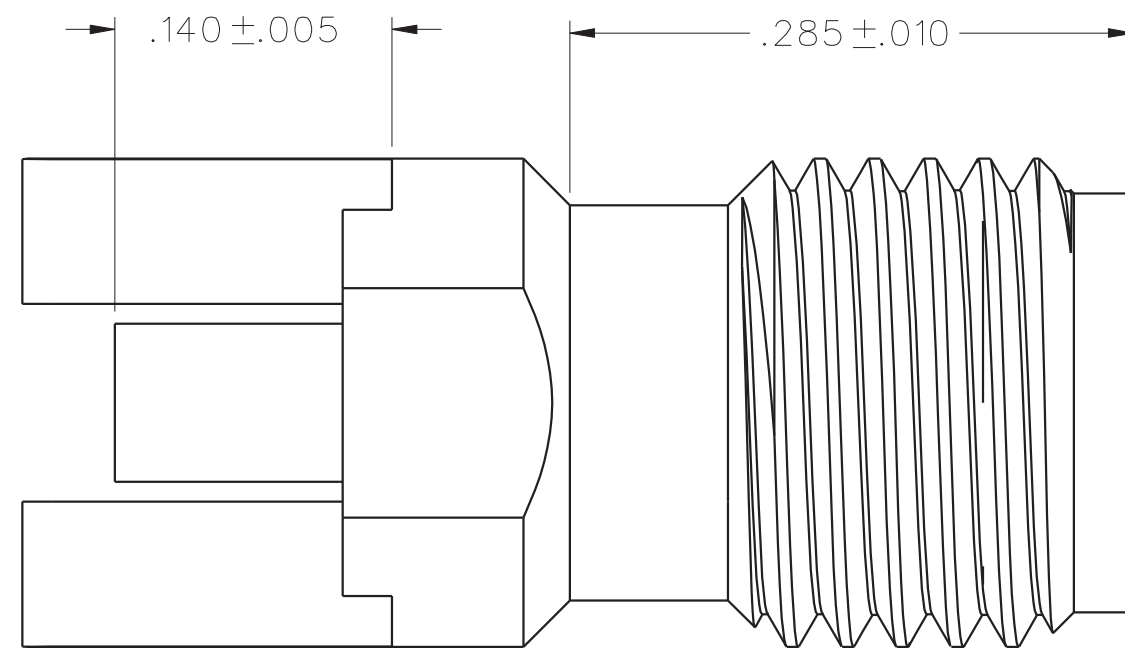
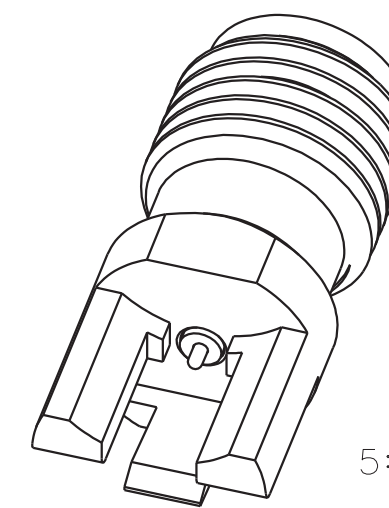
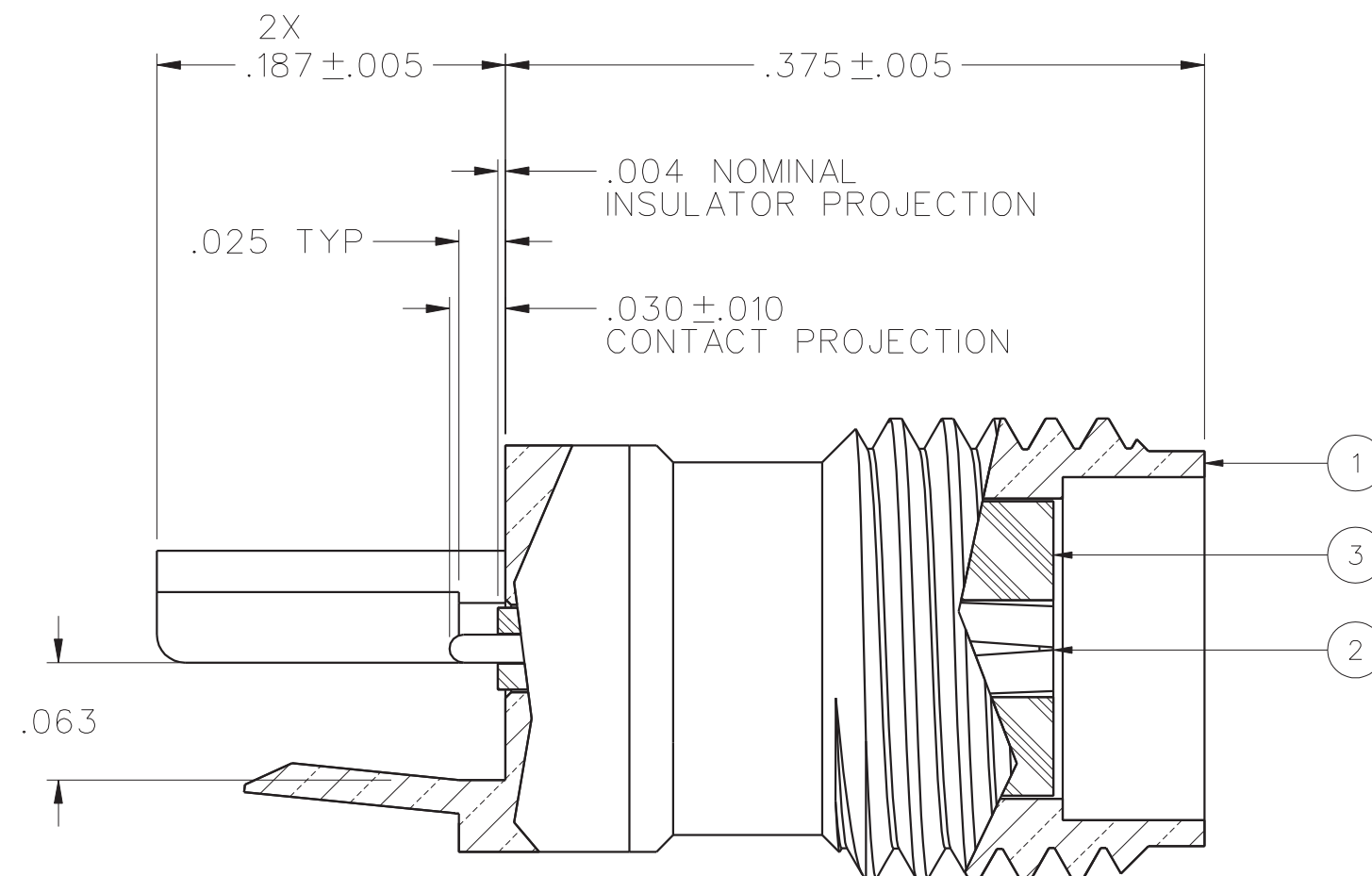
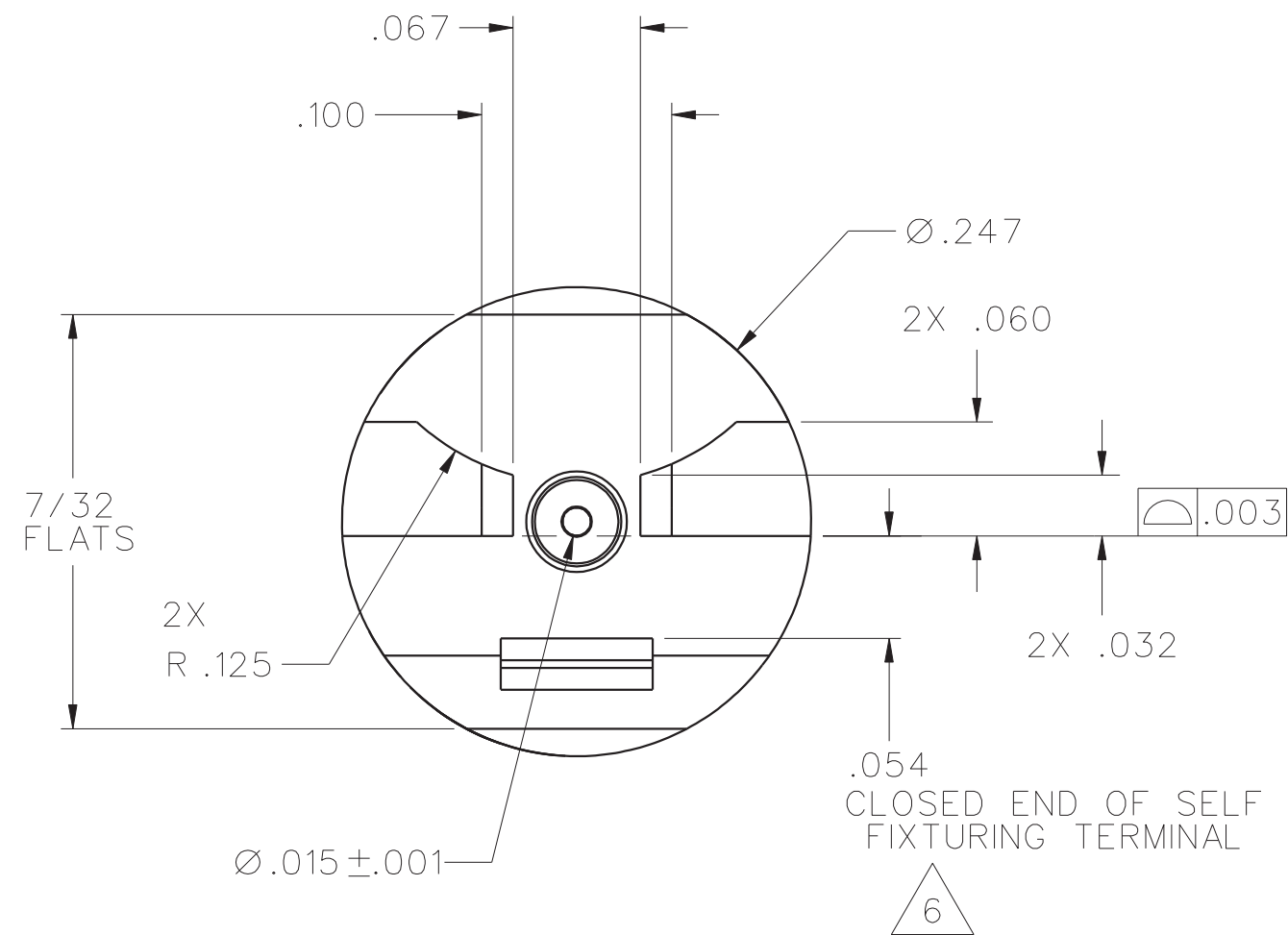


PART NUMBER 142-1701-831	ITEM ① BODY BRASS GOLD PL .00001 MIN OVER NICKEL PL .0001 MIN OVER COPPER PL .00005 MIN	ITEM ② CONTACT BERYLLIUM COPPER GOLD PL .00005 MIN OVER NICKEL PL .00005 MIN OVER COPPER PL .00005 MIN	ITEM ③ INSULATOR TEFLON
-----------------------------	--	---	-------------------------------



NOTES:

1. SPECIFICATIONS:

IMPEDANCE: 50 OHMS  
 FREQUENCY RANGE: 0-26.5 GHz  
 VSWR: 1.05+.02F(GHz) MAX AT 0-18 GHz, TYPICALLY < 1.50 AT 18-26.5 GHz  
 WORKING VOLTAGE: 170 VRMS MAX AT SEA LEVEL  
 DIELECTRIC WITHSTANDING VOLTAGE: 500 VRMS MIN AT SEA LEVEL  
 INSULATION RESISTANCE: 1000 MEGOHM MIN  
 CONTACT RESISTANCE:  
 CENTER CONTACT - INITIAL 3.0 MILLIOHM MAX, AFTER ENVIRONMENTAL 4.0 MILLIOHM MAX  
 OUTER CONDUCTOR - INITIAL 2.0 MILLIOHM MAX AFTER ENVIRONMENTAL NOT APPLICABLE  
 CORONA LEVEL: 125 VOLTS MIN AT 70,000 FEET  
 INSERTION LOSS: NOT APPLICABLE (DEPENDANT UPON APPLICATION)  
 RF LEAKAGE: NOT APPLICABLE  
 RF HIGH POTENTIAL WITHSTANDING VOLTAGE: 335 VRMS MIN AT 4 AND 7 MHz

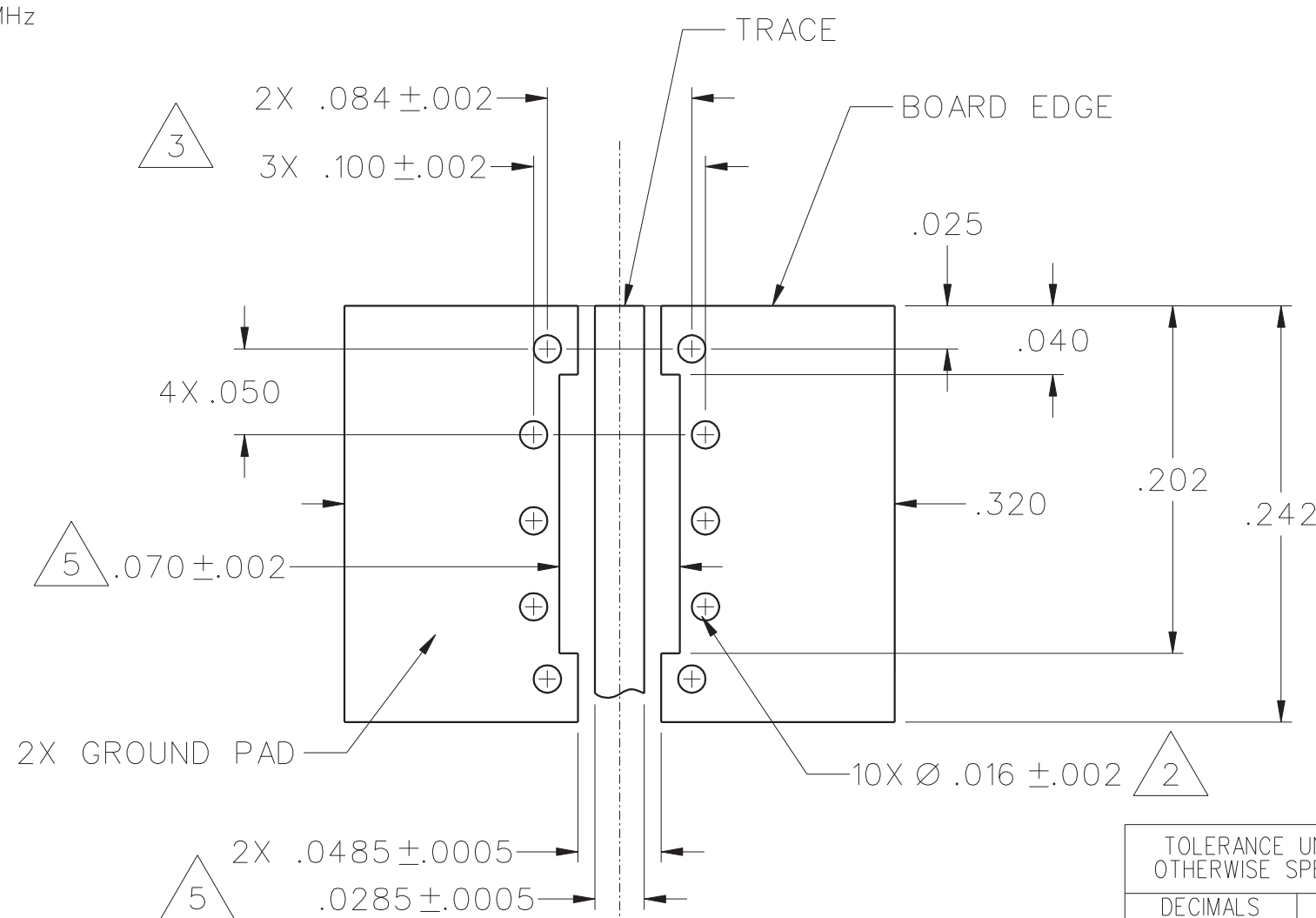
MECHANICAL:

ENGAGE/DISENGAGE TORQUE: 2 INCH-POUNDS MAX  
 MATING TORQUE: 7-10 INCH POUNDS WHEN BODY SUPPORTED WITH WRENCH  
 CONTACT RETENTION: 6 LBS MIN AXIAL FORCE ON MATING END  
 4 IN-OZ MIN RADIAL TORQUE  
 DURABILITY: 500 CYCLES MIN

ENVIRONMENTAL:

(MEETS OR EXCEEDS THE APPLICABLE PARAGRAPH OF MIL-PRF-39012)  
 THERMAL SHOCK: MIL-STD-202, METHOD 107, CONDITION B, EXCEPT 115°C HIGH TEMP  
 OPERATING TEMPERATURE: -65 DEG C TO 165 DEG C  
 CORROSION: MIL-STD-202, METHOD 101, CONDITION B  
 SHOCK: MIL-STD-202, METHOD 213, CONDITION I  
 VIBRATION: MIL-STD-202, METHOD 204, CONDITION D  
 MOISTURE RESISTANCE: MIL-STD-202, METHOD 106

- ②. ALL HOLES PLATED THRU ENTIRE CIRCUIT BOARD STACKUP.
- ③. HOLE PATTERNS SYMMETRICAL ABOUT CENTER OF CPW TRACE.
- 4. FOR OPTIMUM CIRCUIT BOARD HIGH FREQUENCY PERFORMANCE:
  - A. MAINTAIN SOLID GROUND PLANE BELOW HF SUBSTRATE.
  - B. CONTROL PULLBACK OF TRACE AND GROUND FROM BOARD EDGE.
  - C. CONTINUE GROUNDED COPLANAR LINE BEYOND GROUND PADS.
  - D. PLACE 16 MIL DIA GROUND VIAS ON BOTH SIDES OF COPLANAR WAVEGUIDE LINE AT 50 MIL INTERVALS ALONG ENTIRE LENGTH.
  - E. IMMERSION GOLD PLATE (ENIG) ALL CONDUCTORS PER IPC-4552.
- ⑤. REFERENCE DIMENSIONS FOR 50 OHM GROUNDED CPW LINE, USING ROGERS RO4003, 16 MIL HIGH FREQUENCY CIRCUIT BOARD SUBSTRATE:
  - TRACE WIDTH = 28.5 MILS
  - GROUND GAPS = 10 MILS
  - CONDUCTOR THICKNESS = 1.4 MIL (INCLUDES PLATING)
- ⑥. ALL CONNECTOR TERMINALS ARE INTENDED TO BE SOLDERED TO CIRCUIT BOARD.
- 7. EMERSON NETWORK POWER CONNECTIVITY SOLUTIONS HIGH FREQUENCY END LAUNCH CONNECTORS ARE COVERED UNDER US PATENT NUMBER 7,344,381 AND 7,500,855.



MOUNTING FOOTPRINT  
 10:1 (TOP VIEW, INCLUDING TRACE DIMENSIONS)

DRAWING NO.  
 C - 142-1701-831/840

0 REVISIONS

ENGINEERING RELEASE

1	3-15-10	C	W	S	R	M	3-16-10
		W	W	J	J	J	ECO 52194

CUSTOMER DRAWING

THIS DRAWING TO BE INTERPRETED PER ASME Y 14.5M - 1994

"μSTATION"

COMPANY CONFIDENTIAL

TOLERANCE UNLESS OTHERWISE SPECIFIED		DRAWN BY RJB	DATE 3-11-10
DECIMALS	mm	CHECKED BY CWW	DATE 3-16-10
.XX	—	APPROVED BY	DATE
.XXX ±.003	—	RELEASE DATE	3-16-10
MATL	—	U/M	INCH
FINISH	—	SCALE	10:1

**cinch** Connectivity Solutions  
 P.O. Box 1732  
 Waseca, MN 56093  
 1-800-247-8256

TITLE SMA JACK END LAUNCH, SELF FIXTURE, HIGH FREQUENCY, .015 PIN, .016 CIRCUIT DIELECTRIC, .059 BOARD THICKNESS

SHEET 2 OF 2  
 DRAWING NO. C - 142-1701-831/840