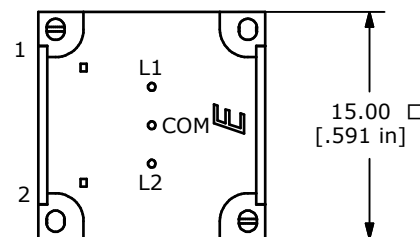
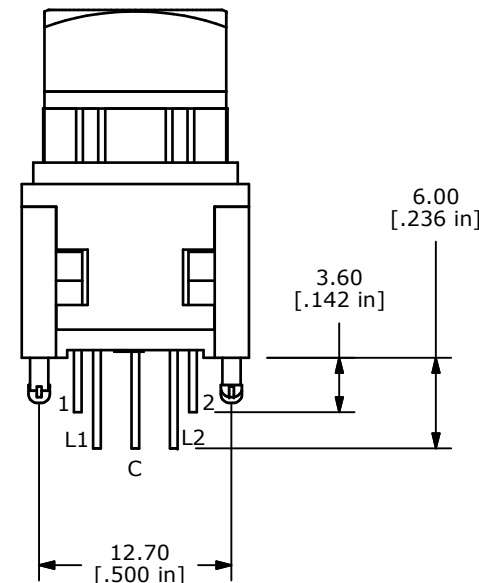
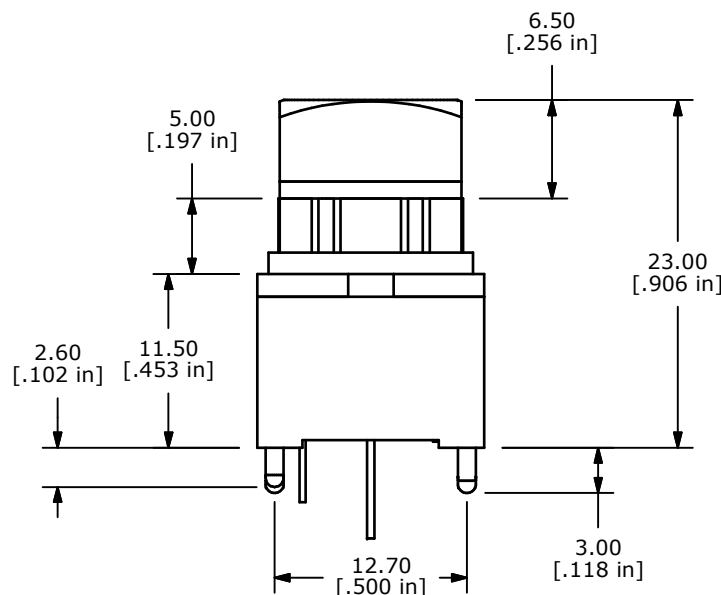
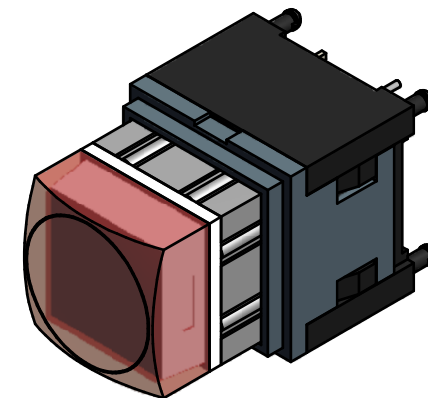
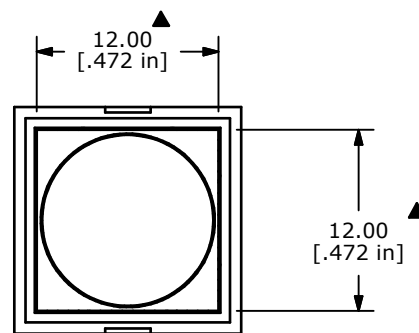


- NOTES:
1. ALL DIMENSIONS IN MM [INCH]
 2. GENERAL TOLERANCE: X.X=±0.4
X.XX=±0.25
 3. TERM. NOS. FOR REFERENCE ONLY.
 4. RATING: 12VDC, 100mA
 5. CONTACT MATERIAL: GOLD PLATED (D)
 6. CONTACT RESISTANCE: 200 MILLI-OHM MAX.
 - ▲ 7. INSULATION RESISTANCE: 500VDC, 100 MEGA-OHM MIN.
 8. OPERATING FORCE: 250±100GF
 9. MECHANICAL LIFE: 1,000,000 CYCLES
 10. OPERATING TEMP: -20°C TO +70°C
 11. LED COLORS: RED - GREEN
 12. TRAVEL: 4.50mm±0.20
 13. 2002/95/EC (ROHS) COMPLIANT
 14. ▲ DENOTES CRITICAL PARAMETER.
 - ▲ 15. SWITCH HAS TACTILE FEEDBACK WHEN ACTUATED.



LED SPECS		UNITS	RED	GREEN
FORWARD CURRENT	mA		25	25
FORWARD VOLTAGE @20mA	V		1.9-2.4	2.0-2.4
LUMINOUS INTENSITY @ 10mA	MCD		xx	250

REV	PCR NO	DESCRIPTION	DATE	BY
D	21454	CHANGE CONTACT MATERIAL TO GOLD	5/13/14	EBP
C	19357	UPDATE HOUSING, COVER, PLUNGER	11/08/10	BMA
B	18254	DESCRIPTION WAS LP210A1NASRG	09/19/08	RC
A	18231	New Release	09/02/08	rc

TITLE LP110A1TASRG

SCALE	2	DATE	9/2/2008	DR	rc	DWG	B231001	REV	D
-------	---	------	----------	----	----	-----	---------	-----	---

THE INFORMATION CONTAINED IN THIS DOCUMENT IS PROPRIETARY TO E-SWITCH AND IS NOT TO BE COPIED OR TRANSFERRED