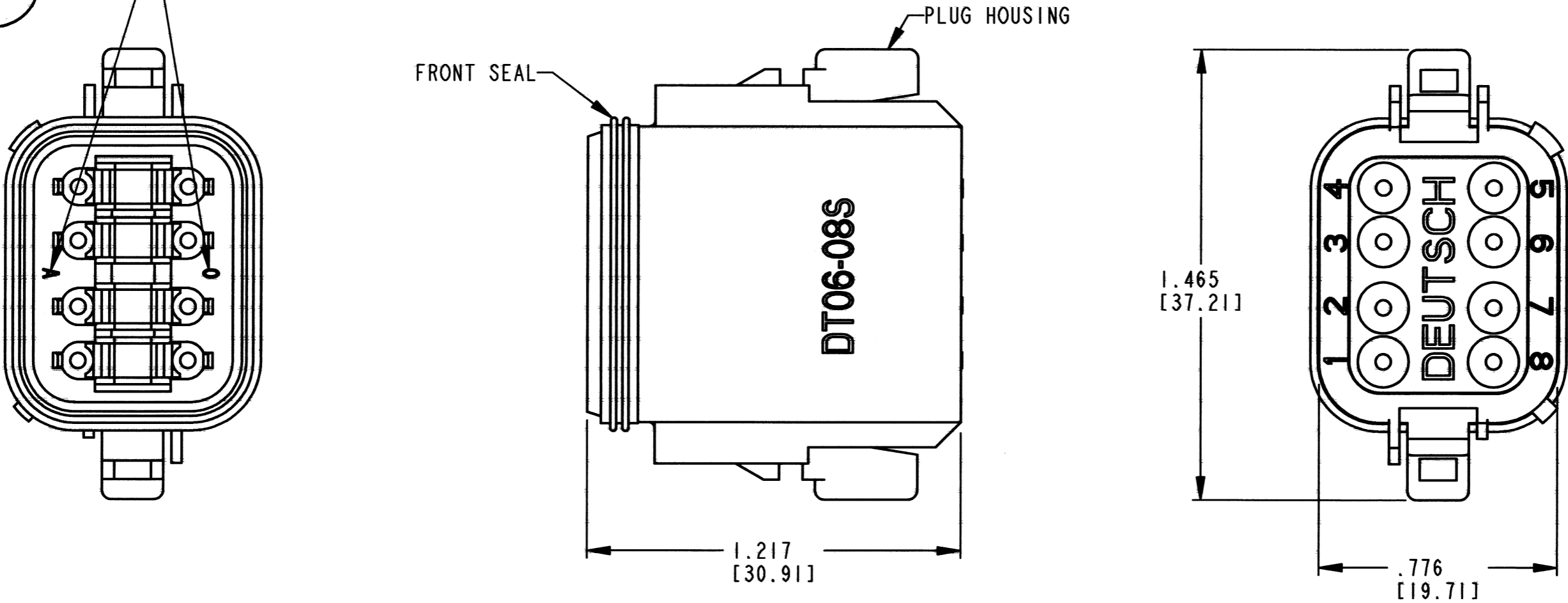


CONTACT SIZE	MIN. INSUL O.D.	MAX. INSUL O.D.	WIRE RANGE [mm ²]
16	.088 [2.24]	.145 [3.68]	14-20 AWG [2.0-0.5]

REV A DT06-08SA-EP07

REVISIONS			
SYM	DESCRIPTION	DATE	APPROVED
NC	NEW RELEASE PER. E.O. P15844	2/4/99	R.D.R.
A	REVISED PER. E.O. P21282	4-12-12	RDR

DATE CODE: YEAR TO BE REPRESENTED BY LAST NUMERICAL DIGIT, EX: 0=2010
 MONTH TO BE REPRESENTED BY ALPHA CHARACTERS, EX: A=JANUARY



- 5. THIS PLUG MATES WITH THE DT04-08PA-****RECEPTACLE. (****=ALL MODIFICATIONS) CONTACT FACTORY FOR MODIFICATION.
- 4. FOR CONTACTS AND WIRE PERFORMANCE AND APPLICATION CHARACTERSTICS SEE ENVELOPE DRAWINGS 0425-015-0000 AND 0425-017-0000.
- 3. MATERIAL - HOUSING: PLASTIC; COLOR: BLACK
SEALS: RUBBER
- 2. ALL DIMENSIONS ARE ±.025[0.63] UNLESS OTHERWISE SPECIFIED.

NOTES: 1. ALL DIMENSIONS ARE IN INCHES [MILLIMETERS].

SIGNATURE & DATE	
DR	S. THEIS 11/25/98
CHK	B. Sanford 4/11/2012
PE	R. Mason 7/8/12
APPD	S. Beard 4/11/12
SCALE 2.5X	WT

8 WAY PLUG
 KEY ARR. -A-
 COLOR: BLACK
 DT SERIES

ENVELOPE

EP	MATL. CODE
3850 INDUSTRIAL AVE. HEMET, CA 92545	
B	DT06-08SA-EP07
DWG SIZE	CODE 11139 SHEET OF

