

LOC	DIST	REVISIONS			
P	LTN	DESCRIPTION	DATE	OWN	APVD
A		INITIAL RELEASE	09MAR2017	JA	DM
B		REVISED PER PCN E-17-010843	21MAR2018	JA	DM

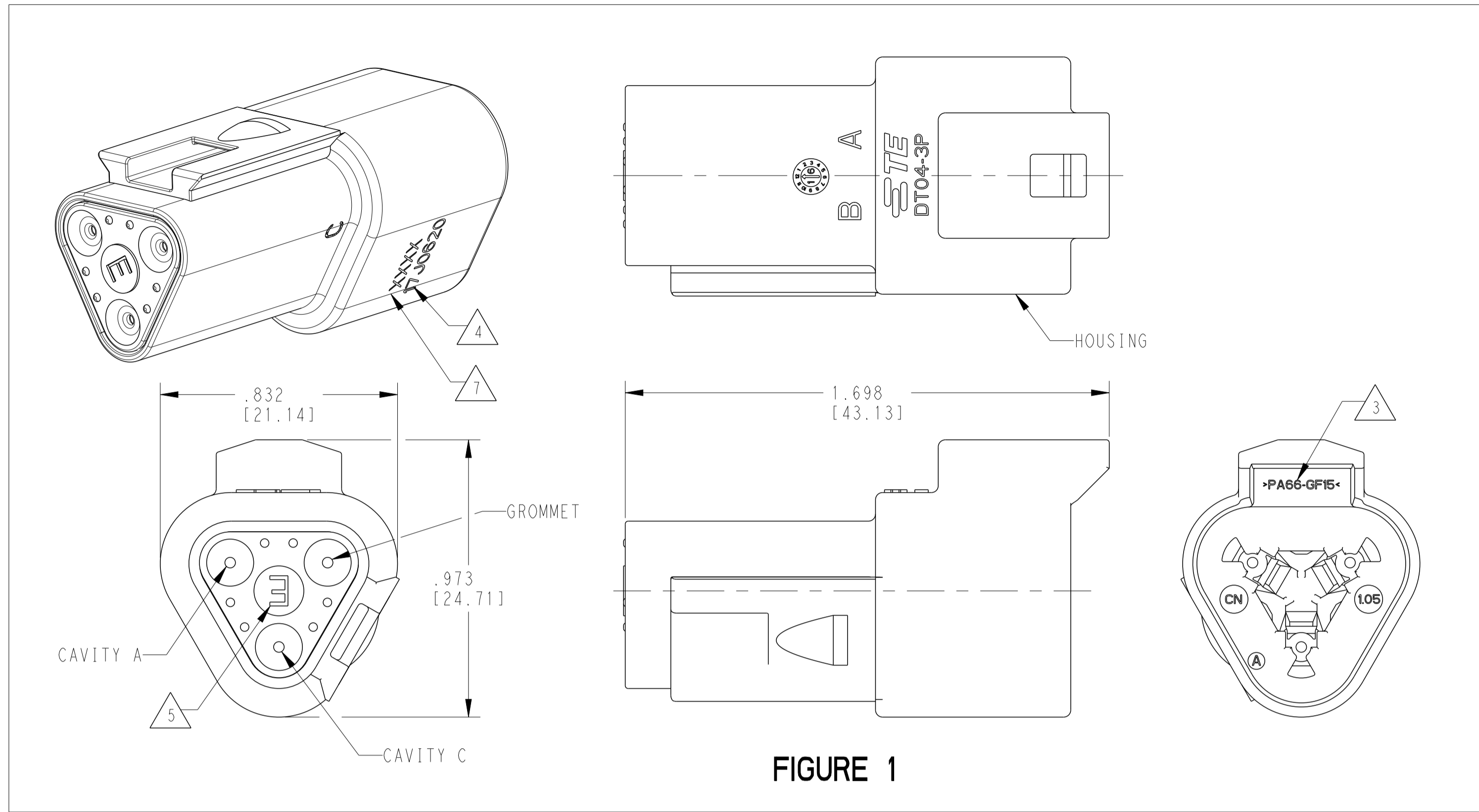


FIGURE 1

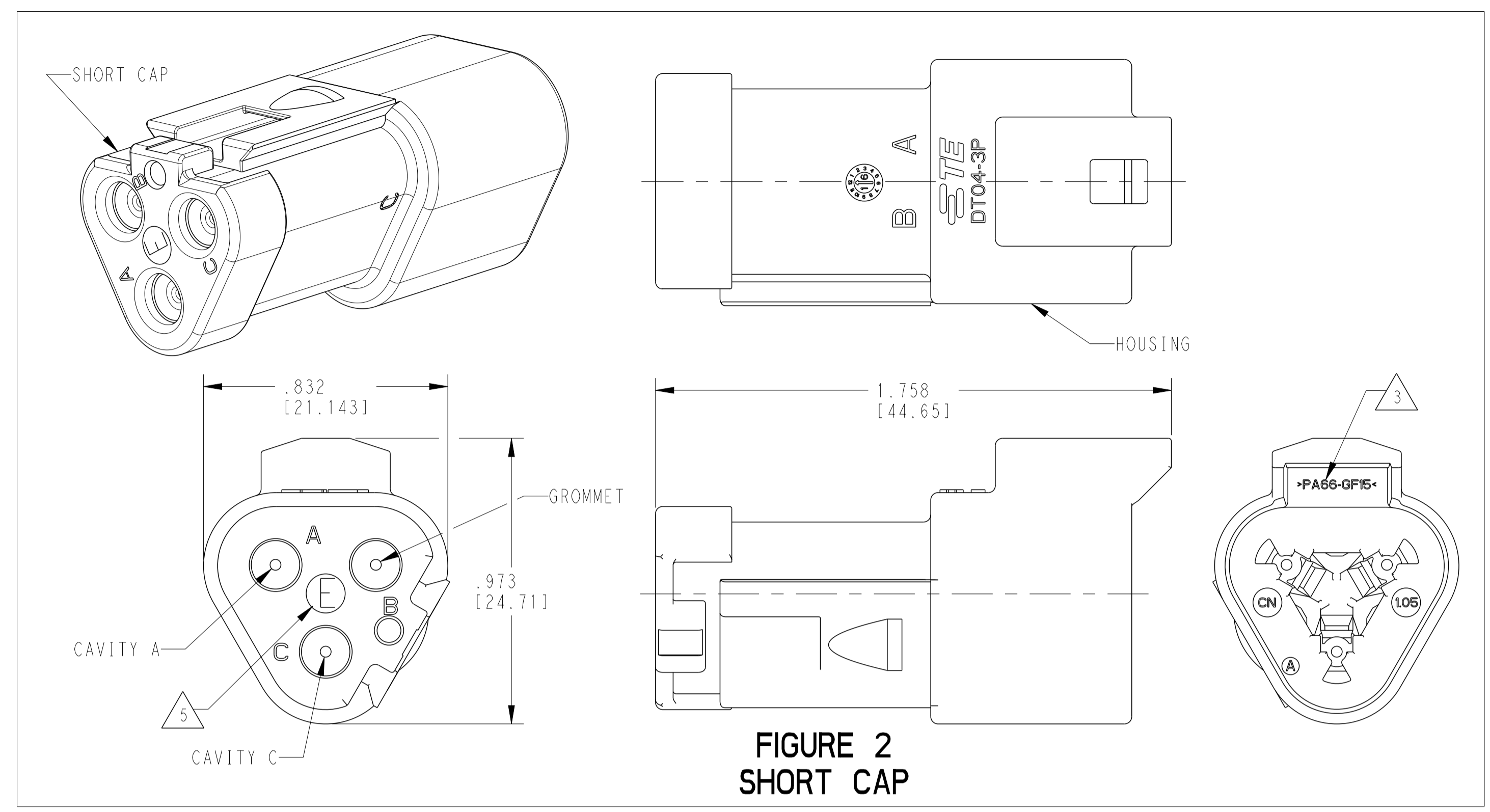


FIGURE 2
SHORT CAP

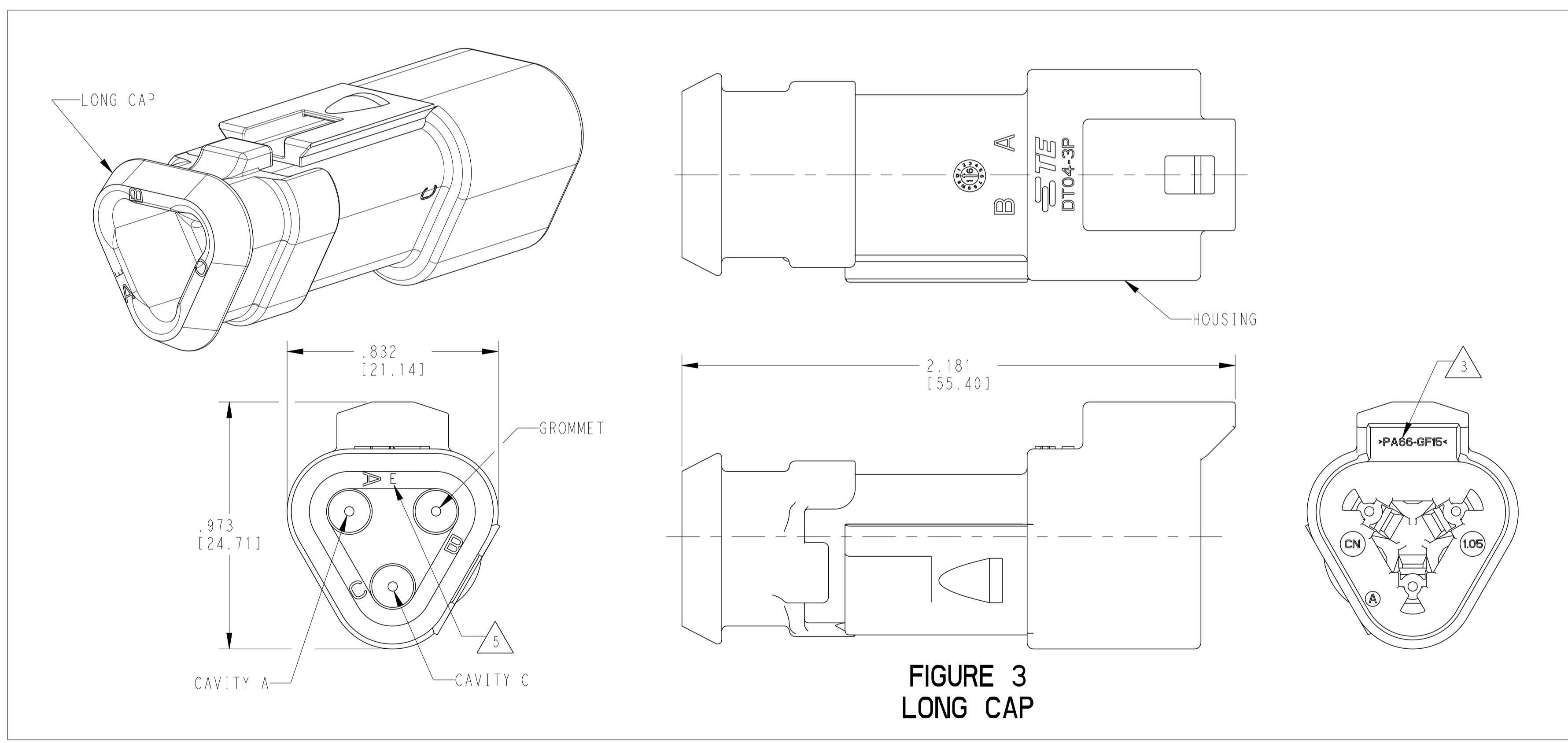


FIGURE 3
LONG CAP

CONTACT SIZE	WIRE RANGE	INSULATION OD SEALING RANGE	SEAL IDENTIFICATION
16	14-20 AWG [2.5-0.5mm ²]	.088-.145 [2.23-3.68]	STANDARD SEAL
		.053-.120 [1.35-3.05]	EXTRA THIN SEAL E-SEAL

TE INTERNAL PART NUMBER	DEUTSCH PART NUMBER	PN REV	COLOR	STANDARD SEAL GROMMET	EXTRA THIN SEAL E-SEAL GROMMET	SHORT CAP	LONG CAP	FIGURE
DT04-3P	DT04-3P	A	GREY	X				1
DT04-3P-C015	DT04-3P-C015	A	GREY		X			1
DT04-3P-CE01	DT04-3P-CE01	A	GREY		X	X		2
DT04-3P-CE04	DT04-3P-CE04	A	GREY		X		X	3
DT04-3P-E003	DT04-3P-E003	A	GREY	X		X		2
DT04-3P-E008	DT04-3P-E008	A	GREY	X			X	3
DT04-3P-EP04	DT04-3P-EP04	B	GREY	X		X		2
DT04-3P-P004	DT04-3P-P004	B	GREY	X				1
DT04-3P-CE02	DT04-3P-CE02	A	BLACK		X			1
DT04-3P-CE03	DT04-3P-CE03	A	BLACK		X	X		2
DT04-3P-CE09	DT04-3P-CE09	A	BLACK		X		X	3
DT04-3P-E004	DT04-3P-E004	A	BLACK	X				1
DT04-3P-E005	DT04-3P-E005	A	BLACK	X		X		2
DT04-3P-EE01	DT04-3P-EE01	A	BLACK	X			X	3

- 7 XXXX IDENTIFIES THE MODIFICATION NUMBER, IF APPLICABLE. EXAMPLE: "E003" FOR DT04-3P-E003, OR BLANK FOR DT04-3P.
- 6. FOR CONTACTS AND WIRE PERFORMANCE AND APPLICATION CHARACTERISTICS SEE CUSTOMER DRAWING 0425-015-0000.
- 5 "E" IDENTIFIES E-SEAL.
- 4 DATE CODE: IDENTIFIES THE YEAR, MONTH, DAY AND HOUR OF ASSEMBLY. YEAR: FIRST AND SECOND DIGITS. (17 = 2017) MONTH: THIRD DIGIT, EXCLUDING 1. A = JAN, B = FEB, C = MARCH ... (K = OCTOBER) DAY: FOURTH AND FIFTH DIGITS (14 = 14th DAY) HOUR: SIXTH AND SEVENTH DIGITS (11 = 11AM)

- 3 MATERIAL: HOUSING: PA66 GF15, SEE TABLE FOR COLOR SHORT, LONG CAP: PA66 GF15, SEE TABLE FOR COLOR GROMMET: VMQ (RED-ORANGE)
 - 2. THIS RECEPTACLE MATES WITH DT06-3S-XXXX PLUG. (XXXX = ALL MODIFICATIONS)
 - 1. SECONDARY WEDGE LOCK SOLD SEPARATELY: W3P-XXXX. (XXXX = ALL MODIFICATIONS)
- NOTES: UNLESS OTHERWISE SPECIFIED

THIS DRAWING IS A CONTROLLED DOCUMENT. DWG: J. JAIME C. APOSTOL 12 JUL 2016
CHK: D. MEYER 12 JUL 2016
APVD: D. MEYER 12 JUL 2016

STE TE Connectivity

NAME: 3 WAY RECEPTACLE, STANDARD SEAL EXTRA THIN SEAL, SHORT CAP AND LONG CAP, DT SERIES

PRODUCT SPEC: 108-151009
APPLICATION SPEC: 0425-017-0000

SIZE: A1 CAGE CODE: 4AFU8 DRAWING NO: DT04-3P-XXXX
WEIGHT: -

CUSTOMER DRAWING SCALE: 3:1 SHEET 1 OF 1 REV B