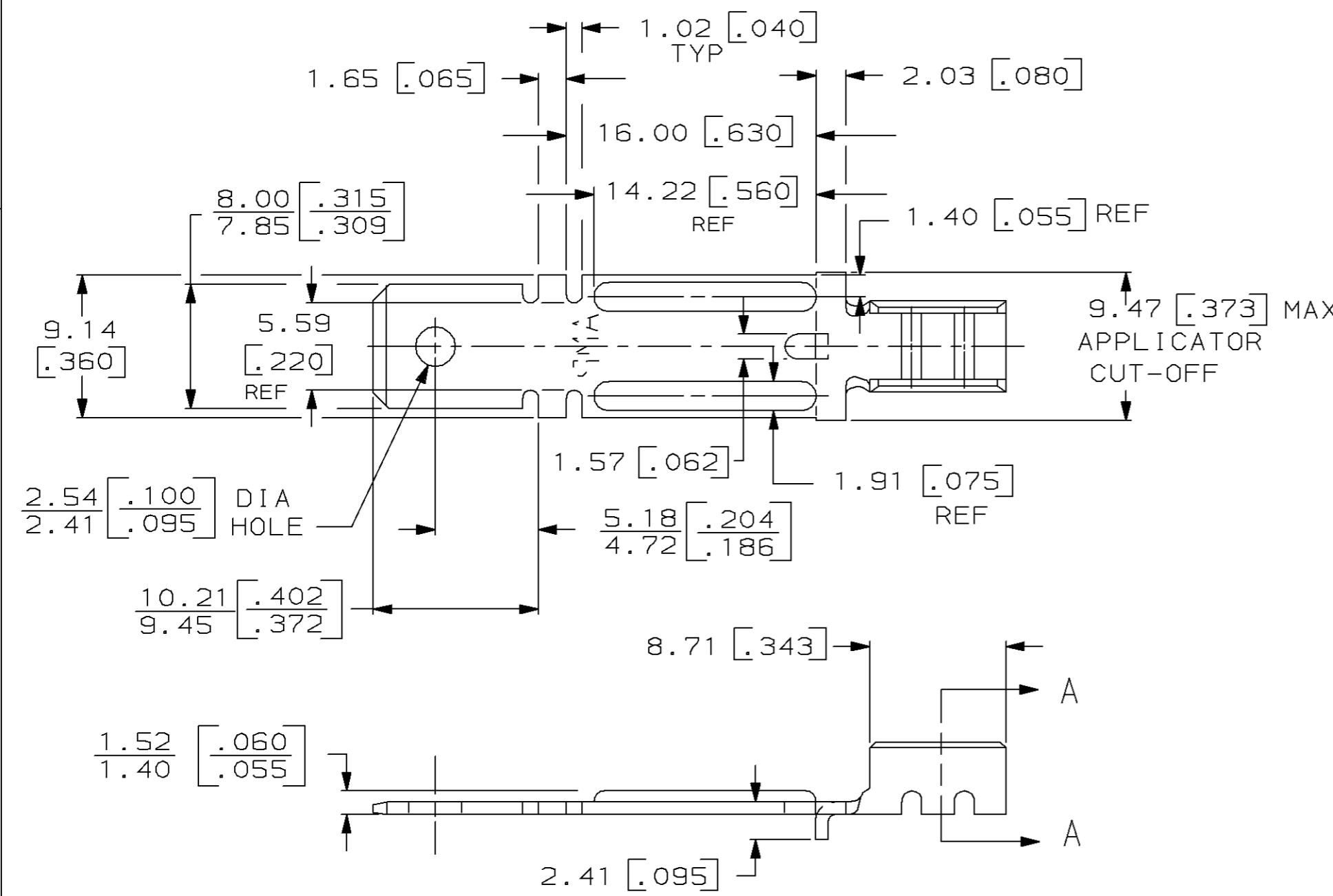
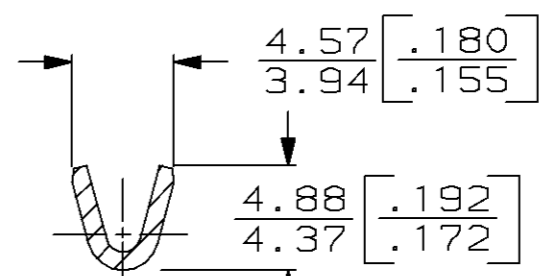


THIS DRAWING IS UNPUBLISHED. RELEASED FOR PUBLICATION ,19 .  
 © COPYRIGHT 19 BY AMP INCORPORATED, HARRISBURG, PA. ALL INTERNATIONAL RIGHTS RESERVED. AMP PRODUCTS MAY BE COVERED BY U.S. AND FOREIGN PATENTS AND/OR PATENTS PENDING.

LOC	DIST	P	F	REVISIONS				
AF	50			ZONE	LTR	DESCRIPTION	DATE	APPROVED
					D	REV PER 0370-93	10/26/93	JR / GY



1- DIMENSIONS IN BRACKETS ARE IN INCHES.  
 2- CONTINUOUS STRIP ON REELS.  
 3- SEE SHEET 2 FOR SUGGESTED LOCKING IN CERAMIC.



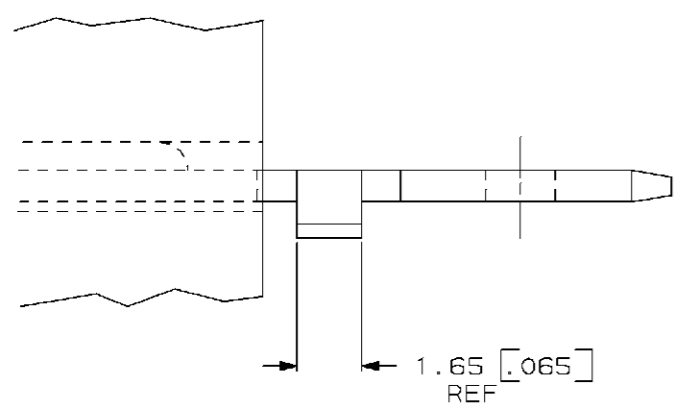
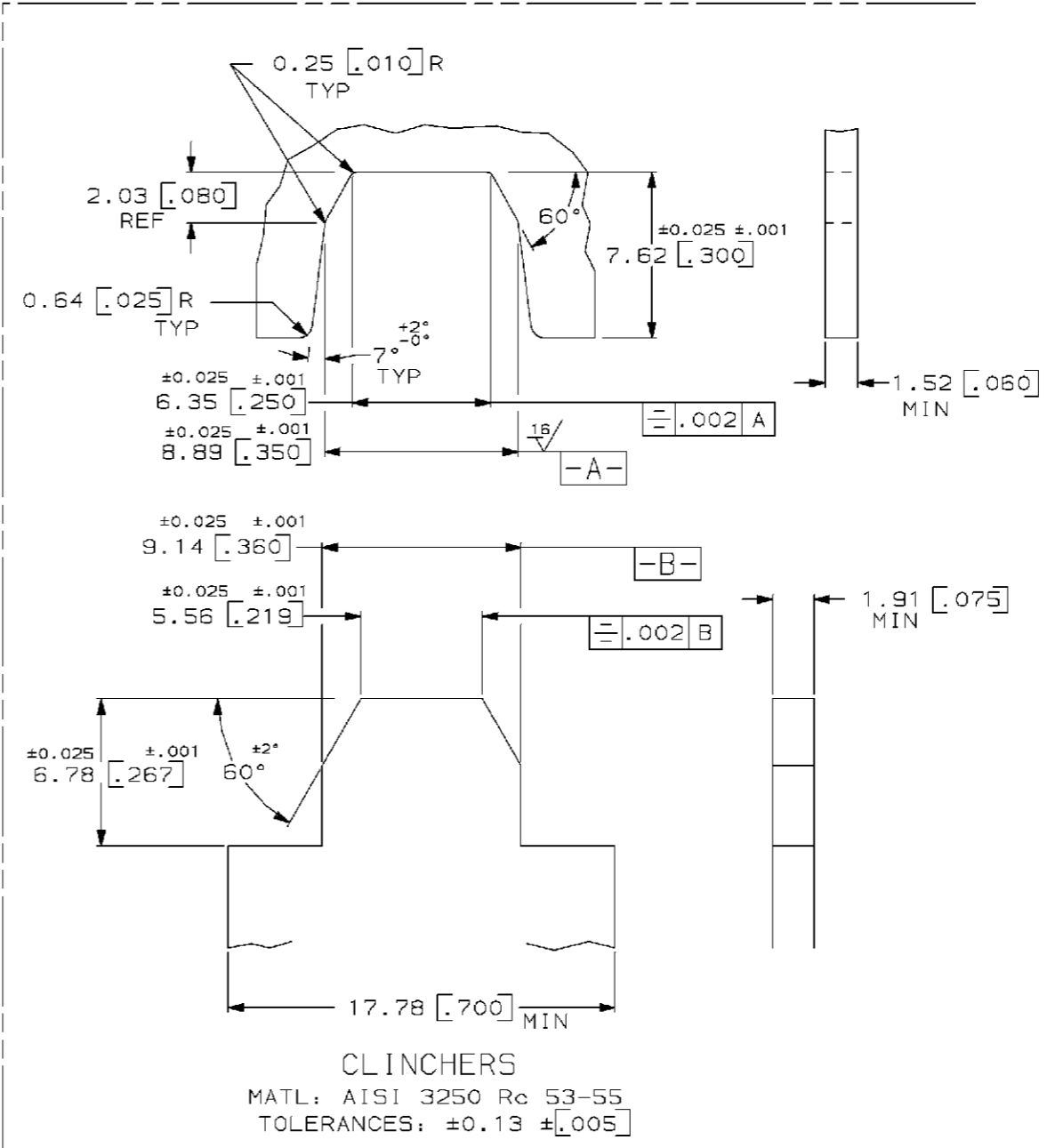
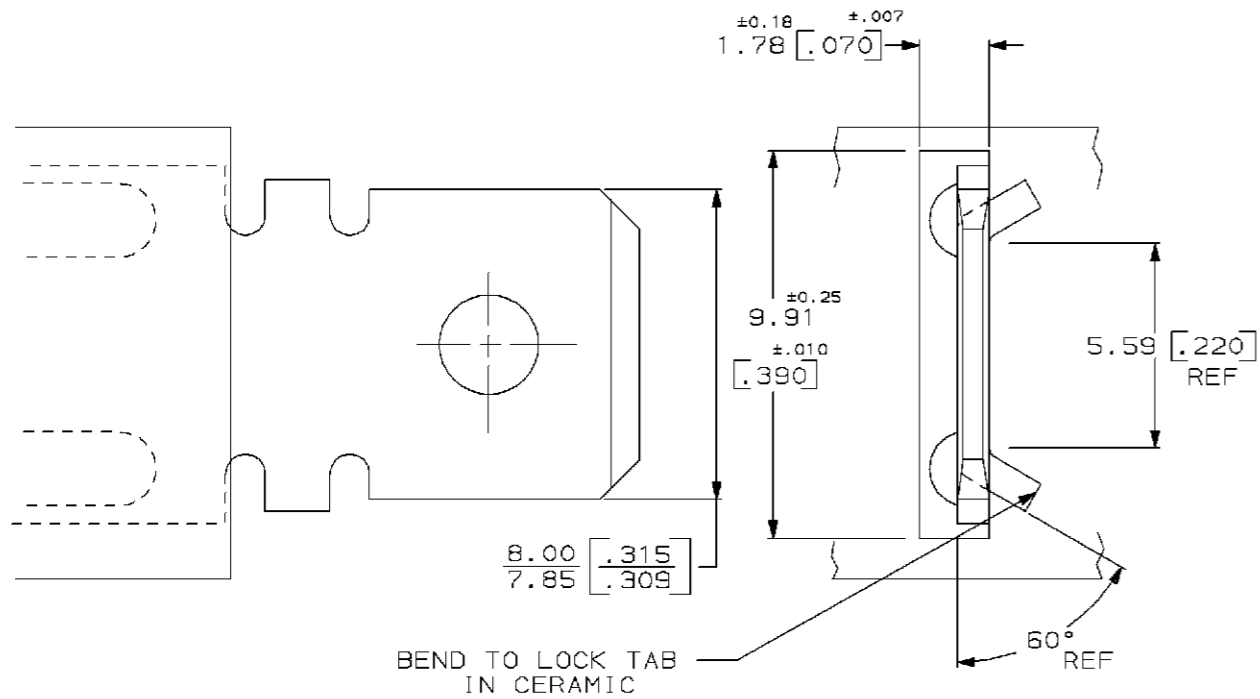
SECTION A-A



UNLESS OTHERWISE SPECIFIED DIMENSIONS ARE IN INCHES TOLERANCES ON:		DR 5/9/86 JR RUTH		[22-15 AWG] 0.30-1.45mm DIA		63390-1	
2 PL DEC ±		CHK 5/20/86 G YETTER		WIRE SIZE		PART NO	
3 PL DEC ± 0.25 [.010]		APPD 5/20/86 C MEYERS		<b>AMP</b> AMP INCORPORATED Harrisburg, Pa. 17105			
ANGLES ±		APPD 5/20/86 R KUZO					
MATERIAL CRS		PRODUCT SPEC		NAME .312 TAB FOR NI-CHROME WIRE			
0.81 [.032]		APPLICATION SPEC		SIZE B		DRAWING NO 63390	
FINISH NICKEL		114-2097		FSCM NO 00779		SHEET 1 OF 2	
		WEIGHT		SCALE NTS			

THIS DRAWING IS UNPUBLISHED. RELEASED FOR PUBLICATION  
 © COPYRIGHT 19 BY AMP INCORPORATED, HARRISBURG, PA. ALL INTERNATIONAL RIGHTS RESERVED. AMP PRODUCTS MAY BE COVERED BY U.S. AND FOREIGN PATENTS AND/OR PATENTS PENDING.

LOC	DIST	P	F	ZONE	LTR	REVISIONS	DATE	APPROVED
AF	50				D	REV PER 0370-93	0/27/03	JR / GY



SHT 2 OF 2  
63390

63390-1  
PART NO

UNLESS OTHERWISE SPECIFIED DIMENSIONS ARE IN INCHES - TOLERANCES ON : MM 2 PL DEC ± 3 PL DEC ± 0.38 [015] ANGLES ±	DR 5/9/86 JR RUTH	AMP INCORPORATED Harrisburg, Pa. 17105		
	CHK 5/20/86 G YETTER			
MATERIAL 0.81 [032] STEEL	APPD 5/20/86 J GILLESPIE	NAME .312 SERIES TAB FOR NI-CHROME WIRE		
FINISH NICKEL	APPD 5/20/86 R KUZO	SIZE C	FSCM NO 00779	DRAWING NO 63390
	APPLICATION SPEC 114-2097	SCALE NTS	SHEET 20F2	
	WEIGHT			

**METRIC**