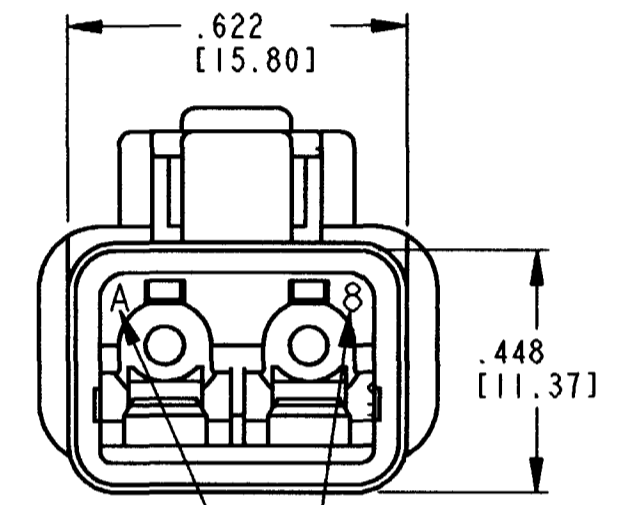
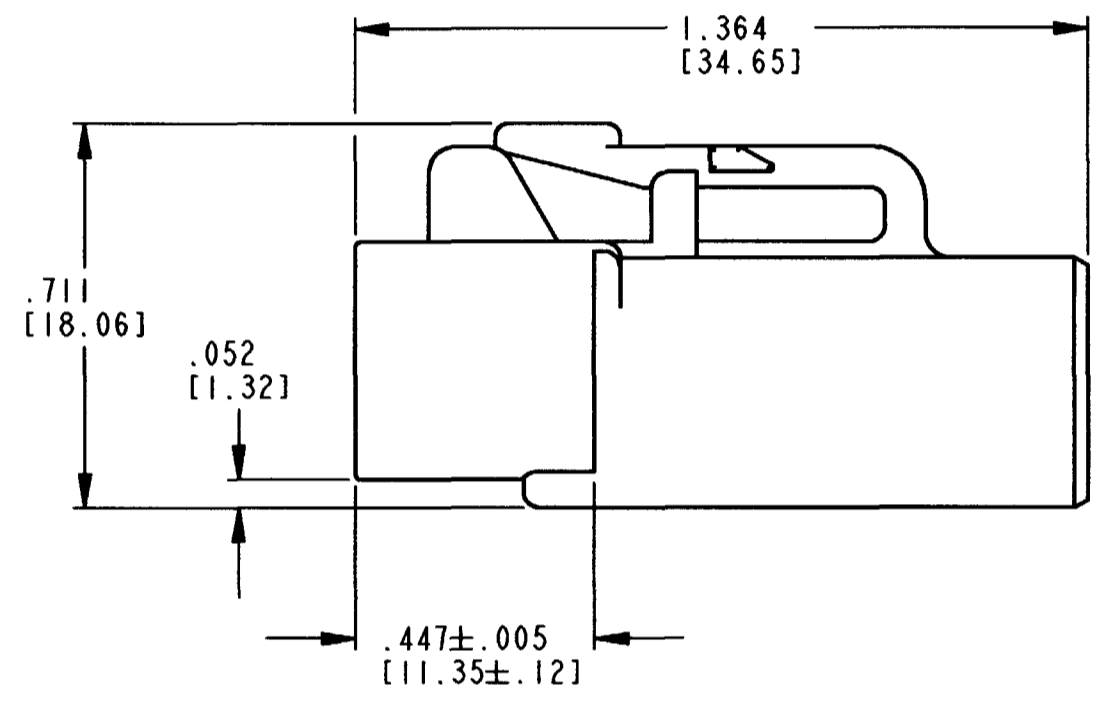
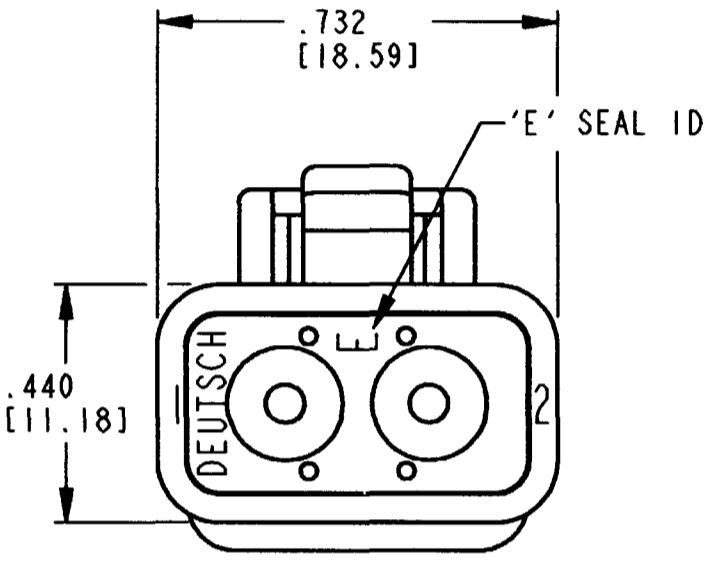


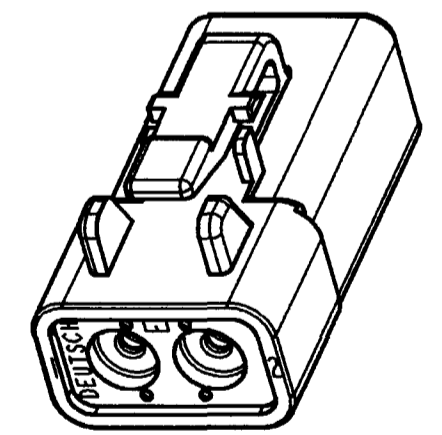
REV
A
DTP06-2S-C015

REVISIONS			
SYM	DESCRIPTION	DATE	APPROVED
NC	NEW RELEASE PER E.O. P17140	2-15-01	R.D.R.
A	REVISED PER E.O. P18823	2-11-05	RDR



DATE CODE: MONTH IS REPRESENTED BY SEQUENTIAL ALPHA CHARACTERS. EX: A=JANUARY; YEAR IS REPRESENTED BY LAST NUMERICAL DIGIT. EX: 8=2008

- 6. MATERIAL: HOUSING: PLASTIC; GROMMET: RUBBER
 - 5. THIS PLUG MATES WITH DTP04-2P-**** RECEPTACLE. (**** = ALL MODIFICATIONS)
 - 4. FOR CONTACT AND WIRE PERFORMANCE AND APPLICATION CHARACTERISTICS SEE ENVELOPE DRAWING 0425-015-0000.
 - 3. SECONDARY WEDGE LOCK SOLD SEPARATELY, WP-2S.
 - 2. DIMENSION TOLERANCE: ±.025 [.64].
 - 1. DIMENSIONS ARE IN INCHES [mm].
- NOTES: UNLESS OTHERWISE SPECIFIED



3D VIEW

CONTACT SIZE	MIN. INSUL. O.D.	MAX INSUL. O.D.	WIRE RANGE [mm ²] REF ONLY
12	.097 [2.46]	.158 [4.01]	10-14 AWG [5.0-2.0]

SIGNATURE & DATE		PLUG 2 WAY, SIZE 12 COLOR: GREY; 'E' SEAL -C015 MOD DTP SERIES ENVELOPE	CP EPI07	MATL CODE
DR	D. MEYER 02/13/01		The Deutsch Company DEUTSCH I.P.D. 3850 INDUSTRIAL AVE. HEMET, CALIF. 92545	
CHK	X. Sanchez 2/4/05	B DTP06-2S-C015 DWG SIZE 11139 SHEET 1 OF 1		
PE	Vladimir Tomx FEB-1-05			
APPD	D Meyer 2/4/05			
SCALE	NONE WT			