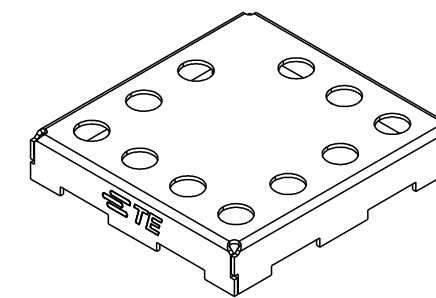


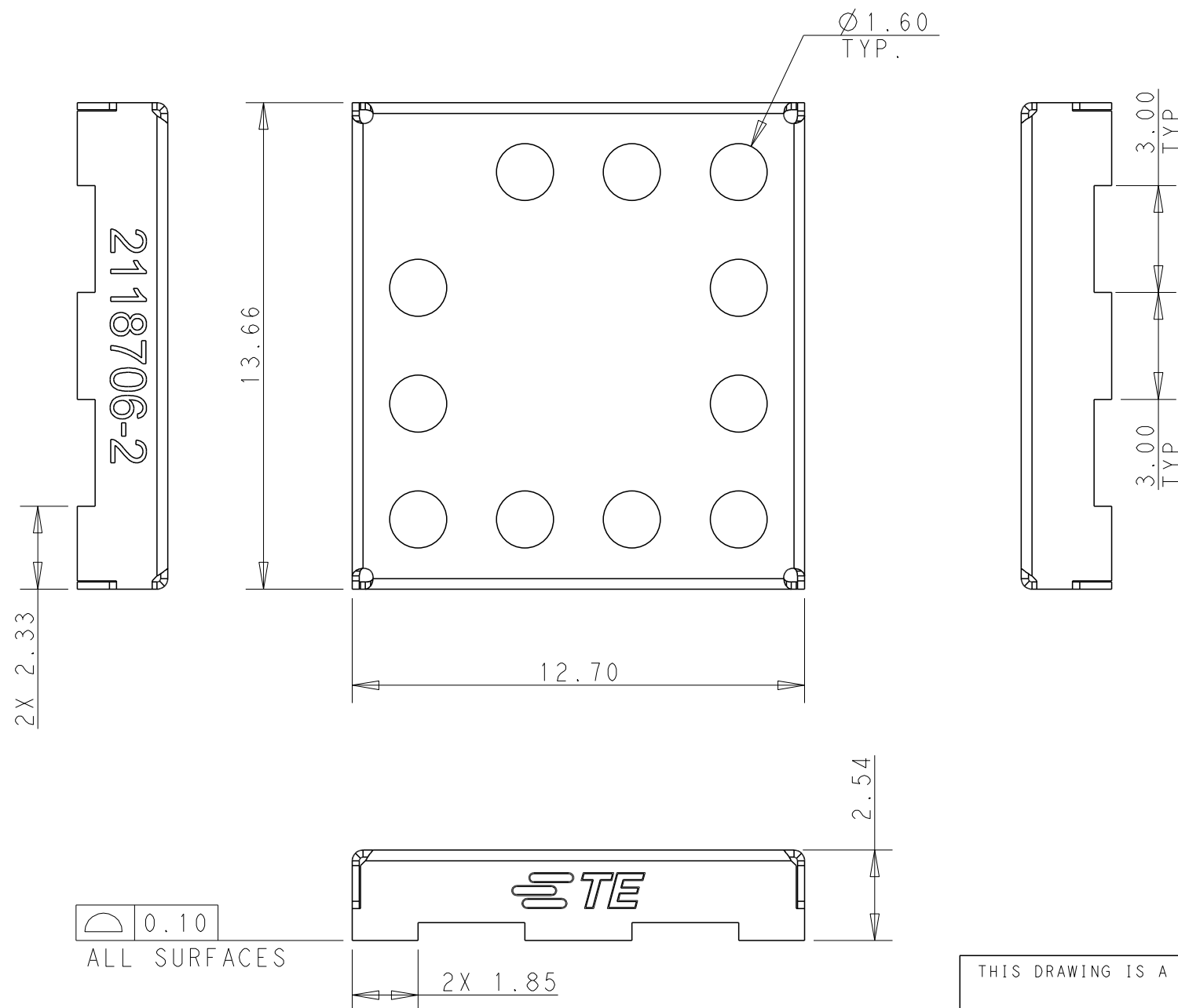
THIS DRAWING IS UNPUBLISHED. RELEASED FOR PUBLICATION 20
 © COPYRIGHT 20 BY - ALL RIGHTS RESERVED.

REVISIONS

P	LTR	DESCRIPTION	DATE	DWN	APVD
2		ADD NOTE 2, UPDATE TABLE	27JUL2016	VL	
A		DRAWING RELEASED	20APR2017	VL	SS
A1		REVISED PER ECO-17-007644	26MAY2017	VL	SS
A2		REVISED PER ECO-17-013857	20SEP2017	SS	HL



SCALE 3:1



NOTES:

- 1 MATERIAL: 0.20mm CRS. 1,25 - 3.00µm MATTE TIN FINISH.
- 2 MATERIAL: 0.20mm AL. 1.20 - 2.00µm MATTE TIN FINISH OVER NICKEL FLASH.
- 3 STAMPING BURR OUTSIDE OF PART, MAX 0.05mm.
- 4 PARTS TO BE FREE OF OIL AND CONTAMINENTS.
- 5 PART IS RoHS COMPLIANT PER TE CONNECTIVITY STANDARD TEC-138-702.
- 6 REFER TO 3D MODEL FOR UNSPECIFIED DIMENSIONS.
- 7 PACKAGING: TAPE AND REEL

7	2	2118706-4
7	1	2118706-2
PACKAGING	MATERIAL	PART NUMBER

0.10
ALL SURFACES

THIS DRAWING IS A CONTROLLED DOCUMENT.		DWN V. LAC 06APR2016	TE Connectivity	
DIMENSIONS: mm		CHK S. SU 20APR2017		
TOLERANCES UNLESS OTHERWISE SPECIFIED:		APVD V. LAC 20APR2017	NAME 1 PIECE STANDARD SHIELD	
0 PLC ±0.20 1 PLC ±0.15 2 PLC ±0.10 3 PLC ± 4 PLC ± ANGLES ±2		PRODUCT SPEC 108-115119	RESTRICTED TO	
MATERIAL SEE TABLE		APPLICATION SPEC 114-115013	SIZE A3	CAGE CODE -
FINISH SEE TABLE		WEIGHT -	DRAWING NO C-2118706	SCALE 6:1
		CUSTOMER DRAWING	SHEET 1 OF 3	REV A2

THIS DRAWING IS UNPUBLISHED.

RELEASED FOR PUBLICATION

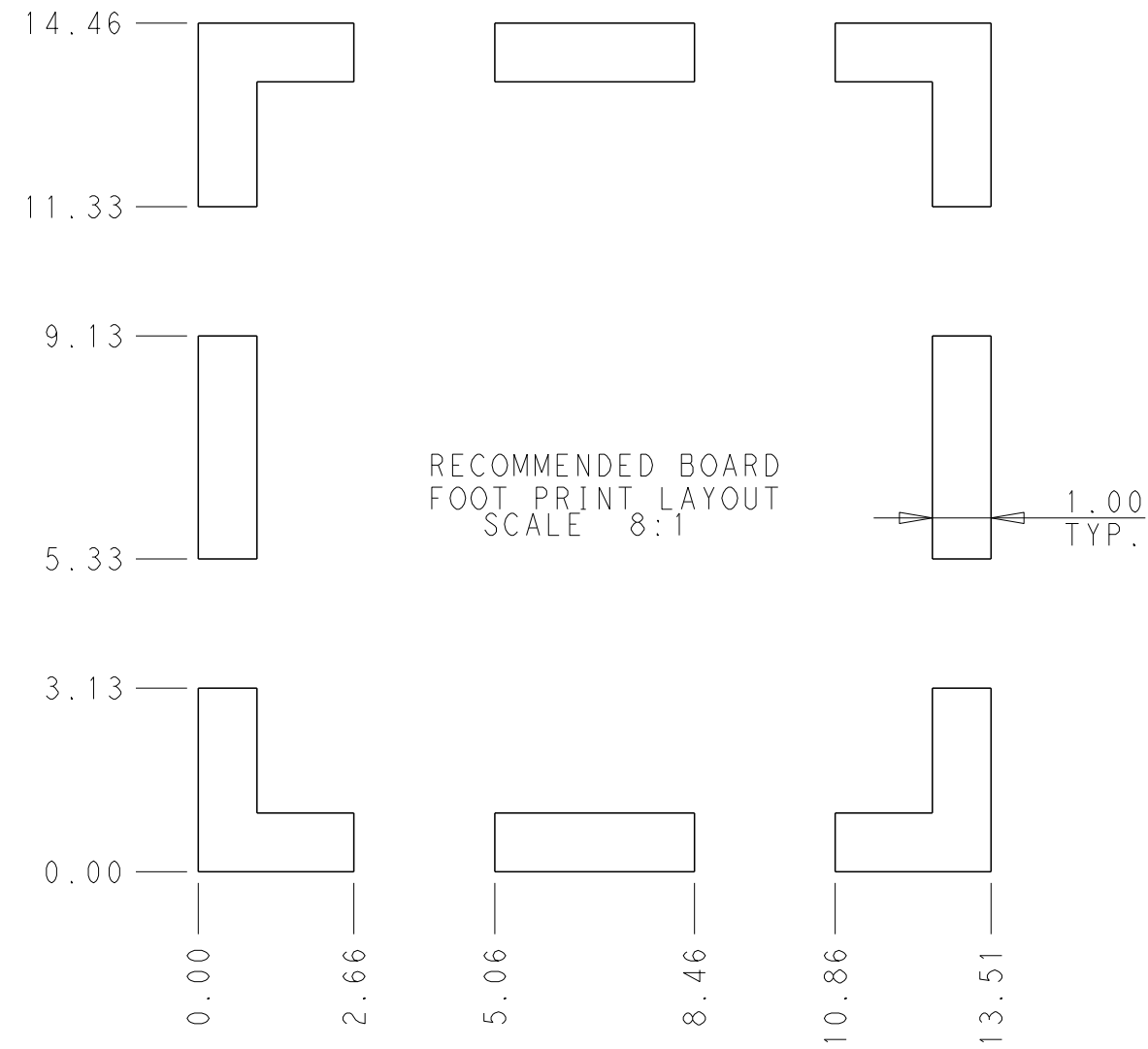
20

© COPYRIGHT 20 BY -

ALL RIGHTS RESERVED.

REVISIONS

P	LTR	DESCRIPTION	DATE	DWN	APVD
-	-	SEE SHEET 1	-	-	-

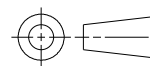


NOTES:

8. STENCIL THICKNESS: 0.10mm MIN.

THIS DRAWING IS A CONTROLLED DOCUMENT.

DIMENSIONS:
mm



MATERIAL
SEE TABLE

TOLERANCES UNLESS OTHERWISE SPECIFIED:

- 0 PLC ±0.20
- 1 PLC ±0.15
- 2 PLC ±0.10
- 3 PLC ±
- 4 PLC ±
- ANGLES ±2

FINISH
SEE TABLE

DWN V. LAC 06APR2016

CHK S. SU 20APR2017

APVD V. LAC 20APR2017

PRODUCT SPEC
108-115119

APPLICATION SPEC

WEIGHT -

CUSTOMER DRAWING



TE Connectivity

NAME
1 PIECE STANDARD SHIELD

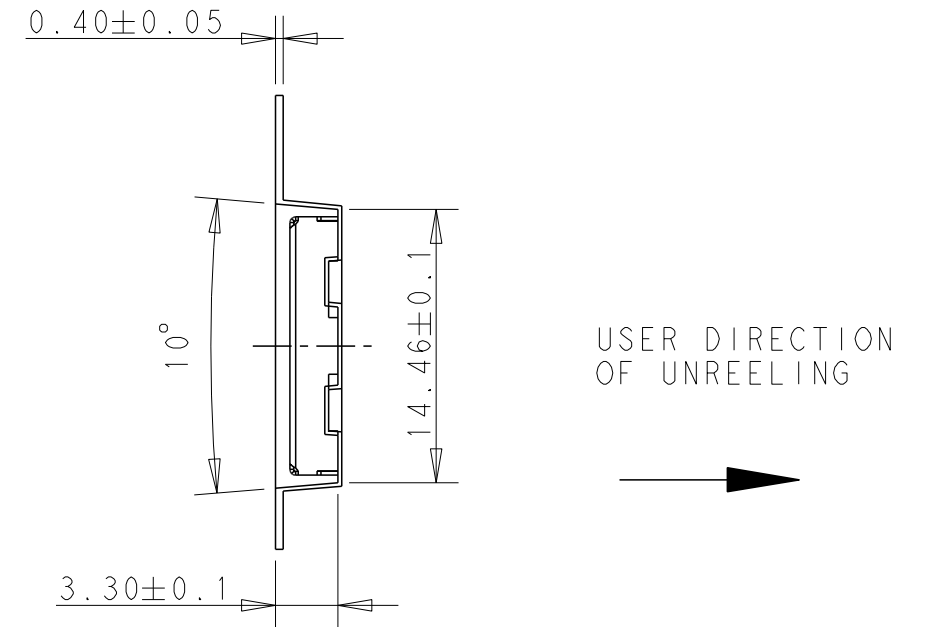
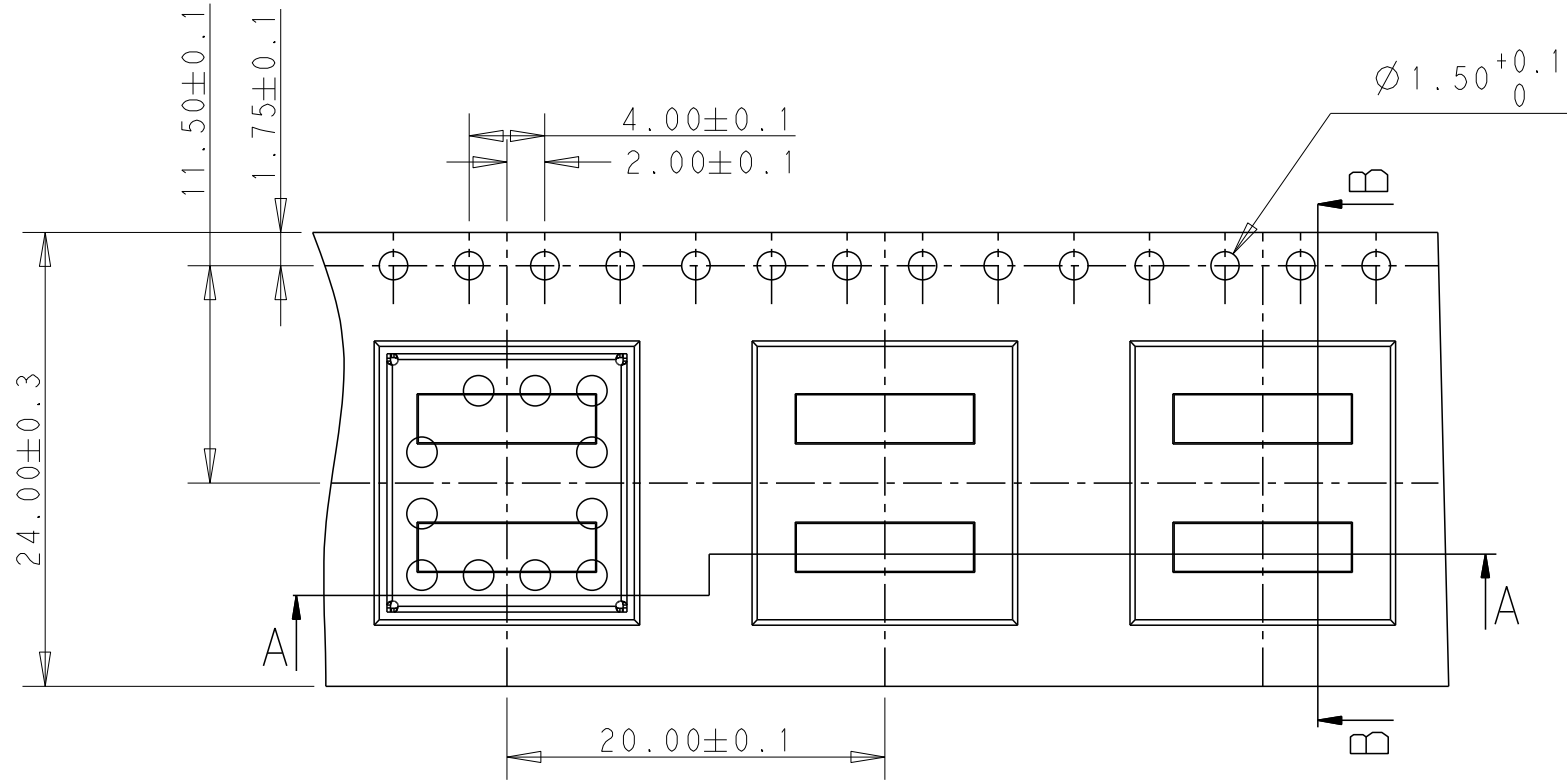
SIZE CAGE CODE DRAWING NO RESTRICTED TO

A3 - C-2118706

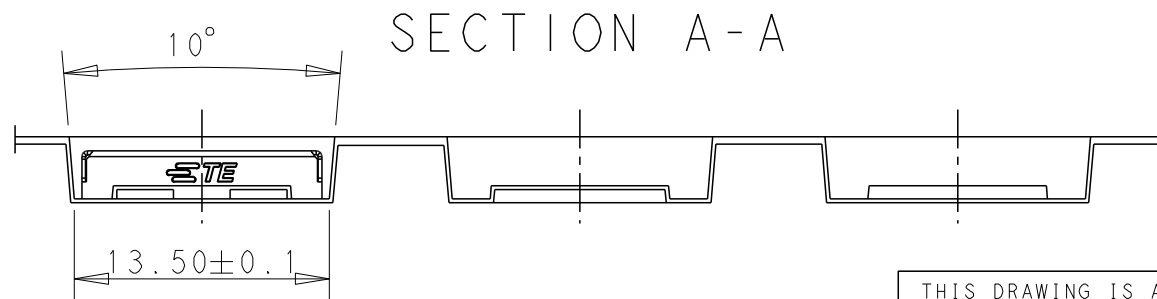
SCALE 6:1 SHEET 2 OF 3 REV A2

REVISIONS

P	LTR	DESCRIPTION	DATE	DWN	APVD
-	-	SEE SHEET 1	-	-	-



SECTION B-B



SECTION A-A

NOTES:

- 9. REEL SIZE: O.D. 330mm, I.D. 100mm
- 10. QTY PER REEL: 900PCS

THIS DRAWING IS A CONTROLLED DOCUMENT.

DIMENSIONS: mm	TOLERANCES UNLESS OTHERWISE SPECIFIED:
	0 PLC ±0.20
	1 PLC ±0.15
	2 PLC ±0.10
	3 PLC ±
	4 PLC ±
	ANGLES ±2
MATERIAL SEE TABLE	FINISH SEE TABLE

DWN V. LAC	06APR2016
CHK S. SU	20APR2017
APVD V. LAC	20APR2017
PRODUCT SPEC	108-115119
APPLICATION SPEC	-
WEIGHT	-
CUSTOMER DRAWING	

TE Connectivity		NAME 1 PIECE STANDARD SHIELD	
		SIZE A3	CAGE CODE -
SCALE 6:1		SHEET 3 OF 3	REV A2