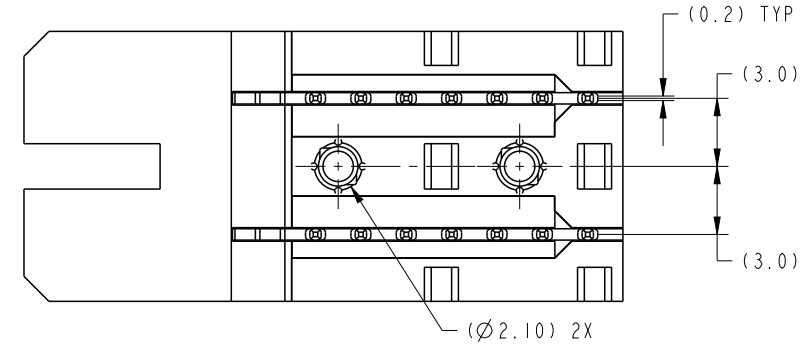
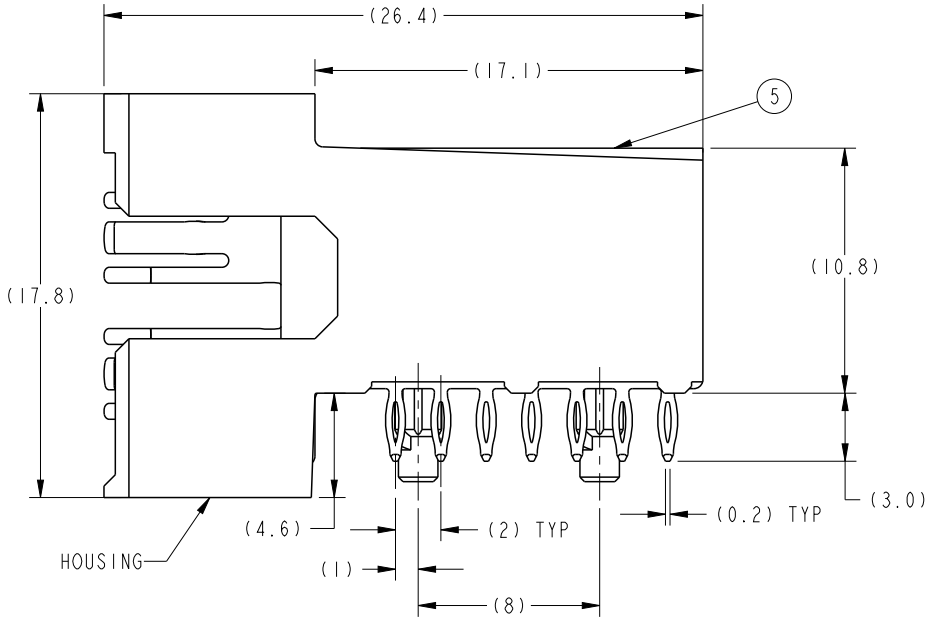
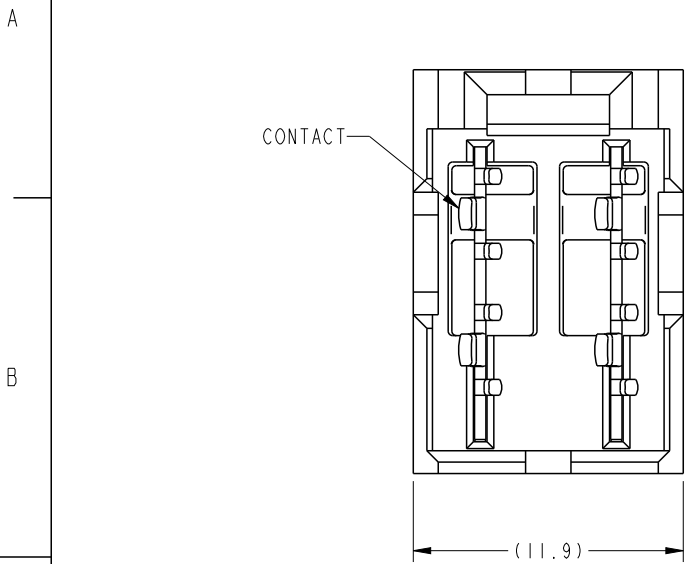


PRODUCT NUMBER (SEE NOTE 7)	CONTACT PLATING		ROHS COMPATIBILITY
	SEPARABLE INTERFACE	PRESS-FIT TAIL	
	10009556-001	0.76 μ m MIN GXT OVER NICKEL	0.5 μ m MIN TIN-LEAD NICKEL
10009556-001LF		0.5 μ m MIN MATTE TIN OVER NICKEL	SEE NOTE 8



Copyright FCI.

spec ref	GS-12-220			dr	Chen-Hong Tan	2005/08/03	projection 	MM 	size	A4	scale	1:1	
tolerance std	TOLERANCES UNLESS OTHERWISE SPECIFIED			eng	Suzie Nah	2013/12/26			ecn no	ELX-S-16550-1			
ASME Y14.5				chr	-	-			rel level	Released			
surface	linear	0.X	±.3	FCI 	www.fci.com	title	1 X 2 HEADER ASSEMBLY, PRESS-FIT	dwg no	10009556	rev	G	sheet 1 of 2	
ASME Y14.5		0.XX	±.13										
	0.XXX	±.051											
	angular	0°	±2°	cat. no.									

PreE File - REV C - 2009-06-09

