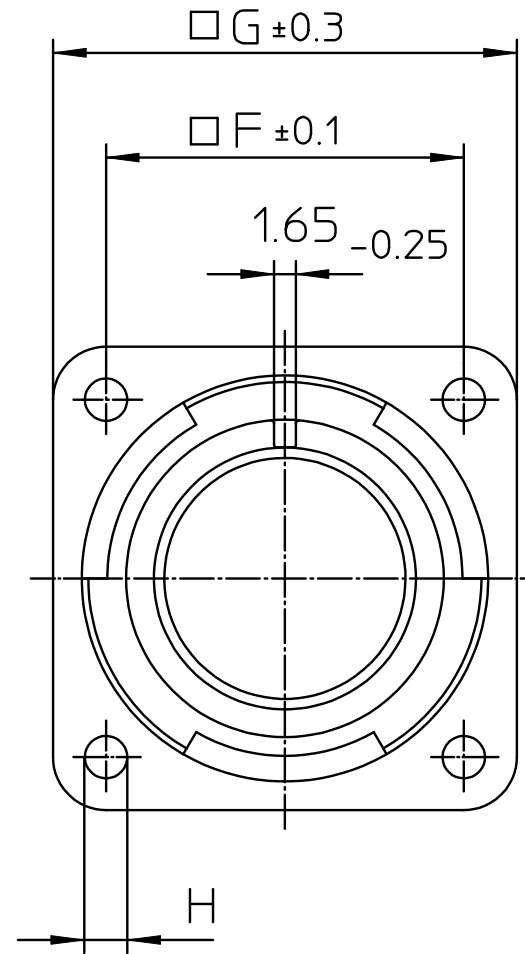
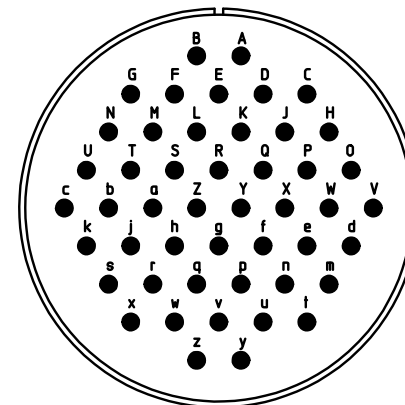




NO.	BESCHREIBUNG / DESCRIPTION
2	ISOLIERKÖRPER BUCHSE / INSULATOR SOCKET
6	KONTAKTBUCHSE / CONTACT SOCKET
8	DOSENGEHÄUSE / SHELL



NO.	MASSE / DIMENSION
A	59.6
B	22.2
C	4
D	33.8
E	52.6
F	49.2
G	63.5
H	4.3



Note: Due to an automatic nomenclature system, numbers generated may not be sequential.  
 Specification and Dimensions subject to change  
 Drawings illustrate normal insulator positioning

Material Specification:
Shell Material: Aluminium alloy
Shell Plating: Olive drab chromate over cadmium (conductive)
Insulator Material: CR-Elastomere
Contact Material: Copper alloy
Contact Plating: Gold 0,5 µm

all dimensions are in mm  
 Dimensions without tolerance indications are general tolerances in acc. with DIN7168m  
 drawing for CUSTOMER



Engineered for life  
 ITT CANNON GmbH  
 D - 71384 Weinstadt/Germany

description CA3102E36-10SXB-F80-A176  
 Box mounting receptacle

AWG Crimp / Socket / Layout: 36-10