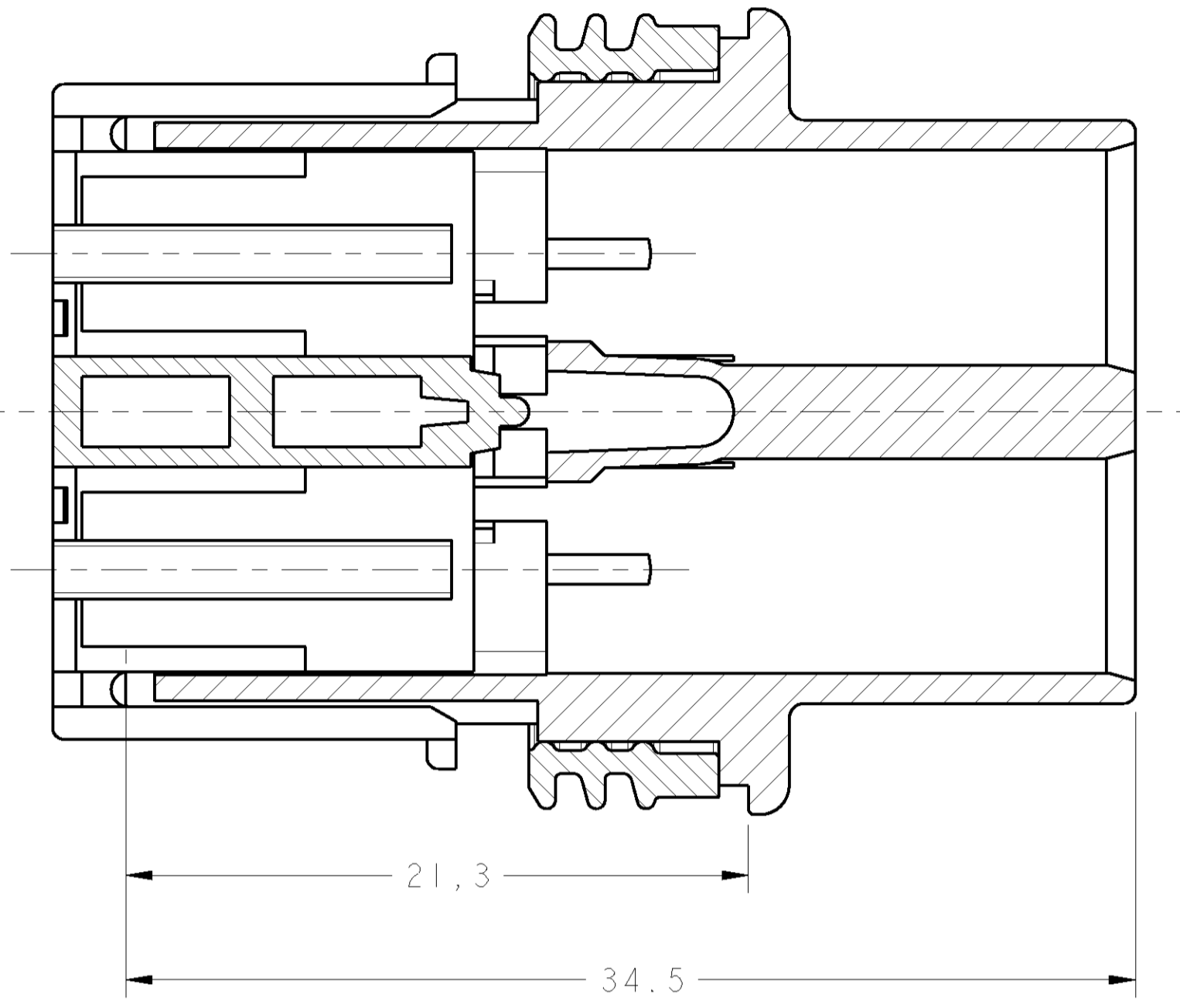
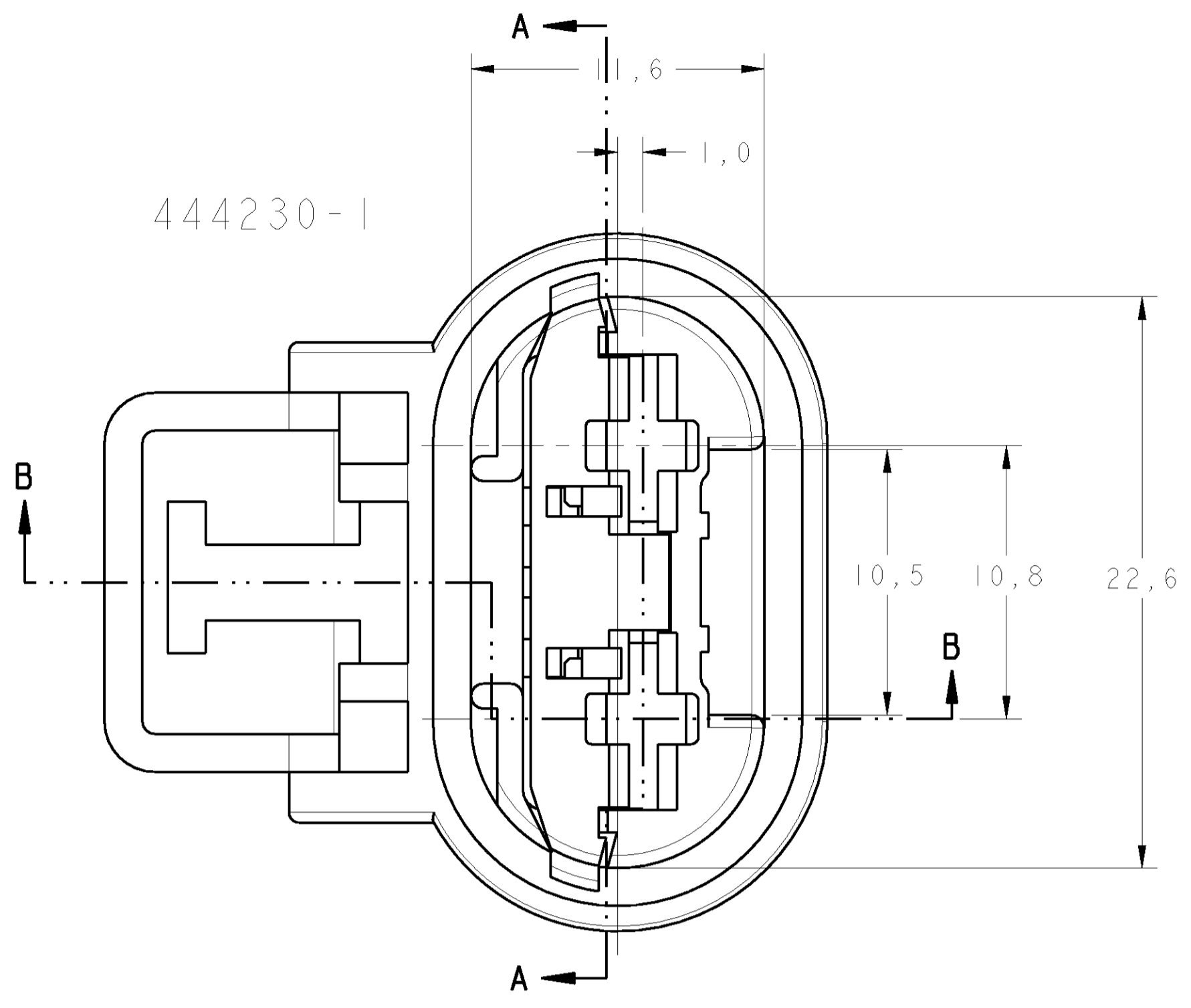
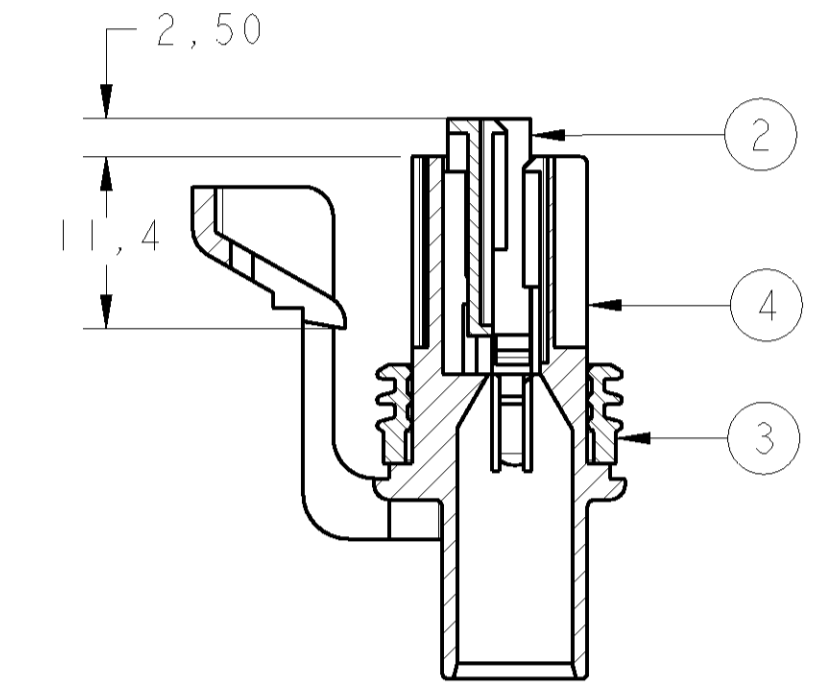
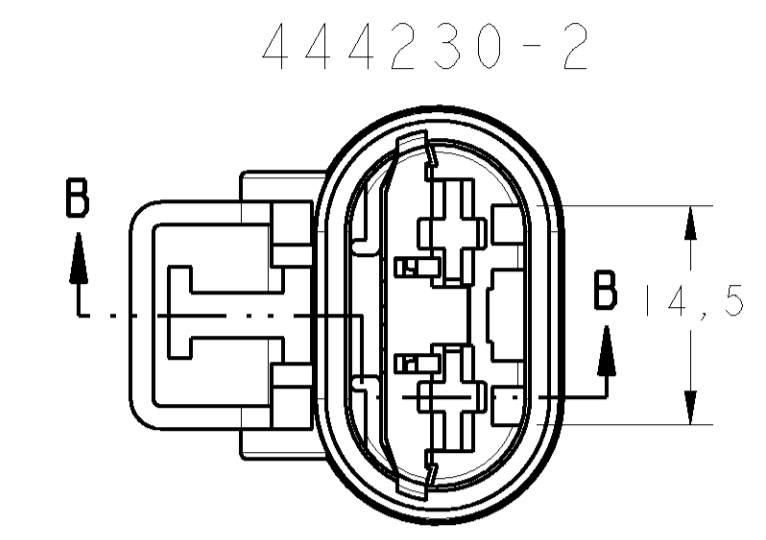


LOC	DIST	REVISIONS				
AP	-	P. LTR	DESCRIPTION	DATE	DWN	APVD
		G1	REVISED BY ECO-06-005945	04APR2006	NCL	PLF
		-	-	-	-	-
		-	-	-	-	-
		-	-	-	-	-

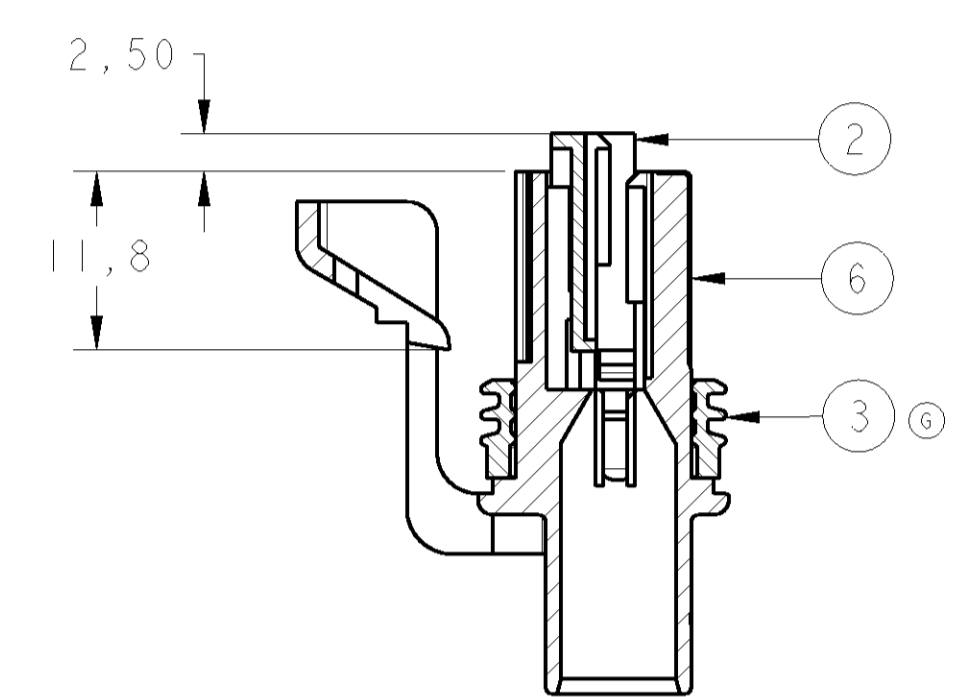
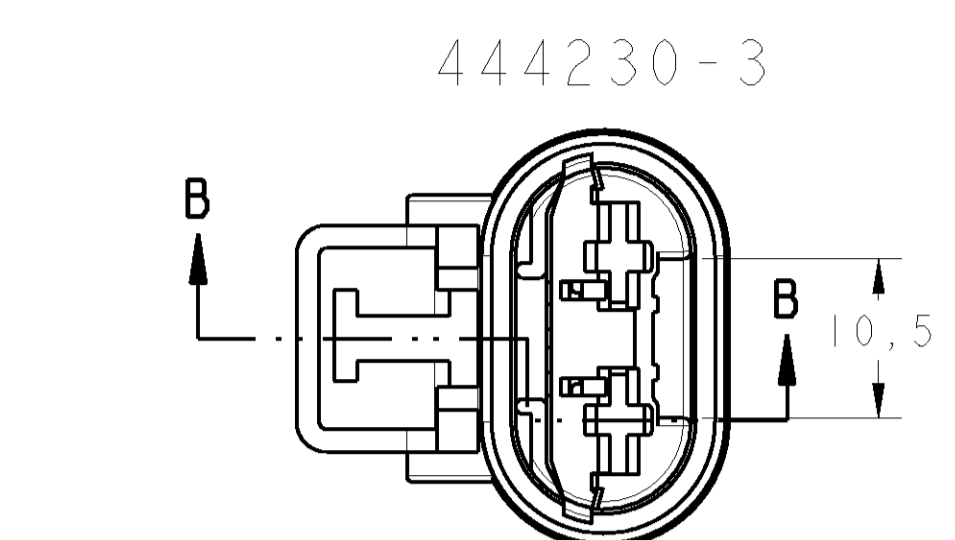
CAD
 DO NOT REVISE EXCEPT BY CAD



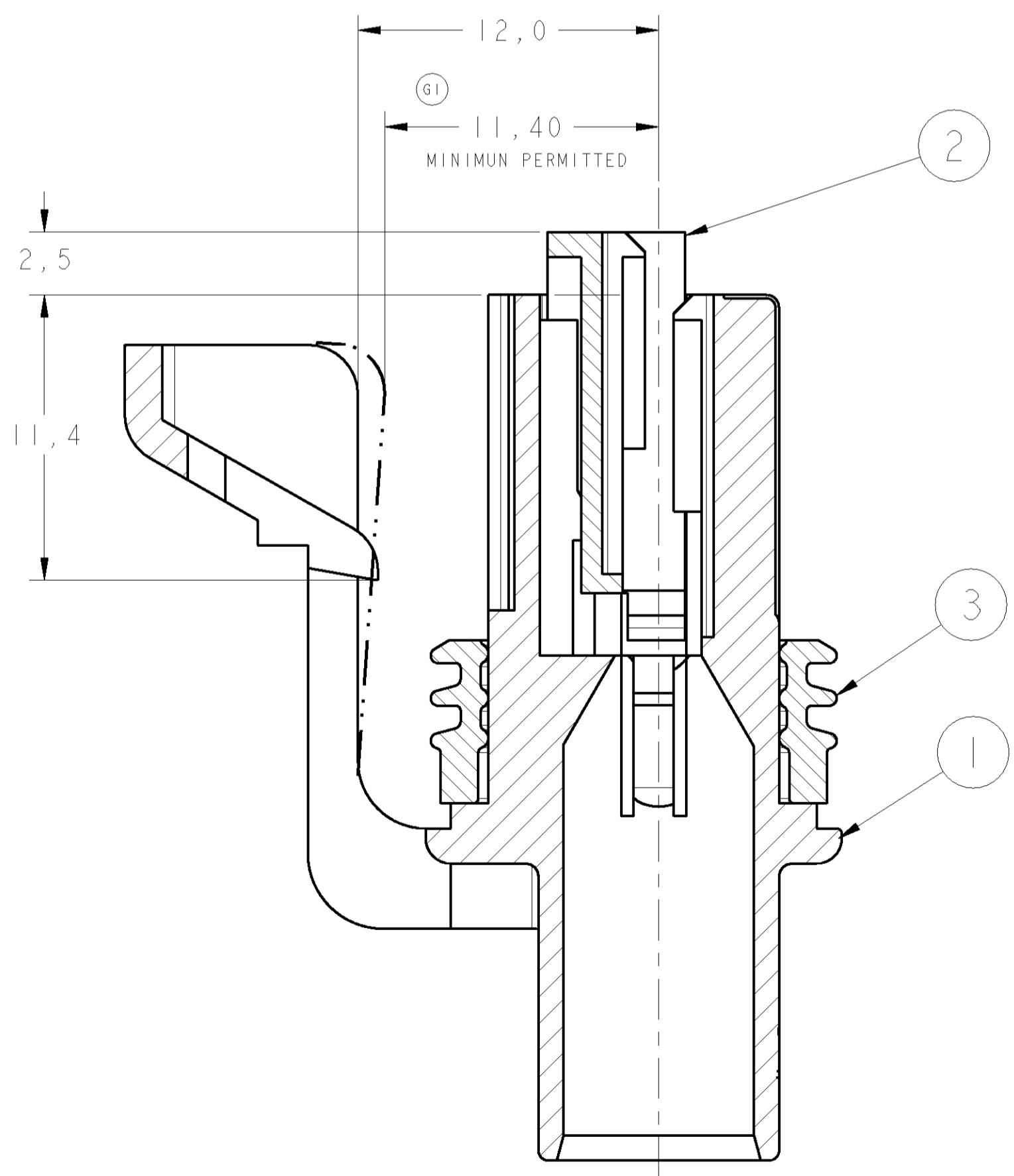
SECTION A-A



SECTION B-B

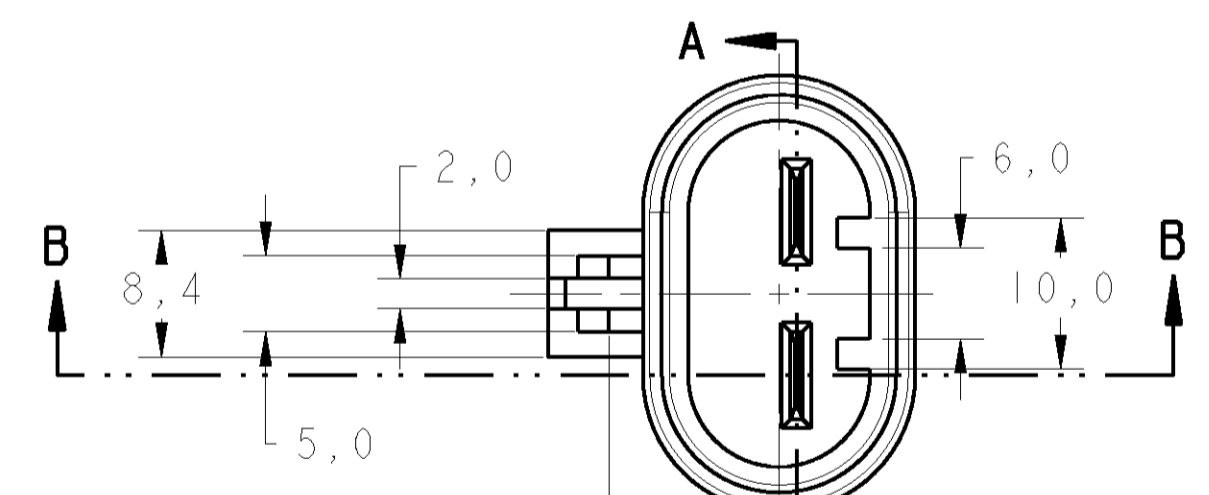


SECTION B-B

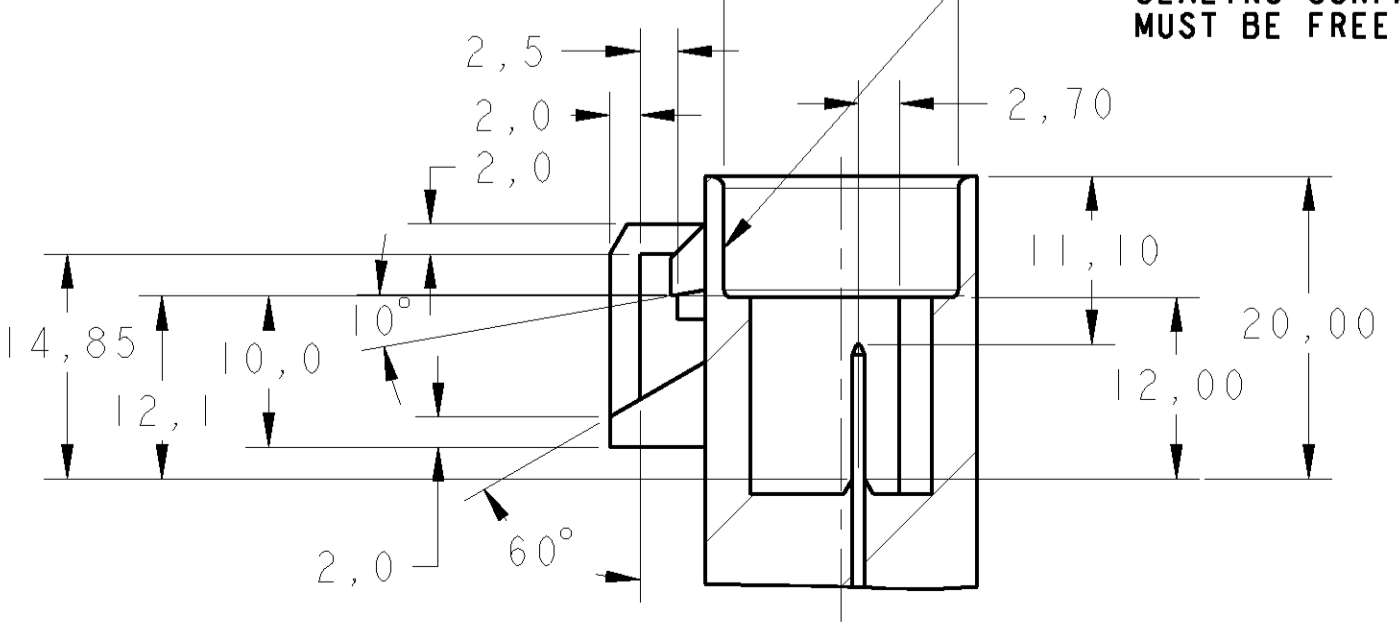
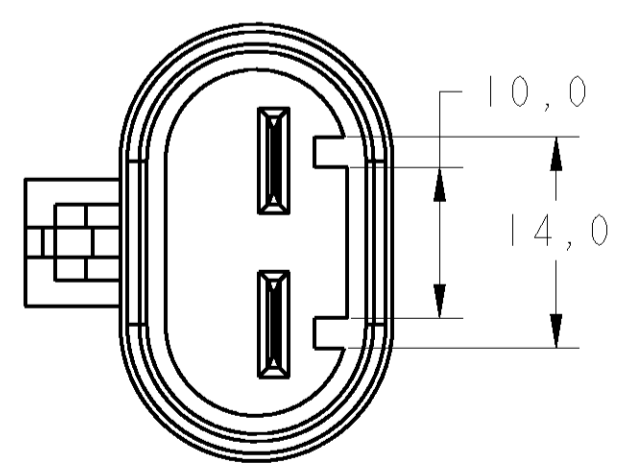


SECTION B-B

FOR 444230-1 AND 444230-3

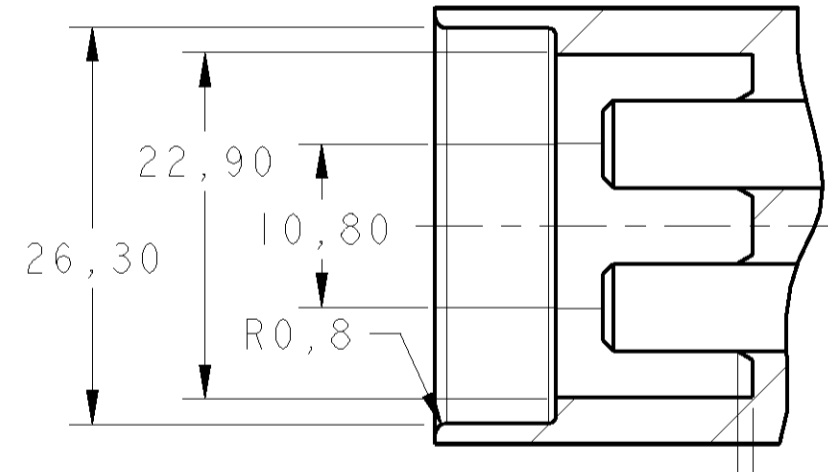


FOR 444230-2

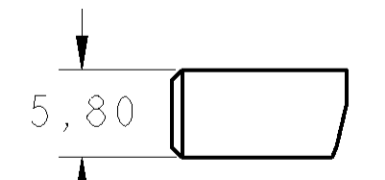


SECTION B-B

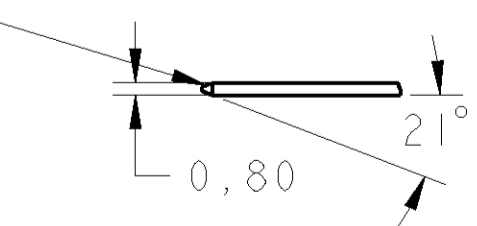
INFORMAÇÕES DA CONTRA-PEÇA
MATING CONNECTOR INFORMATION
SCALE 2:1



SECTION A-A



PONTA DO TERMINAL DEVE SER LIVRE DE REBARBAS
 END OF TERMINAL MUST BE FREE OF BURRS



INFORMAÇÕES DO TERMINAL
MATING TERMINAL INFORMATION
SCALE 2:1

TOLERANCIAS NAO ESPECIFICADAS
 TOLERANCES UNLESS OTHERWISE STATED

DECIMAL: ±0.2
 ONE PLACE: ±0.1
 TWO PLACE: ±0.1
 ANGLES: ±2°

CONECTOR PARA TERMINAIS E SELOS:
 CONNECTOR FOR TERMINALS AND WIRE SEALS

BITOLA WIRE RANGE (mm ²)	PN TERMINAL	SELO Nº PN SEAL
0.5-1.0	927836-2	963243-1
>1.0-2.5	927835-2	963244-1
>2.5-4.0	928966-2	963245-1

GRAVAÇÕES MARKINGS	
MARCA REGISTRADA AMP TRADEMARK AMP	
CÓDIGO PAIS PRODUTOR MANUFACTURER COUNTRY CODE	
NÚMERO DA PEÇA AMP PART NUMBER AMP	
NÚMERO CAVIDADE CAVITY NUMBER	
IDENTIFICAÇÃO CIRCUITO CIRCUIT IDENTIFICATION	
PAIS PRODUTOR MANUFACTURER COUNTRY	

REQ. PER ASSY	ITEM	DESCRIPTION	MATERIAL	FINISH
-3-2-1	6	HOUSING, 2P., STD. P. T. RCPT.	PA 6.6	PRETO / BLACK
	5	SEAL, 2 POSN.	SILICONE	AZUL / BLUE
	4	HOUSING, 2P., STD. P. T. RCPT.	PA 6.6	CINZA / GRAY
	3	SEAL, 2 POSN.	SILICONE	VERDE / GREEN
	2	SPACER, 2P., STD. P. T. RCPT.	PA 6.6	AMARELO/YELLOW
	1	HOUSING, 2P., STD. P. T. RCPT.	PA 6.6	PRETO / BLACK

DIMENSIONS:		TOLERANCES UNLESS OTHERWISE SPECIFIED:		MATERIAL		FINISH	
mm	0 PLC ±0.3	1 PLC ±0.3	2 PLC ±0.3	3 PLC ±0.3	4 PLC ±0.3	5 PLC ±0.3	6 PLC ±0.3
ANGLES	±1°	±1°	±1°	±1°	±1°	±1°	±1°
SEE TABLE	SEE TABLE	SEE TABLE	SEE TABLE	SEE TABLE	SEE TABLE	SEE TABLE	SEE TABLE

OWN: M. TONISHI 25JAN2005
 CHK: P. L. FARIA 22MAR2005
 APVD: E. G. OLIVEIRA 22MAR2005

TYCO Electronics
 TYCO ELECTRONICS do Brasil LTDA.
 São Paulo, Brasil

PRODUCT SPEC: NA
 APPLICATION SPEC: NA
 NAME: HOUSING, ASSY, 2 POSN., STD. POWER TIMER REC.
 SIZE: A1
 CASE CODE: 00779
 DRAWING NO: 444230
 RESTRICTED TO: -

CUSTOMER DRAWING SCALE: 2:1 SHEET: 1 OF 1 REV: G1