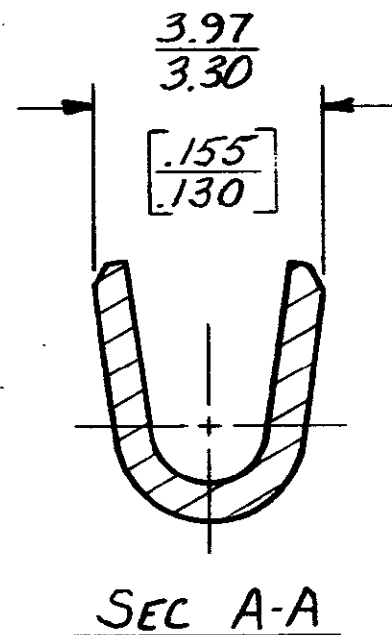
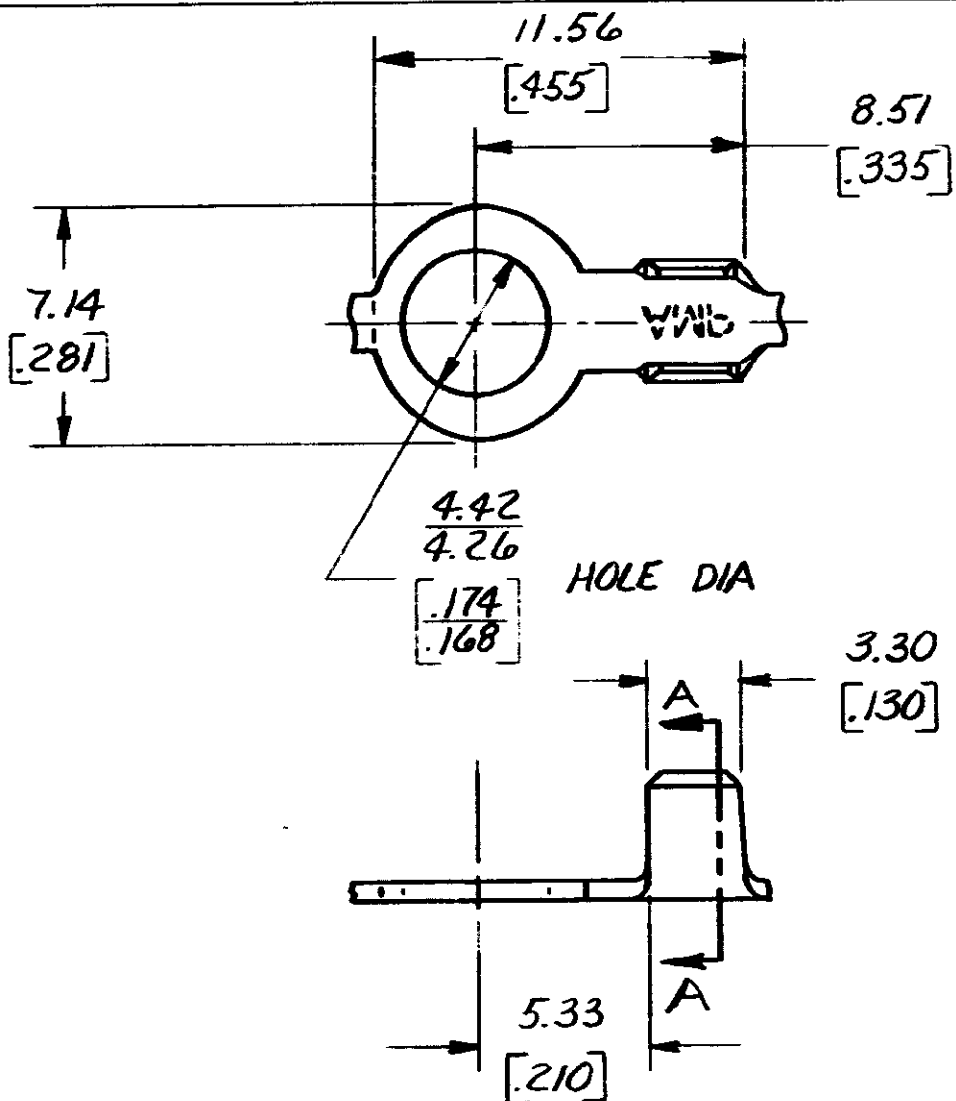


THIS DRAWING IS UNPUBLISHED. RELEASED FOR PUBLICATION, 19
 © COPYRIGHT 19 BY AMP INCORPORATED, HARRISBURG, PA. ALL INTERNATIONAL RIGHTS RESERVED. AMP PRODUCTS MAY BE COVERED BY U.S. AND FOREIGN PATENTS AND/OR PATENTS PENDING.

REVISIONS						
P	F	ZONE	LTR	DESCRIPTION	DATE	APPROVED
	✓		C	REDRAWN	2/6/84	SS/



1. DIMS IN BRACKETS ARE IN INCHES.
2. CONTINUOUS STRIP ON REELS.

METRIC

UNLESS OTHERWISE SPECIFIED DIMENSIONS ARE IN INCHES - MM		CONTRACT NO		0.8 - 2.0 mm ² #78-#14		40951	
TOLERANCES ON: DECIMALS ±0.38 [015] ANGLES ±		DR 2. Schaffhausen 2-6-84		WIRE RANGE		PART NO	
MATERIAL 0.51 [020] BRASS		CHK 4/2/84		AMP AMP INCORPORATED Harrisburg, Pa.			
FINISH NONE		APPD [Signature] 2-7-84		NAME RING			
OTHER APPD		DSGN APPD		SIZE B		FSCM NO 00779	
				DRAWING NO 40951		SHEET	
				SCALE			