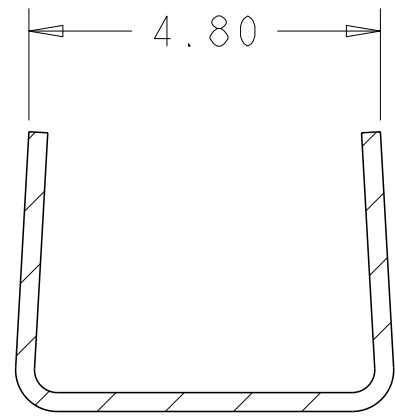


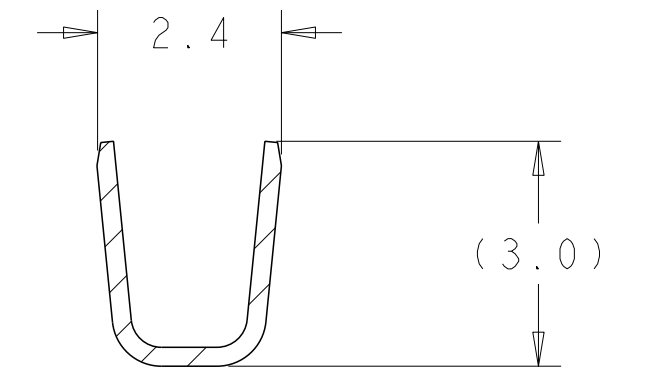
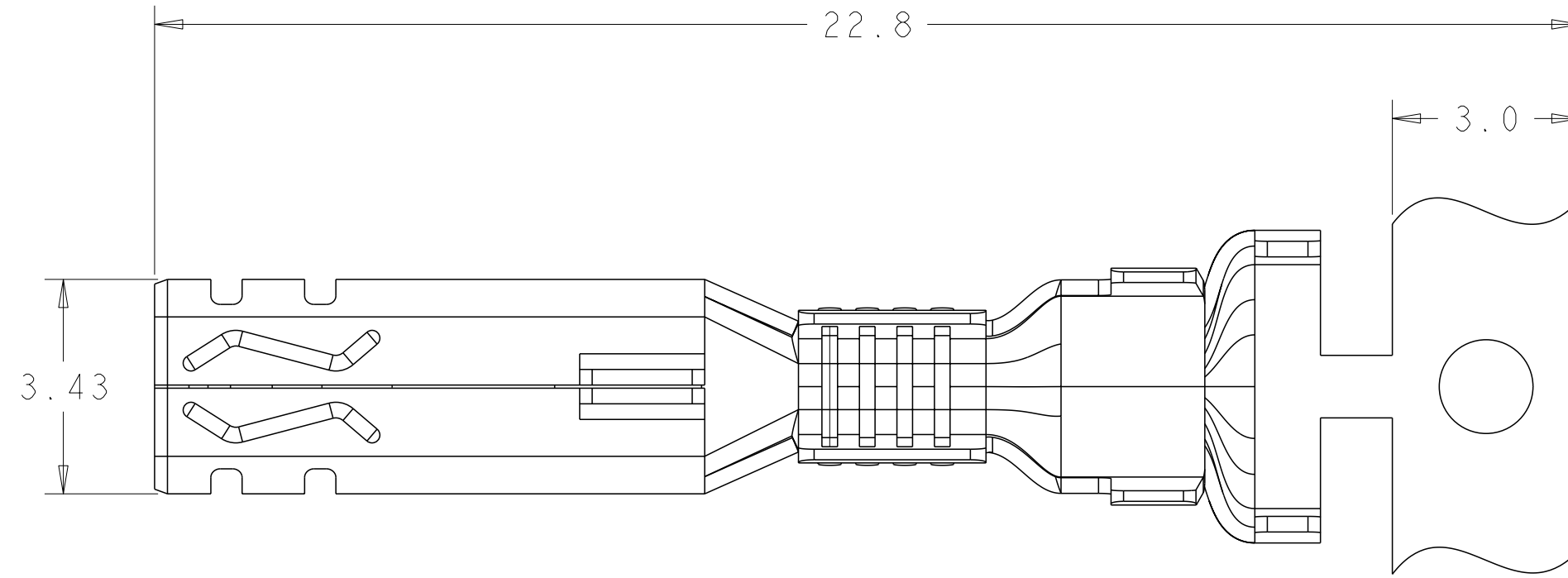
THIS DRAWING IS UNPUBLISHED. RELEASED FOR PUBLICATION 20  
 © COPYRIGHT 20 BY - ALL RIGHTS RESERVED.

LOC	DIST
ES	00

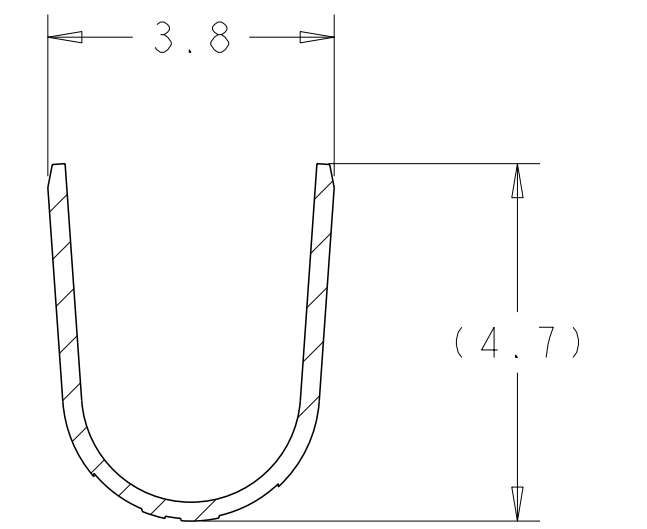
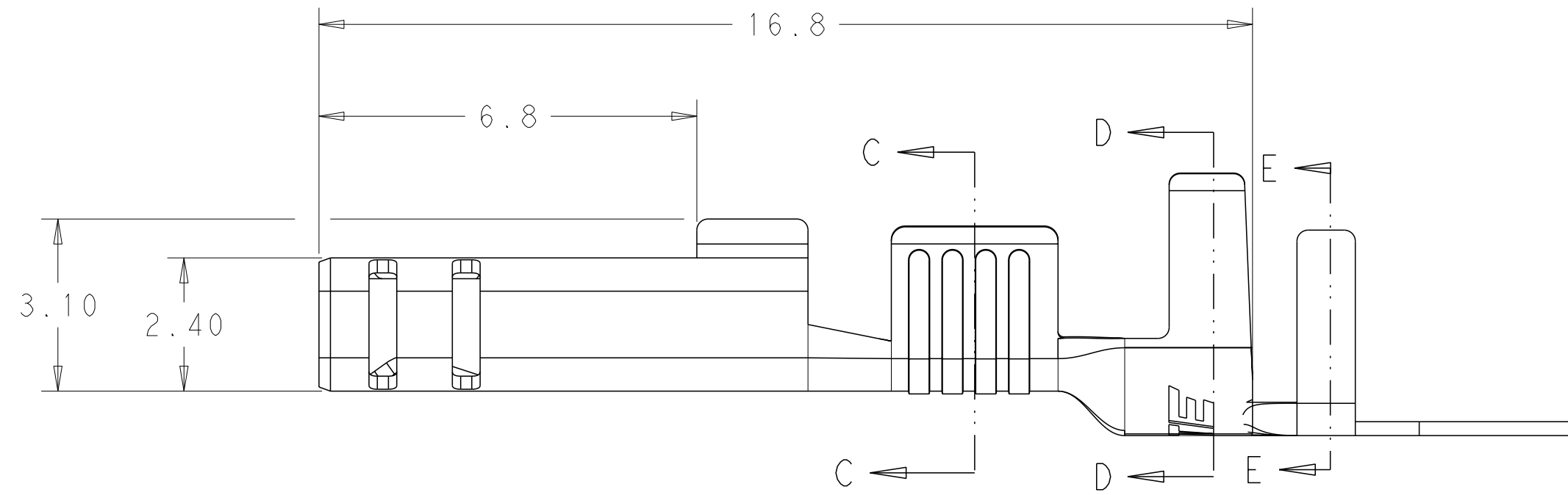
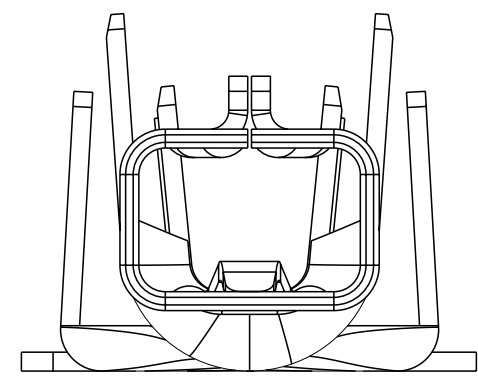
REVISIONS				
P	LTR	DESCRIPTION	DATE	APVD
B		REVISED PER ECR-16-005843	08SEP2016	BW GJ



SECTION E-E  
SCALE 10:1



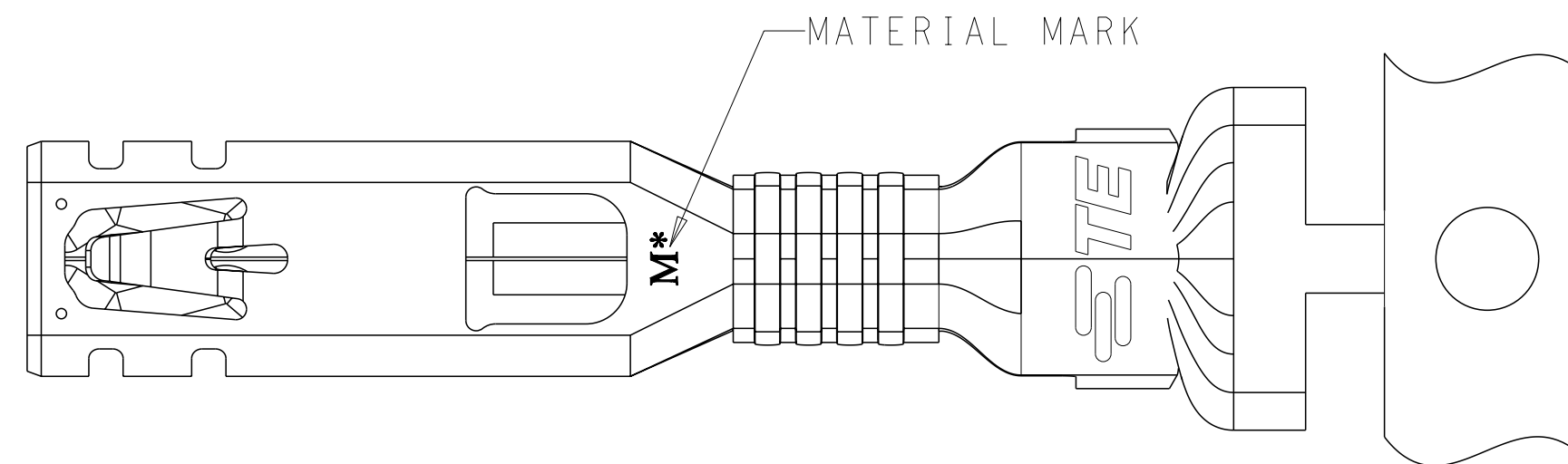
SECTION C-C  
SCALE 10:1



SECTION D-D  
SCALE 10:1

- 1 APPLICABLE MATED PLUG HOUSING P/N: \*-2232362-\*
- 2 APPLICABLE WIRE: 16-19 AWG COPPER STRANDED OR 2x 22 AWG COPPER STRANDED. FOR A #19 AWG WIRE THE RECOMMENDED MINIMUM CROSS-SECTIONAL AREA IS 0.65mm<sup>2</sup> (1300 CMA).
- 3 APPLICABLE INSULATION DIAMETER: 2.00-3.30mm (2.0 mm MAX FOR 2x 22 AWG).

⚠ PRELIMINARY - NOT FOR PRODUCTION.



COPPER ALLOY	M0	HIGH (150°C)	⚠ 2232723-2
PHOS BRONZE	M1	STANDARD (105°C)	2232723-1
MATERIAL	MATERIAL MARK	TEMP. RATING	PART NO.

THIS DRAWING IS A CONTROLLED DOCUMENT.		DWN WEST WANG 20MAR2014	<b>STE</b> TE Connectivity	
DIMENSIONS: mm		CHK DANIEL ZHANG 20MAR2014		
TOLERANCES UNLESS OTHERWISE SPECIFIED:		APVD YUHONG MAO 20MAR2014	RECEPTACLE CONTACT	
0 PLC ±		PRODUCT SPEC 108-106147	3P MFBL POWER TRIPLE LOCK	
1 PLC ±0.5		APPLICATION SPEC 114-106147	SIZE A2	CAGE CODE 00779
2 PLC ±0.30		WEIGHT -	DRAWING NO C-2232723	RESTRICTED TO -
3 PLC ±		MATERIAL SEE TABLE	SCALE -	SHEET 1 OF 1
4 PLC ±		FINISH PRE-TIN	Customer Drawing	REV B
ANGLES ±				