

THIS DRAWING IS UNPUBLISHED. RELEASED FOR PUBLICATION

© COPYRIGHT - By - ALL RIGHTS RESERVED.

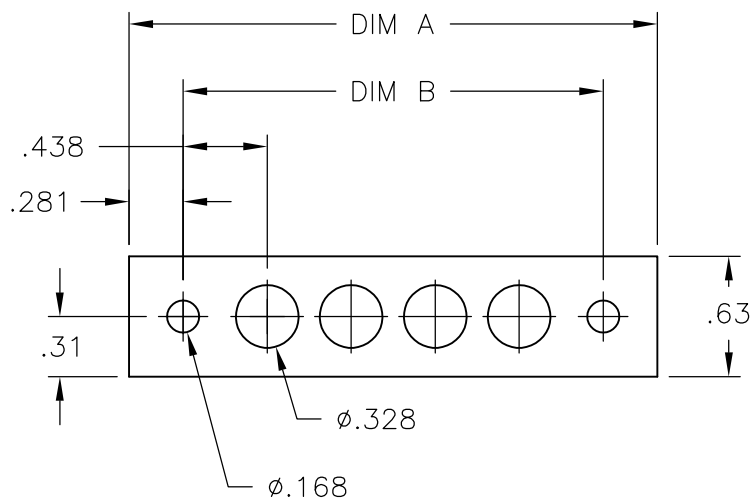
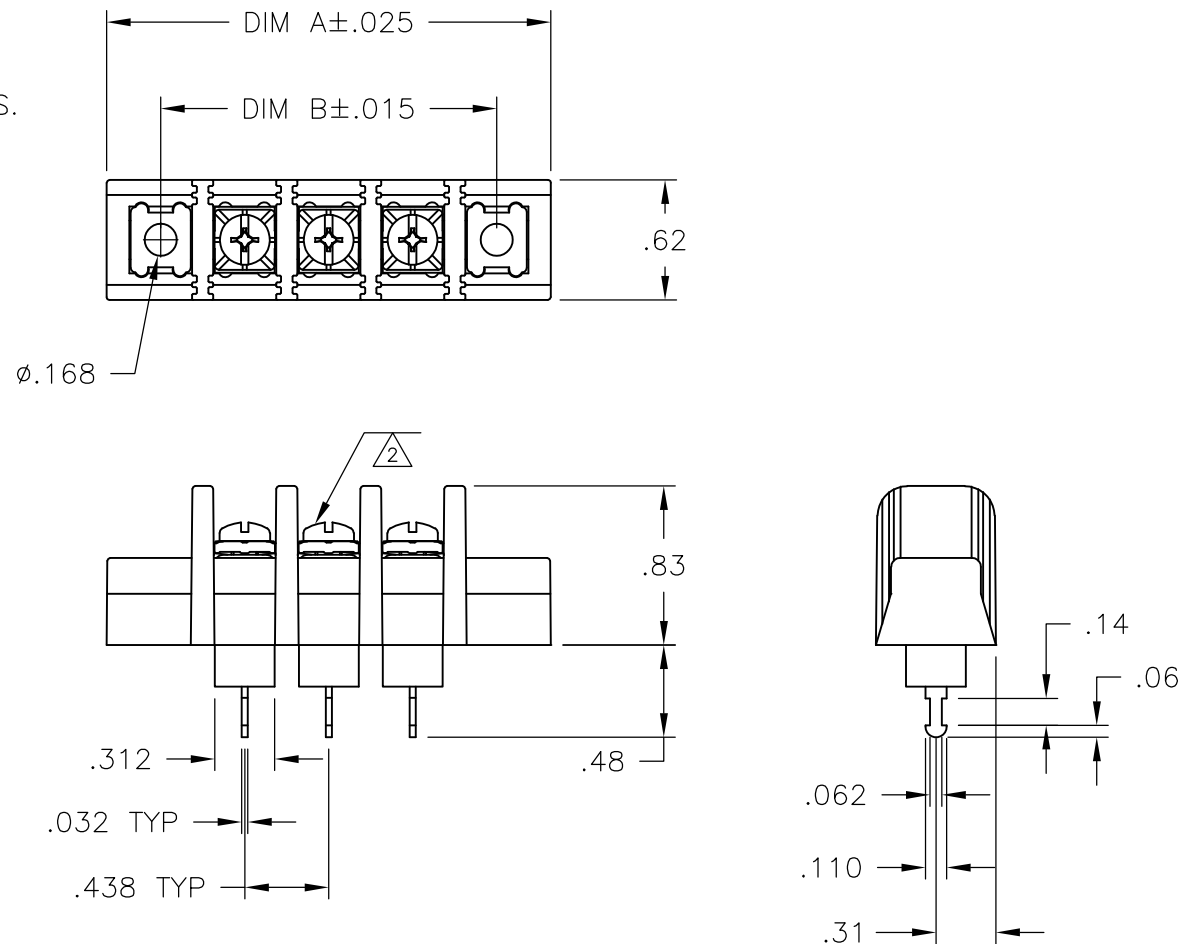
LOC FT	DIST 0	REVISIONS			
P	LTR	DESCRIPTION	DATE	DWN	APVD
	B	REVISED PER ECO-11-023039	21FEB12	KH	MS

MECHANICAL:
 HOUSING: THERMOPLASTIC, UL94V-0, BLACK.
 TERMINALS: BRASS, BRIGHT TIN PLATE.
 SCREWS: 6-32, STEEL, PLATED .0002 MIN ZINC W/
 CLEAR CHROMATE COATING.

ELECTRICAL:
 MAXIMUM CURRENT: 20A.
 OPERATING VOLTAGE: 600V
 WIRE RANGE: 12-22 AWG

ENVIRONMENTAL:
 OPERATING TEMP.: -60°C TO +105°C

- 1 NO BUSHINGS IN THE END CAVITIES.
- 2 ALL SCREWS BOTTOMED, TORQUE 2 TO 4 IN-LBS.



RECOMMENDED PCB LAYOUT

DIM A	NO. OF POS.	CATALOG NUMBER	PART NUMBER
11.937	25	SSB7TG250102	2-1546976-5
11.500	24	SSB7TG240102	2-1546976-4
11.062	23	SSB7TG230102	2-1546976-3
10.625	22	SSB7TG220102	2-1546976-2
10.187	21	SSB7TG210102	2-1546976-1
9.750	20	SSB7TG200102	2-1546976-0
9.312	19	SSB7TG190102	1-1546976-9
8.875	18	SSB7TG180102	1-1546976-8
8.437	17	SSB7TG170102	1-1546976-7
8.000	16	SSB7TG160102	1-1546976-6
7.562	15	SSB7TG150102	1-1546976-5
7.125	14	SSB7TG140102	1-1546976-4
6.687	13	SSB7TG130102	1-1546976-3
6.250	12	SSB7TG120102	1-1546976-2
5.812	11	SSB7TG110102	1-1546976-1
5.375	10	SSB7TG100102	1-1546976-0
4.937	9	SSB7TG090102	1546976-9
4.500	8	SSB7TG080102	1546976-8
4.062	7	SSB7TG070102	1546976-7
3.625	6	SSB7TF060102	8-1437416-5
3.625	6	SSB7TG060102	1546976-6
3.187	5	SSB7TG050102	1546976-5
2.750	4	SSB7TG040102	1546976-4
2.312	3	SSB7TG030102	1546976-3
1.875	2	SSB7TG020102	1546976-2
1.437	1	SSB7TG010102	1546976-1

THIS DRAWING IS A CONTROLLED DOCUMENT.		DWN S SCHL GEL	11/17/06	STE TE Connectivity	
DIMENSIONS: INCHES		CHK S YODER	11/17/06		
TOLERANCES UNLESS OTHERWISE SPECIFIED:		APVD S YODER	11/17/06	NAME SSB7TGXX0102	
0 PLC ± -		PRODUCT SPEC		SIZE	
1 PLC ± -		APPLICATION SPEC		CAGE CODE	
2 PLC ± .02		WEIGHT		DRAWING NO	
3 PLC ± .010		CUSTOMER DRAWING		RESTRICTED TO	
4 PLC ± -		SCALE		SHEET	
ANGLES ± 1°		NTS		1 OF 1	
MATERIAL		FINISH		REV	
-		-		B	