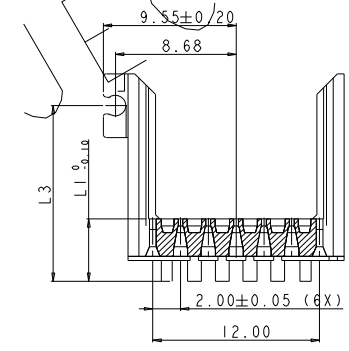
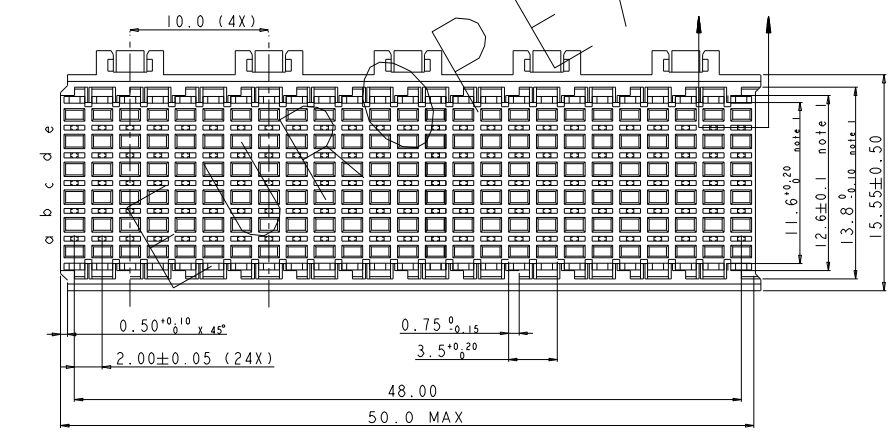
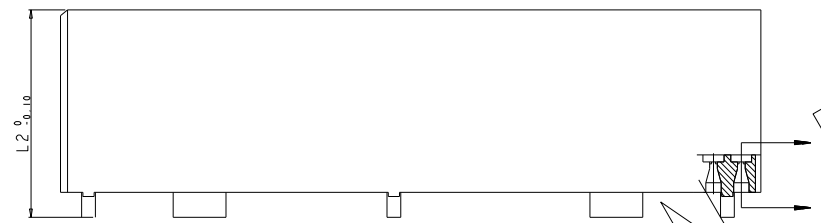
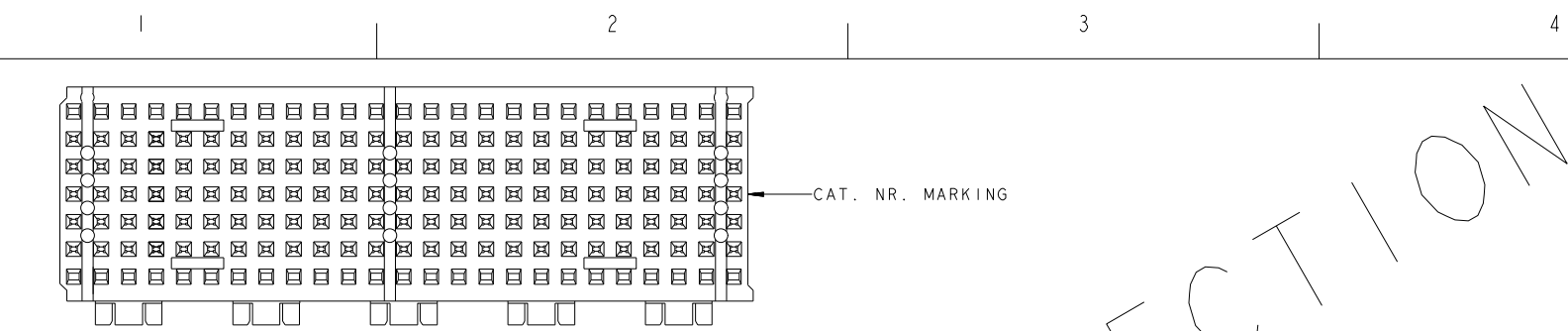


Tous droits strictement réservés.
 Reproduction ou communication à des tiers interdite sous quelque forme que ce soit sans autorisation écrite du propriétaire.
 FCi
 Propriétaire de c FCI. Droits de reproduction



All rights strictly reserved.
 Reproduction or issue to third parties in any form
 whoever is not permitted without written authority from the proprietor.
 Property of FCI. Copyright FCI.



PART NR.	L1	L2	L3	
HM2H05P1LF	3.0	13.45	11.15	AVAILABLE
HM2H05P109LF	3.9	14.35	12.05	AVAILABLE
HM2H05P115LF	4.5	14.95	12.65	AVAILABLE
HM2H05P117LF	4.7	15.15	12.85	AVAILABLE
HM2H05P119LF	4.9	15.35	13.05	AVAILABLE
HM2H05P122LF	5.2	15.65	13.35	AVAILABLE
HM2H05P130LF	6.0	16.45	14.15	AVAILABLE

- NOTES: 1. MEASURED AT THE BOTTOM
 2. MATERIAL: GLASSREINFORCED POLYESTER UL94 - V0
 3. THIS PRODUCT (LF) MEETS EUROPEAN UNION DIRECTIONS AND OTHER COUNTRY REGULATIONS AS DESCRIBED IN GS-22-008
 4. THE PRODUCT IS NOT INTENDED TO BE EXPOSED TO A MANUFACTURING SOLDER PROCESS.

rev	ecn no	dr	date
A	CONVERSION INCLUSION DS	KN	13-09-01
B	DG06-0536	KL	12-13-06
05	BEC 9. 3434	T. C	26-10-98
04	MARKING ADDED	M. F	22-09-98

		www.fciconnect.com	✓	tolerance 1DEC ±0.2 1DEC 2DEC ±0.1 2DEC ANGLES ± 1° HOEKEN	projection 	MM
Dr	W.P.	280294	Product family		size	Scale
Eng			Spec ref		A4	1/3
Chr			Material		ECN	
Appr						
HM2 REAR HEADER WITH LOCKING DEVICE (125 POS)				dwg no	BS,C ,201630,018	
catalog no				HM2H05PI--LF		Rev. B
				CUSTOMER	sheet 1 of 1	