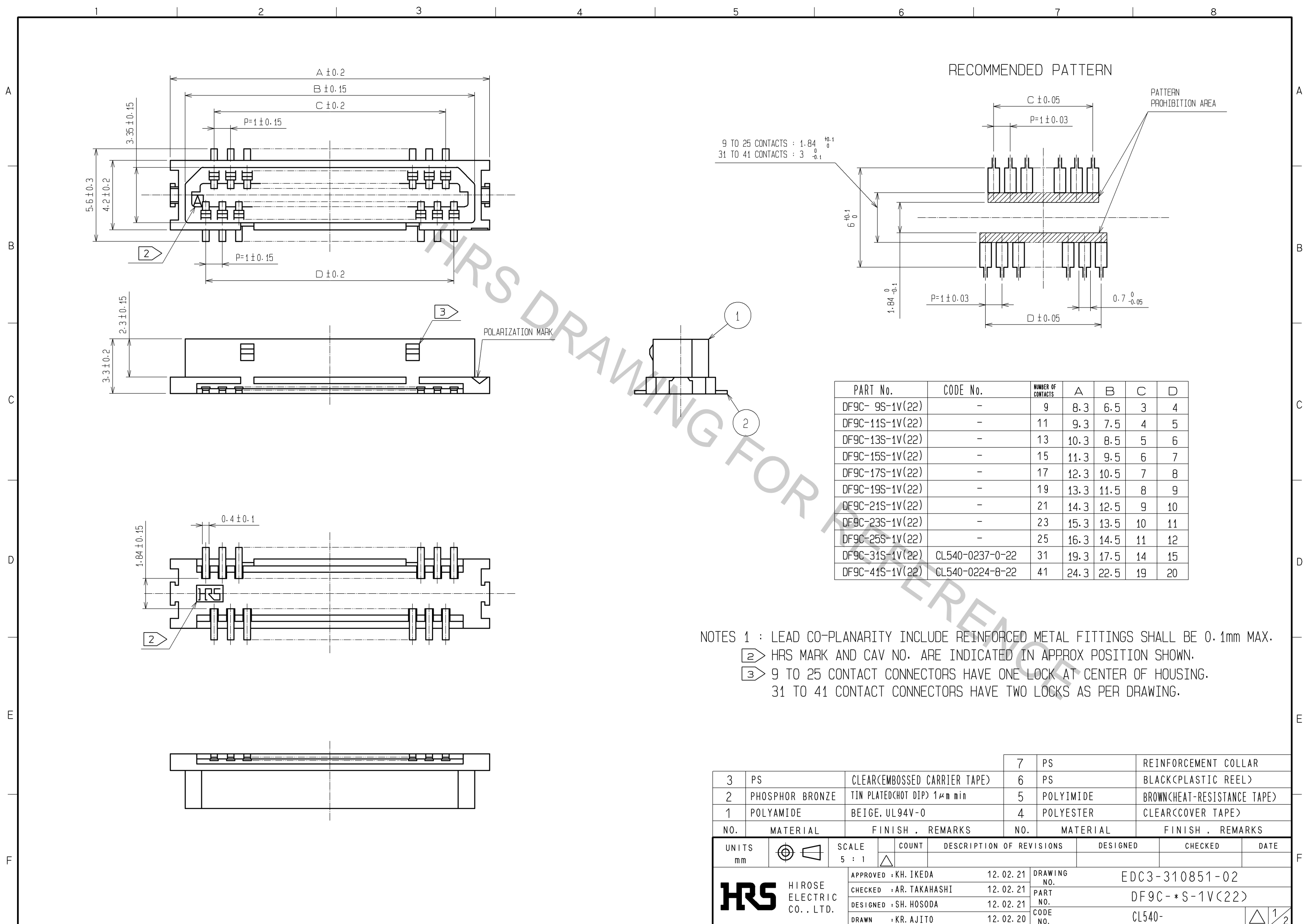


Apr.1.2017 Copyright 2017 HIROSE ELECTRIC CO., LTD. All Rights Reserved.



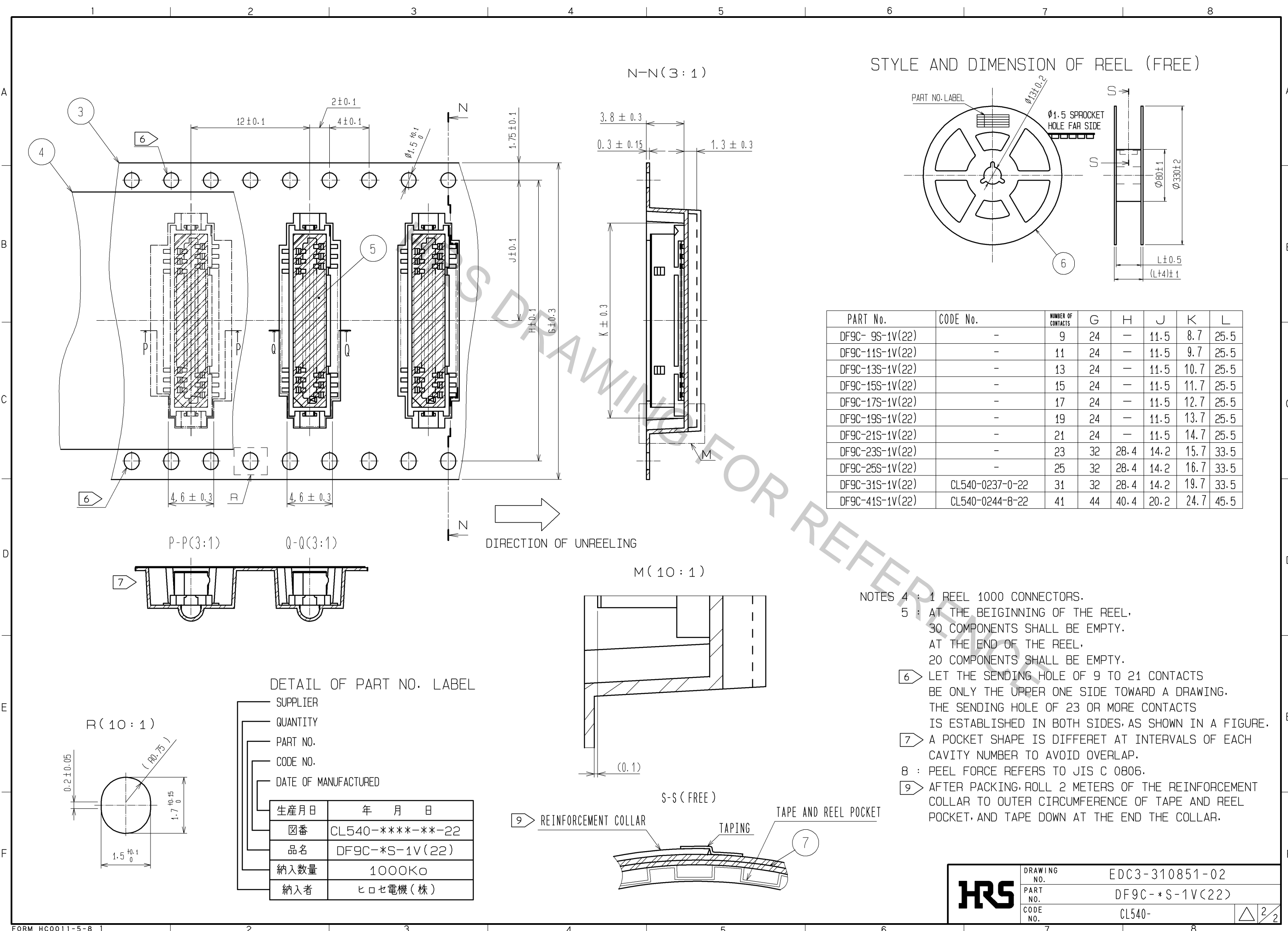
9 TO 25 CONTACTS : $1.84^{+0.1}_0$
 31 TO 41 CONTACTS : $3^{+0.1}_0$

PART No.	CODE No.	NUMBER OF CONTACTS	A	B	C	D
DF9C-9S-1V(22)	-	9	8.3	6.5	3	4
DF9C-11S-1V(22)	-	11	9.3	7.5	4	5
DF9C-13S-1V(22)	-	13	10.3	8.5	5	6
DF9C-15S-1V(22)	-	15	11.3	9.5	6	7
DF9C-17S-1V(22)	-	17	12.3	10.5	7	8
DF9C-19S-1V(22)	-	19	13.3	11.5	8	9
DF9C-21S-1V(22)	-	21	14.3	12.5	9	10
DF9C-23S-1V(22)	-	23	15.3	13.5	10	11
DF9C-25S-1V(22)	-	25	16.3	14.5	11	12
DF9C-31S-1V(22)	CL540-0237-0-22	31	19.3	17.5	14	15
DF9C-41S-1V(22)	CL540-0224-8-22	41	24.3	22.5	19	20

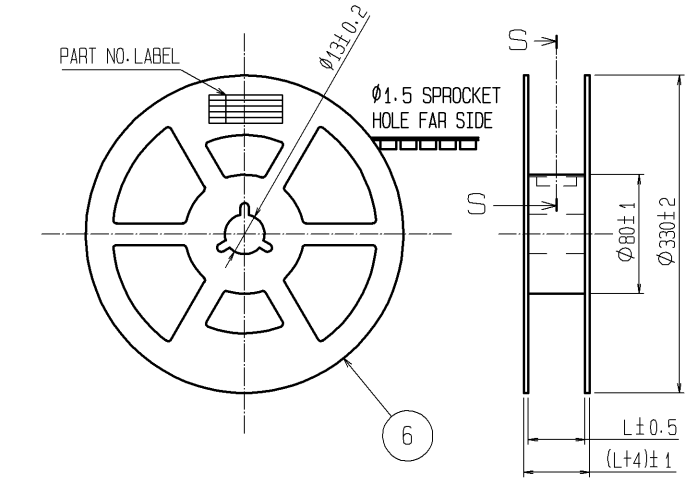
NOTES 1 : LEAD CO-PLANARITY INCLUDE REINFORCED METAL FITTINGS SHALL BE 0.1mm MAX.
 ② HRS MARK AND CAV NO. ARE INDICATED IN APPROX POSITION SHOWN.
 ③ 9 TO 25 CONTACT CONNECTORS HAVE ONE LOCK AT CENTER OF HOUSING.
 31 TO 41 CONTACT CONNECTORS HAVE TWO LOCKS AS PER DRAWING.

3	PS	CLEAR(EMBOSSD CARRIER TAPE)	7	PS	REINFORCEMENT COLLAR
2	PHOSPHOR BRONZE	TIN PLATED(HOT DIP) 1μm min	6	PS	BLACK(PLASTIC REEL)
1	POLYAMIDE	BEIGE, UL94V-0	5	POLYIMIDE	BROWN(HEAT-RESISTANCE TAPE)
			4	POLYESTER	CLEAR(COVER TAPE)
NO.	MATERIAL	FINISH . REMARKS	NO.	MATERIAL	FINISH . REMARKS

UNITS	SCALE	COUNT	DESCRIPTION OF REVISIONS	DESIGNED	CHECKED	DATE
mm	5 : 1	△				
HIROSE ELECTRIC CO., LTD.			APPROVED : KH. IKEDA 12.02.21 CHECKED : AR. TAKAHASHI 12.02.21 DESIGNED : SH. HOSODA 12.02.21 DRAWN : KR. AJITO 12.02.20	DRAWING NO. EDC3-310851-02 PART NO. DF9C-*S-1V(22) CODE NO. CL540-	1/2	



STYLE AND DIMENSION OF REEL (FREE)



PART No.	CODE No.	NUMBER OF CONTACTS	G	H	J	K	L
DF9C-9S-1V(22)	-	9	24	-	11.5	8.7	25.5
DF9C-11S-1V(22)	-	11	24	-	11.5	9.7	25.5
DF9C-13S-1V(22)	-	13	24	-	11.5	10.7	25.5
DF9C-15S-1V(22)	-	15	24	-	11.5	11.7	25.5
DF9C-17S-1V(22)	-	17	24	-	11.5	12.7	25.5
DF9C-19S-1V(22)	-	19	24	-	11.5	13.7	25.5
DF9C-21S-1V(22)	-	21	24	-	11.5	14.7	25.5
DF9C-23S-1V(22)	-	23	32	28.4	14.2	15.7	33.5
DF9C-25S-1V(22)	-	25	32	28.4	14.2	16.7	33.5
DF9C-31S-1V(22)	CL540-0237-0-22	31	32	28.4	14.2	19.7	33.5
DF9C-41S-1V(22)	CL540-0244-8-22	41	44	40.4	20.2	24.7	45.5

DIRECTION OF UNREELING

- NOTES
- 1 REEL 1000 CONNECTORS.
 - AT THE BEIGINNING OF THE REEL, 30 COMPONENTS SHALL BE EMPTY. AT THE END OF THE REEL, 20 COMPONENTS SHALL BE EMPTY.
 - LET THE SENDING HOLE OF 9 TO 21 CONTACTS BE ONLY THE UPPER ONE SIDE TOWARD A DRAWING. THE SENDING HOLE OF 23 OR MORE CONTACTS IS ESTABLISHED IN BOTH SIDES, AS SHOWN IN A FIGURE.
 - A POCKET SHAPE IS DIFFERET AT INTERVALS OF EACH CAVITY NUMBER TO AVOID OVERLAP.
 - PEEL FORCE REFERS TO JIS C 0806.
 - AFTER PACKING, ROLL 2 METERS OF THE REINFORCEMENT COLLAR TO OUTER CIRCUMFERENCE OF TAPE AND REEL POCKET, AND TAPE DOWN AT THE END THE COLLAR.

DETAIL OF PART NO. LABEL

- SUPPLIER
- QUANTITY
- PART NO.
- CODE NO.
- DATE OF MANUFACTURED

生産月日	年月日
図番	CL540-****-**-22
品名	DF9C-*S-1V(22)
納入数量	1000K0
納入者	ヒロセ電機(株)

HRS	DRAWING NO.	EDC3-310851-02
	PART NO.	DF9C-*S-1V(22)
	CODE NO.	CL540-
		△ 2/2