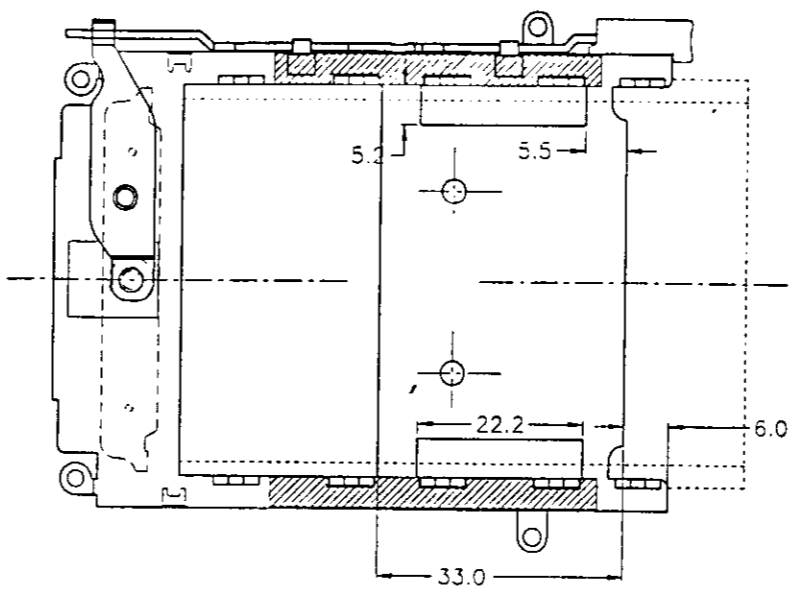
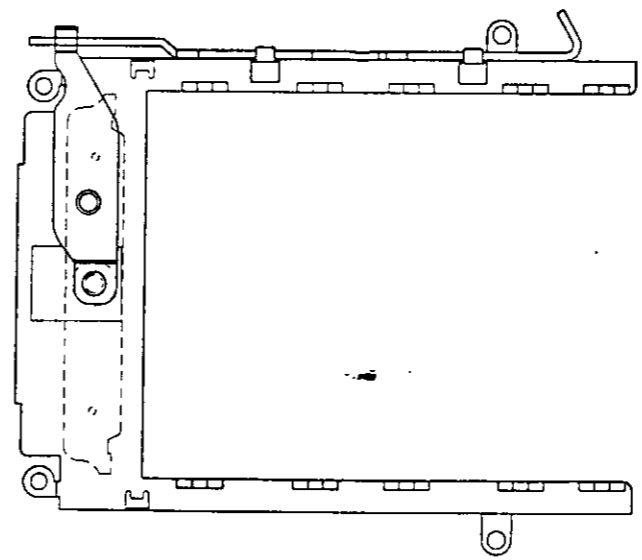


APPLIED FOR 3-11404-X & 4-11404-X SERIES.



APPLIED FOR 2-11404-1.



APPLIED FOR 0-11404-7. \triangle
WITHOUT KNOB; WITH HOOK; NO PLASTIC GUIDE INSERTED.

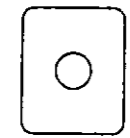


FIG-2

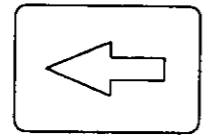


FIG-1

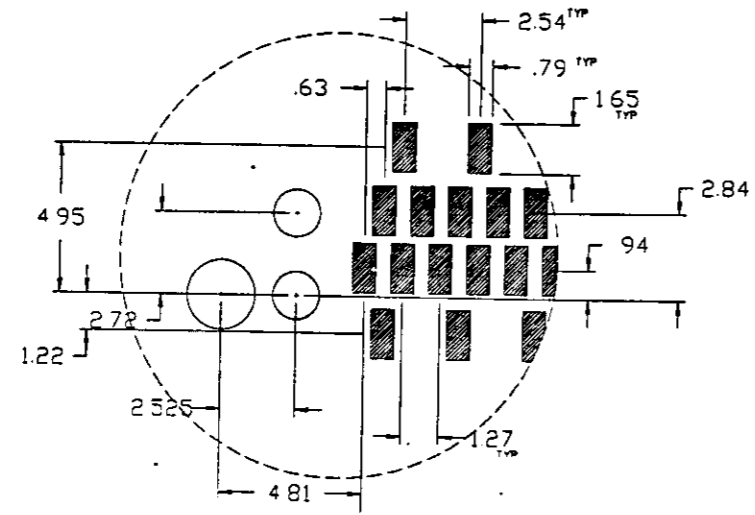
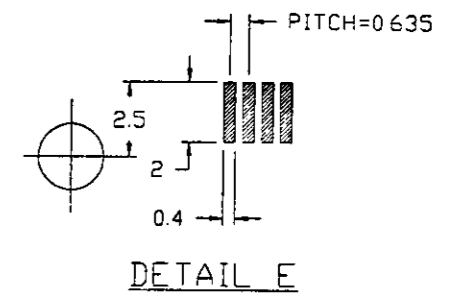
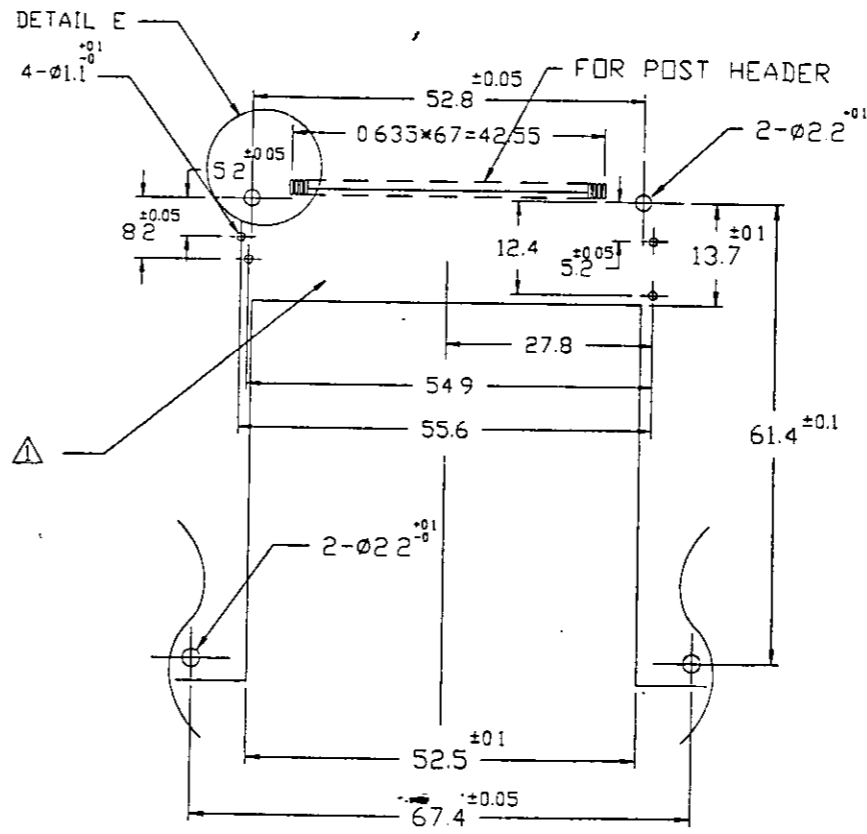
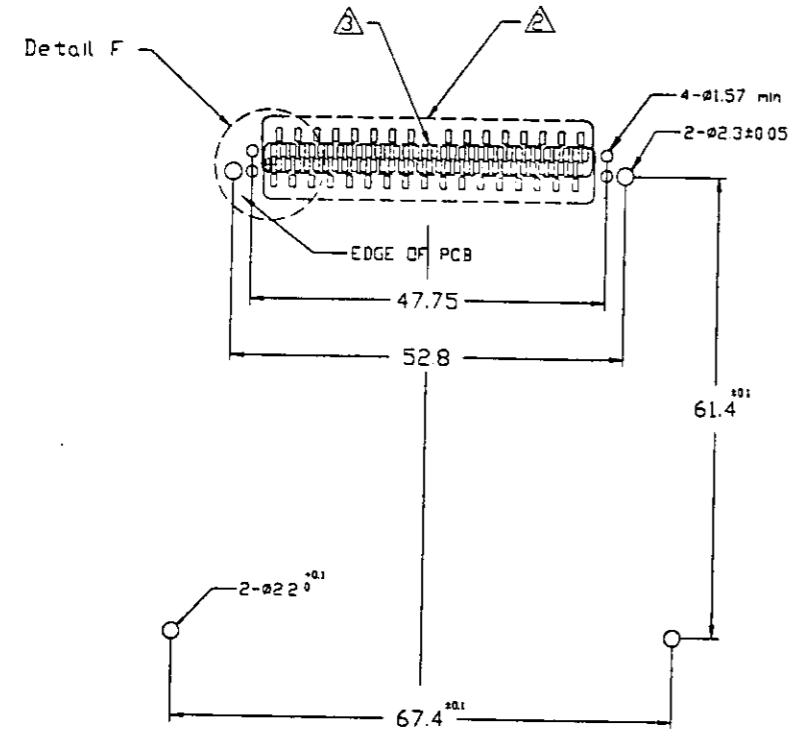


DIMENSIONS IN mm. DO NOT SCALE PRINT.

© 1993 BY AMP MANUFACTURING TAIWAN LTD. ALL RIGHTS RESERVED. PRODUCTS ARE COVERED BY PATENTS AND/OR PATENTS PENDING.				AMP AMP MANUFACTURING TAIWAN LTD.			
				(WIRE RANGE)		(INSULATION DIA.)	
(MATERIAL)		(FINISH)		PCMCIA			
DR. ALBERT YU CHK. ROBERT CHEN		RE. JACK CHANG APP. JACK CHANG		SINGLE EJECTOR ASSY F KNOB R GENERAL TOLERANCE: DECIMAL: ± 0.5 ANGULAR: ± 2°			
LTR. REVISION RECORD DR. CHK. DATE		SEE 1ST PAGE		SIZE: A3 (SCALE): 1:1	LOC: DW (NO.): C-11404 REV: F1 SHEET: 2/3		

(CUSTOMER DRAWING) 2.0628 2.114048

△ FOR JPN PCMCIA HDR, REFER PCB LAYOUT OF C-179034 OR C-179035
 △ FOR USA CARDBUS HDR, REFER PCB LAYOUT OF C-146739-1
 △ FOR USA CARDBUS HDR, REFER PCB LAYOUT OF C-146740-1



AMP
MFG. TAIWAN
MAY 17, 1996
DOCUMENT
CENTER

DIMENSIONS IN mm DO NOT SCALE PRINT.

© 1993 BY AMP MANUFACTURING TAIWAN LTD. ALL RIGHTS RESERVED. PRODUCTS ARE COVERED BY PATENTS AND/OR PATENTS PENDING.				AMP AMP MANUFACTURING TAIWAN LTD	
(MATERIAL) △		(FINISH)	PCMCIA SINGLE EJECTOR ASSY F KNOB R		
DR. _____ CHK. _____		RE. _____ APP. _____	GENERAL TOLERANCE DECIMAL: ± 0.5 ANGULAR: ± 2°	SIZE A3 DW	(QTY) C-11404
LTR. _____ REVISION RECORD		DR. _____ CHK. _____ DATE _____	(SCALE) 1:1	REV F1	SHEET 3/3

SEE 1ST PAGE