
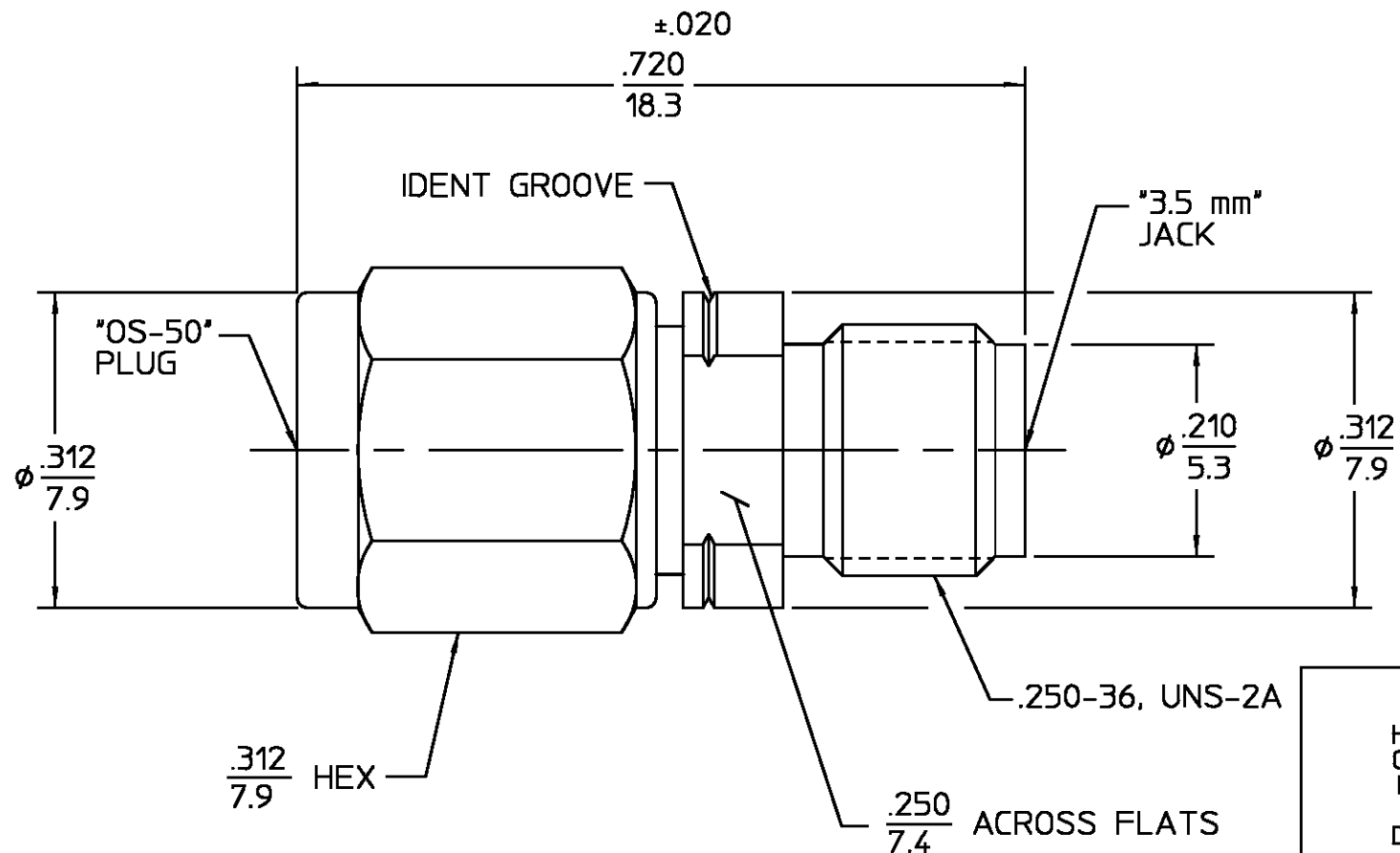



REVISIONS			
REV	DESCRIPTION	DATE	APPROVED
01 ₁	REVISED	KYLE 9-29-97	 10/21/97



HOUSING	STAINLESS STEEL PER ASTM-A484 AND ASTM-A582, TYPE 303	PASSIVATE PER QQ-P-35
COUPLING NUT		
INNER SLEEVE		
DIELECTRIC	PTFE FLUOROCARBON PER ASTM-D-1457	N/A
CENTER CONTACT	BERYLLIUM COPPER PER ASTM-B-196 OR ASTM-B-197, ALLOY C17300, CONDITION H	GOLD PLATE PER MIL-G-45204
RETAINING RING	BERYLLIUM COPPER PER ASTM-B-194, ALLOY C17200, CONDITION H	N/A
GASKET	SILICONE RUBBER PER ZZ-R-765	N/A

COMPONENT	MATERIAL	FINISH
-----------	----------	--------

UNLESS OTHERWISE SPECIFIED DIMENSIONS ARE IN INCHES	DRAWN BY	DATE	 AMP Incorporated 140 Fourth Avenue Waltham, MA 02451-7599
	DAC	01-05-89	
	CHECKED BY	DATE	
	DAC	01-05-89	
	APPD BY	S.M.	01-05-89

These drawings and specifications are the property of M/A COM Interconnect Div. and shall not be reproduced or copied or used in whole or in part as the basis for the manufacture or sale of item(s) without written permission.	USE ASSY PROCEDURE	TITLE		
	N/A	'OS-50' PLUG TO '3.5 mm' JACK ADAPTER		
	NO. A.P. _____	SIZE	CODE IDENT NO.	REV
	B	26805	8582-2352-02	01 ₁
	SCALE	SHEET 1 OF 1		
	6:1			

NOTES:
1. CAPTURED CENTER CONTACT

.XXX = in
XX.X = mm (REF)