

UM10521

TEA1721 isolated universal mains flyback converter demo board

Rev. 1 — 8 March 2012

User manual

Document information

Info	Content
Keywords	TEA1721AT, isolated, universal mains, AC/DC conversion, flyback converter, Switched Mode Power Supply (SMPS)
Abstract	This user manual describes the application of the TEA1721ADB1061 demo board. The demo board is designed as an isolated 12 V, and 3.3 V AC/DC SMPS for supplying up to 5 W into a load.



Revision history

Rev	Date	Description
v.1	20120308	first issue

Contact information

For more information, please visit: <http://www.nxp.com>

For sales office addresses, please send an email to: salesaddresses@nxp.com

1. Introduction

WARNING

Lethal voltage and fire ignition hazard



The non-insulated high voltages that are present when operating this product, constitute a risk of electric shock, personal injury, death and/or ignition of fire.

This product is intended for evaluation purposes only. It shall be operated in a designated test area by personnel qualified according to local requirements and labor laws to work with non-insulated mains voltages and high-voltage circuits. This product shall never be operated unattended.

This user manual describes the application of the TEA1721ADB1061 demo board. The demo board is designed as an isolated 12 V and 3.3 V AC/DC SMPS for supplying up to 5 W to a load.

The switch-mode converter operates in flyback mode at a maximum frequency of around 51 kHz. Overcurrent and short-circuit protection are built in. The power consumption is between 10 mW and 20 mW under no-load conditions.

EMI filtering for compliance with EN55022 has been implemented in this circuit.

1.1 Features and benefits

- Compatible with Universal Mains
- Inrush current limitation
- EMI filtering to meet EMC requirements of EN55022



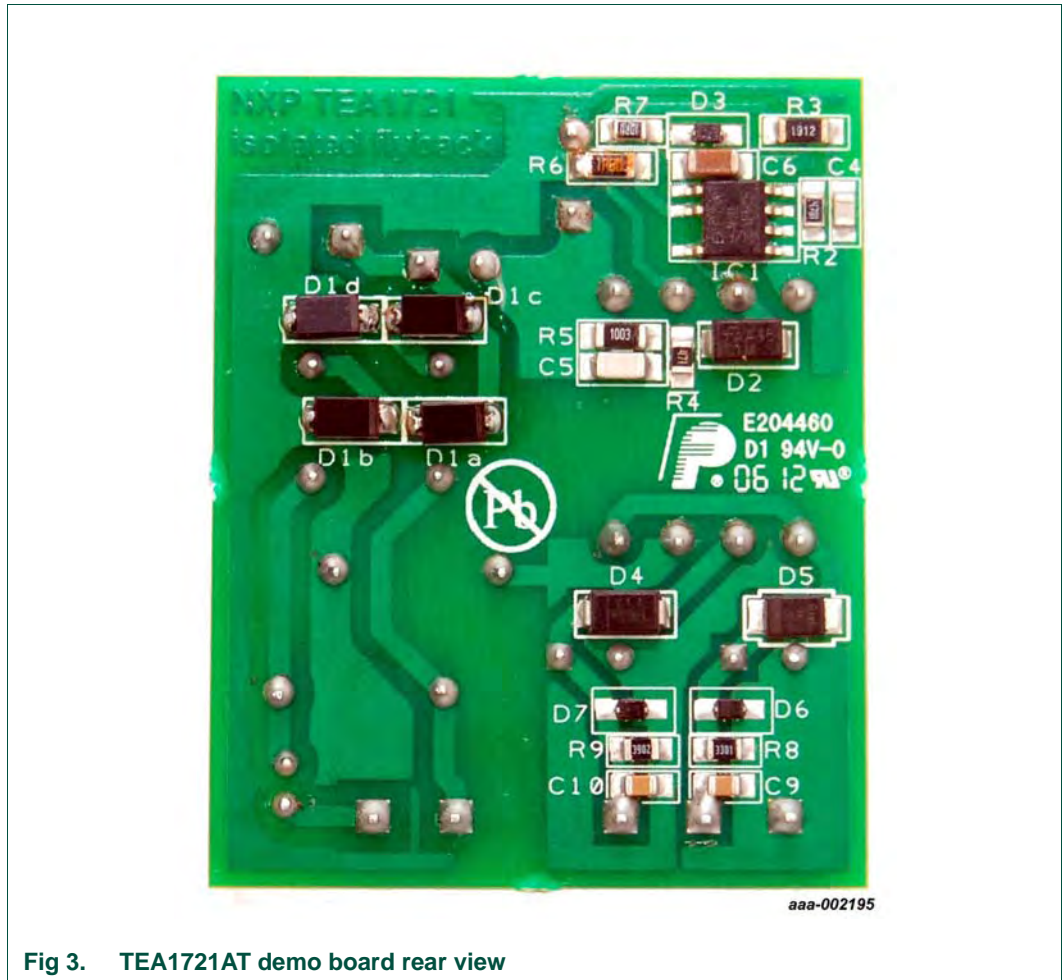


Fig 3. TEA1721AT demo board rear view

4. Demo board connections

The isolated universal mains flyback demo board has an input and an output terminal block.

The input terminal block (right on the picture) is connected to the mains voltage. Live and Neutral wires can be connected randomly to this terminal block.

The output terminal block (left on the picture) provides the 12 V and 3.3 V output voltages, both referenced to a common ground (GND).

Remark: Mount the board in a shielded or isolated box for demonstration purposes.

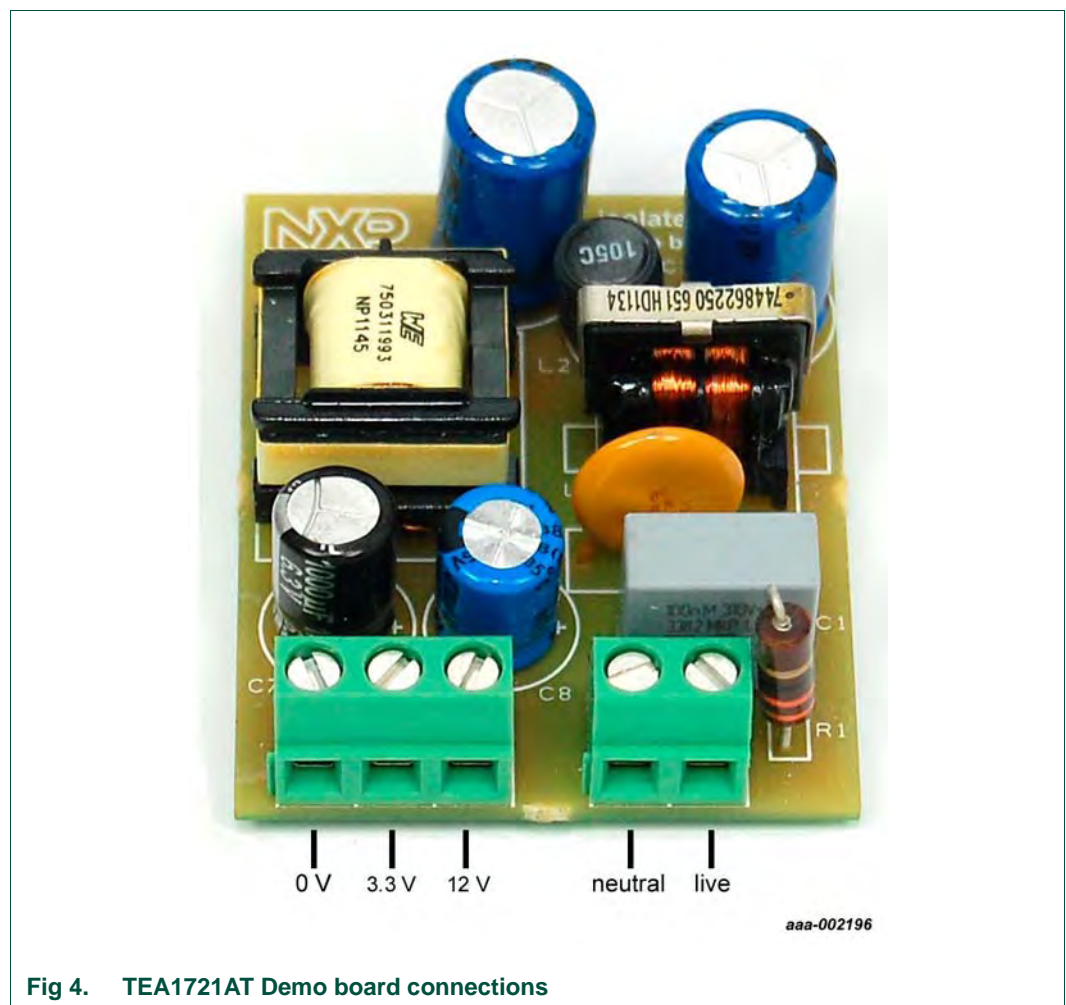


Fig 4. TEA1721AT Demo board connections

5. Demo board schematic

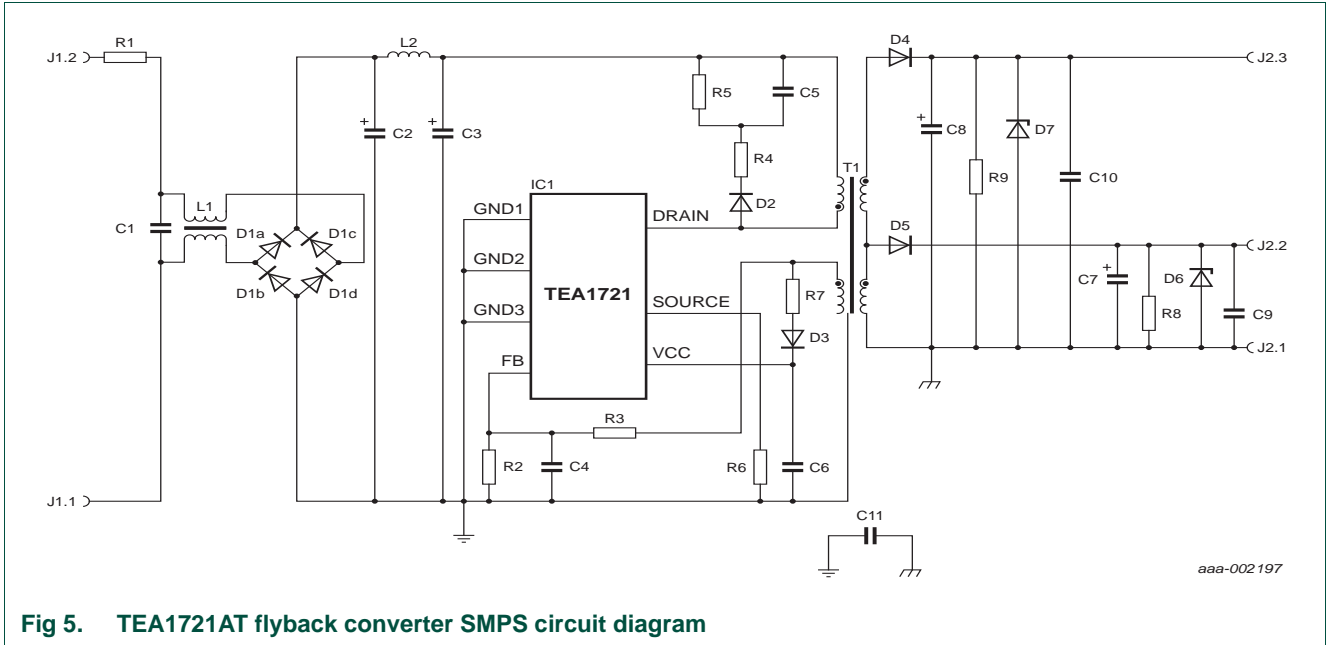


Fig 5. TEA1721AT flyback converter SMPS circuit diagram

6. PCB components

Table 2. Demo board components

Reference	Description and value	Part number	Manufacturer
C1	100 nF; 275 V (AC); 4E pitch	-	-
C2	electrolytic capacitor; Ø10 mm maximum; 4.7 µF; 400 V; 2E pitch	-	-
C3	electrolytic capacitor; Ø10 mm maximum; 4.7 µF; 400 V; 2E pitch	-	-
C4	10 pF; 25 V; 0805	-	-
C5	220 pF; 500 V; 1206	-	-
C6	2.2 µF; 50 V; 1206	-	-
C7	electrolytic capacitor; Ø10 mm maximum; 1 mF; 6.3 V; 1.5E pitch	-	-
C8	electrolytic capacitor; Ø10 mm maximum; 470 µF; 16 V; 1.5E pitch	-	-
C9	100 nF; 25 V; 0805	-	-
C10	100 nF; 25 V; 0805	-	-
C11	Y-capacitor; 2.2 nF; 1 kV; 4E pitch	-	-
D1a	S1M; SMA	-	Fairchild
D1b	S1M; SMA	-	Fairchild
D1c	S1M; SMA	-	Fairchild
D1d	S1M; SMA	-	Fairchild
D2	S1M; SMA	-	Fairchild
D3	BAS316; SOD323	-	NXP Semiconductors
D4	Schottky; 100 V; 1 A; 10MQ100NTRPBF; SMA	-	Vishay
D5	PMEG4050EP; SOD128	-	NXP Semiconductors
D6	BZX384-C3V6; SOD323	-	NXP Semiconductors
D7	BZX384-B12; SOD323	-	NXP Semiconductors
IC1	TEA1721AT; SO7	-	NXP Semiconductors
J1.1; J1.2	2-pole terminal block; 2E pitch	1729128	Phoenix
J2.1; J2.2; J2.3	3-pole terminal block; 2E pitch	1729131	Phoenix
L1	2 × 25 mH; 80 mA; 250 V (AC)	744862250	Würth Elektronik
L2	1 mH; 80 mA; 1.5E pitch	22R105	Murata
R1	carbon resistor; mounted upright; 33 Ω; 1E pitch	-	-
R2	4.7 kΩ; 1 %; 0805	-	-
R3	19.1 kΩ; 1 %; 1206 ^[2]	-	-
R4	470 Ω; 0805	-	-
R5	100 kΩ; 0.5 W; 1206	-	-
R6	1.8 Ω; 0.25 W; 1206	-	-
R7	10 Ω; 0805	-	-

Table 2. Demo board components ...continued

Reference	Description and value	Part number	Manufacturer
R8	3.3 k Ω ; 0805	-	-
R9	39 k Ω ; 0805	-	-
T1	Custom-made transformer ^[1]	750311993	Würth Elektronik

[1] Custom transformer: primary winding inductance 2.4 mH; turns ratio Primary: Secondary: Auxiliary = 6.5 : 1 : 1. The secondary winding must have a tap for the 3.3 V output voltage.

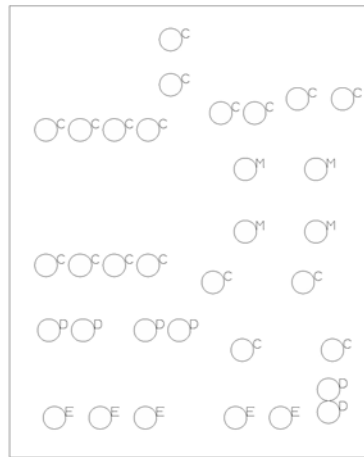
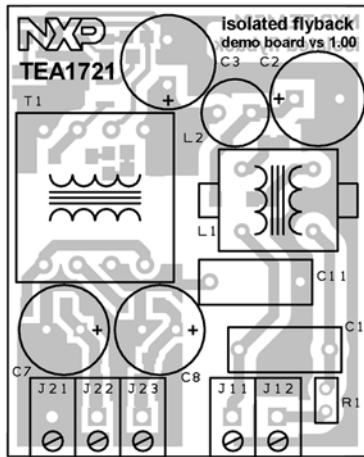
[2] To set the output voltage with greater accuracy, fine-tuning is required.

7. Optional modifications implementation guidelines

- The output voltages are adjusted using resistors R2 and R3. The secondary winding on transformer T1 turns ratio defines the ratio between the two output voltages. Using a different transformer makes other output voltages and/or other output voltage ratios available.
- The maximum output power and output current levels are adjusted using resistor R6. The maximum current allowed in the TEA1721 IC switching MOSFET is 700 mA. Take care that under no circumstances, the peak current in the primary winding of the T1 transformer exceeds 700 mA. Changing the value of R6 also needs a change to the primary inductance value.
- Resistor R1 limits the inrush current. The resistor must be a carbon resistor because metal film resistors can act as a fuse in this position. If no inrush current limiting is required, the resistor can be replaced with a short-circuit.
- EMI-filtering is implemented using separate stages for common mode (L1) and differential mode (L2). Depending on the requirements, the filtering stage can be adapted. For example, inductor L1 can be chosen to ensure that its leakage inductance takes care of differential filtering. As a consequence L2 can be omitted.
- Resistors R8 and R9 form small pre-loads for the converter. When the output voltages are adjusted, also adjust the pre-load resistors to ensure that they consume roughly the same amount of power. Depending on the connected load, eliminate the resistors.
- Zener diodes D6 and D7 implement the elementary output OverVoltage Protection (OVP). When OVP is not needed, eliminate these diodes.
- Capacitors C9 and C10 are used to obtain additional (HF) voltage stability and noise suppression. Eliminate the capacitors when the feature is not needed.
- Capacitor C11 is a Y-capacitor. If the T1 transformer construction provides the required EMI performance without the use of capacitor C11, omit the capacitor.

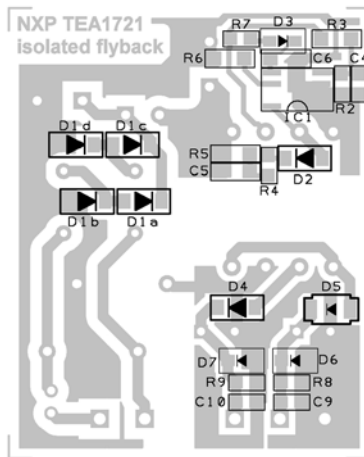
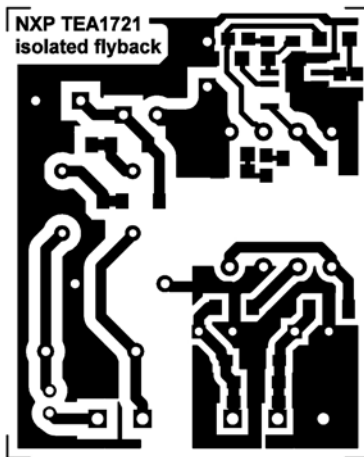
8. Board layout

A 41 mm × 51 mm sized evaluation PCB was created that accommodates an implementation of the TEA1721 isolated universal mains flyback converter.



aaa-002211

a. Top silk screen plus top component placement and drill pattern



aaa-002212

b. Bottom copper and bottom silk screen plus component placement

Fig 6. PCB layout

The bottom silk screen is normally not used in PCB production. Merged with the bottom copper, it is shown here as a component placement reference only. See [Table 2](#) for a list of components.

Table 3. Drill tool table

Drill tool code	Drill diameter
C	1 mm
D	0.9 mm
E	1.3 mm
M	0.8 mm

Gerber files are available from your local NXP Semiconductor sales representative, on request.

9. Abbreviations

Table 4. Abbreviations

Acronym	Description
EMC	ElectroMagnetic Compatibility
EMI	ElectroMagnetic Interference
MOSFET	Metal-Oxide Semiconductor Field-Effect Transistor
OCP	OverCurrent Protection
OPP	OverPower Protection
OVP	OverVoltage Protection
OLP	Open-Loop Protection
PCB	Printed-Circuit Board
PFC	Power Factor Correction
SMPS	Switched Mode Power Supply
ZVS	Zero Voltage Switching

10. References

- [1] **TEA1721XT** - Ultra-low standby SMPS controller with integrated power switch
- [2] **AN11060** - TEA172X 5 W to 11 W power supply/USB charger

11. Legal information

11.1 Definitions

Draft — The document is a draft version only. The content is still under internal review and subject to formal approval, which may result in modifications or additions. NXP Semiconductors does not give any representations or warranties as to the accuracy or completeness of information included herein and shall have no liability for the consequences of use of such information.

11.2 Disclaimers

Limited warranty and liability — Information in this document is believed to be accurate and reliable. However, NXP Semiconductors does not give any representations or warranties, expressed or implied, as to the accuracy or completeness of such information and shall have no liability for the consequences of use of such information. NXP Semiconductors takes no responsibility for the content in this document if provided by an information source outside of NXP Semiconductors.

In no event shall NXP Semiconductors be liable for any indirect, incidental, punitive, special or consequential damages (including - without limitation - lost profits, lost savings, business interruption, costs related to the removal or replacement of any products or rework charges) whether or not such damages are based on tort (including negligence), warranty, breach of contract or any other legal theory.

Notwithstanding any damages that customer might incur for any reason whatsoever, NXP Semiconductors' aggregate and cumulative liability towards customer for the products described herein shall be limited in accordance with the *Terms and conditions of commercial sale* of NXP Semiconductors.

Right to make changes — NXP Semiconductors reserves the right to make changes to information published in this document, including without limitation specifications and product descriptions, at any time and without notice. This document supersedes and replaces all information supplied prior to the publication hereof.

Suitability for use — NXP Semiconductors products are not designed, authorized or warranted to be suitable for use in life support, life-critical or safety-critical systems or equipment, nor in applications where failure or malfunction of an NXP Semiconductors product can reasonably be expected to result in personal injury, death or severe property or environmental damage. NXP Semiconductors and its suppliers accept no liability for inclusion and/or use of NXP Semiconductors products in such equipment or applications and therefore such inclusion and/or use is at the customer's own risk.

Applications — Applications that are described herein for any of these products are for illustrative purposes only. NXP Semiconductors makes no representation or warranty that such applications will be suitable for the specified use without further testing or modification.

Customers are responsible for the design and operation of their applications and products using NXP Semiconductors products, and NXP Semiconductors accepts no liability for any assistance with applications or customer product design. It is customer's sole responsibility to determine whether the NXP Semiconductors product is suitable and fit for the customer's applications and products planned, as well as for the planned application and use of customer's third party customer(s). Customers should provide appropriate design and operating safeguards to minimize the risks associated with their applications and products.

NXP Semiconductors does not accept any liability related to any default, damage, costs or problem which is based on any weakness or default in the customer's applications or products, or the application or use by customer's third party customer(s). Customer is responsible for doing all necessary testing for the customer's applications and products using NXP Semiconductors products in order to avoid a default of the applications and the products or of the application or use by customer's third party customer(s). NXP does not accept any liability in this respect.

Export control — This document as well as the item(s) described herein may be subject to export control regulations. Export might require a prior authorization from competent authorities.

Evaluation products — This product is provided on an "as is" and "with all faults" basis for evaluation purposes only. NXP Semiconductors, its affiliates and their suppliers expressly disclaim all warranties, whether express, implied or statutory, including but not limited to the implied warranties of non-infringement, merchantability and fitness for a particular purpose. The entire risk as to the quality, or arising out of the use or performance, of this product remains with customer.

In no event shall NXP Semiconductors, its affiliates or their suppliers be liable to customer for any special, indirect, consequential, punitive or incidental damages (including without limitation damages for loss of business, business interruption, loss of use, loss of data or information, and the like) arising out of the use of or inability to use the product, whether or not based on tort (including negligence), strict liability, breach of contract, breach of warranty or any other theory, even if advised of the possibility of such damages.

Notwithstanding any damages that customer might incur for any reason whatsoever (including without limitation, all damages referenced above and all direct or general damages), the entire liability of NXP Semiconductors, its affiliates and their suppliers and customer's exclusive remedy for all of the foregoing shall be limited to actual damages incurred by customer based on reasonable reliance up to the greater of the amount actually paid by customer for the product or five dollars (US\$5.00). The foregoing limitations, exclusions and disclaimers shall apply to the maximum extent permitted by applicable law, even if any remedy fails of its essential purpose.

11.3 Trademarks

Notice: All referenced brands, product names, service names and trademarks are the property of their respective owners.

12. Contents

1	Introduction	3
1.1	Features and benefits	3
2	Safety Warning	4
3	Specification	4
4	Demo board connections	7
5	Demo board schematic	8
6	PCB components	9
7	Optional modifications implementation guidelines	11
8	Board layout	12
9	Abbreviations	13
10	References	13
11	Legal information	14
11.1	Definitions	14
11.2	Disclaimers	14
11.3	Trademarks	14
12	Contents	15

Please be aware that important notices concerning this document and the product(s) described herein, have been included in section 'Legal information'.

© NXP B.V. 2012.

All rights reserved.

For more information, please visit: <http://www.nxp.com>

For sales office addresses, please send an email to: salesaddresses@nxp.com

Date of release: 8 March 2012

Document identifier: UM10521