

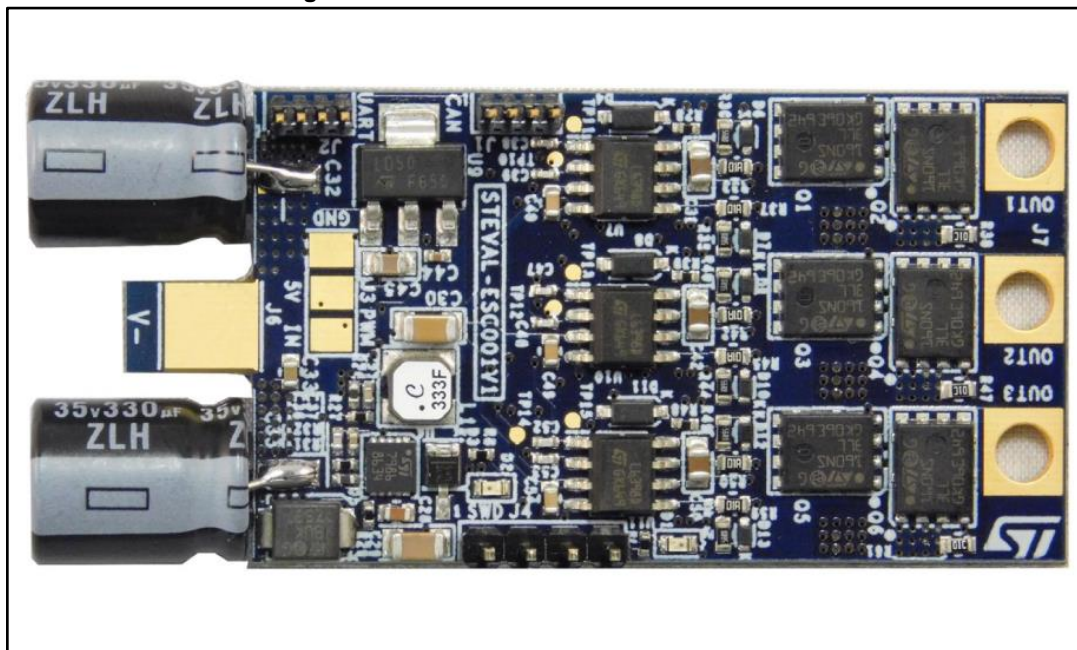
Electronic speed controller for BLDC and PMSM three phase brushless motor

Introduction

The STEVAL-ESC001V1 evaluation board is based on the STM32F303 microcontroller, L6398 driver and STL160NS3LLH7 power MOSFETs. It is an electronic speed controller (ESC) designed to drive a single three phase brushless motor (BLDC/PMSM), performing a sensorless FOC algorithm with speed regulation and active braking function. This unit can accept commands from an external unit for driving and monitoring a flight control board, for instance. For this purpose, several communication bus interfaces (UART, CAN, I²C) are available.

The board includes a BEC 5 V circuit and embeds an overcurrent/overvoltage and thermal protection circuit. Its form factor renders it suitable for small and light R/C vehicles and its motor current capability meets the power requirements of larger vehicles like professional drones.

Figure 1: STEVAL-ESC001V1 evaluation board



Contents

1	Main features	5
1.1	Target application.....	5
2	Description.....	6
2.1	STEVAL-ESC001V1 hardware overview	8
2.1.1	STEVAL-ESC001V1 top side components	8
2.1.2	STEVAL-ESC001V1 bottom side components	9
2.1.3	Board dimensions (29.1 x 58 mm)	10
2.2	Communication, programming and command interfaces	10
2.3	STM32 pinout for motor control.....	11
3	Initializing and using the STEVAL-ESC001V1 ESC board	13
4	Schematic diagrams.....	19
5	Bill of materials.....	23
6	Revision history	28

List of tables

Table 1: Main STM32 pinout for motor control	11
Table 2: Input/output terminals	12
Table 3: Relationship between the STEVAL board SWD pinout and SWD on ST-Link/V2 programmer.	13
Table 4: Document revision history	28

List of figures

Figure 1: STEVAL-ESC001V1 evaluation board	1
Figure 2: STEVAL-ESC001V1 target applications	5
Figure 3: System structure overview	7
Figure 4: Typical quadcopter architecture	7
Figure 5: STEVAL-ESC001V1 block diagram	8
Figure 6: Top side features	8
Figure 7: Bottom side features	10
Figure 8: STEVAL-ESC001V1 board dimensions (not including capacitors)	10
Figure 9: UART TX/RX (3v3 level).....	11
Figure 10: STEVAL-ESC001V1 connection for MCU programming	13
Figure 11: Sample SWD configuration on IAR tool	14
Figure 12: STEVAL-ESC001V1 input/output connection	15
Figure 13: ST MC Workbench	15
Figure 14: ST MC Workbench – electrical motor parameters	16
Figure 15: ST MC Workbench – startup parameters.....	17
Figure 16: IAR tool select, compile and upload	18
Figure 17: PWM input signal for motor speed regulation	18
Figure 18: STEVAL-ESC001V1 circuit schematic (1 of 4)	19
Figure 19: STEVAL-ESC001V1 circuit schematic (2 of 4)	20
Figure 20: STEVAL-ESC001V1 circuit schematic (3 of 4)	21
Figure 21: STEVAL-ESC001V1 circuit schematic (4 of 4)	22

1 Main features

- 3 phase driver board for BLDC/PMSM motors with discrete N-channel 30 V, 160 A STripFET™ H7 Power MOSFETs
- 48-pin STM32 with FPU ARM® Cortex®-M4 MCU with 128 Kbytes Flash, 72 MHz CPU, MPU, CCM, 12-bit ADC 5 MSPS, PGA, comparators
- Nominal operating voltage range: 3S-6S Li-Po battery DC voltage level (11.1 V up to 22.2 V)
- Maximum RMS output current: 20 Arms
- Output peak current: 30 A
- BEC available (5 V, 0.5 A for supplying external board; e.g., flight control board)
- Designed for field oriented control (FOC) in sensorless mode
- Supported by ST motor control software development kit (SDK)
- Ready to use with ST motor profiler
- 3-shunt mode supported for motor current sensing
- Cross conduction protection based on L6398 driver
- Overcurrent and overvoltage protection feature (OCP/OVP)
- Thermal measuring and overheating protection with on-board NTC
- Horizontal bus capacitors for low profile
- CAN, UART, I²C, SWD and PWM connectors available
- Fully populated board conception with test points for DAC, GPIOs, PWM signals, motor current feedback and CAN
- User LEDs (green and red)
- Target applications: motor driving for R/C vehicles, UAV drone, electric car etc.
- PCB type and size:
 - PCB material: FR-4
 - Multi-layer architecture
 - Dimensions: 29.1 mm x 58 mm
- RoHS compliant

1.1 Target application

Motor driving for remote control vehicles, UAV drones, electrical cars and boats, etc.

Figure 2: STEVAL-ESC001V1 target applications



2 Description

The STEVAL-ESC001V1 electronic speed controller (ESC) evaluation board drives a single three phase brushless motor with very high performance in sensorless mode (without position sensor).

It is designed to provide fast and efficient propulsion for remote control applications like electric cars, boats and drones and is capable of low and very high speed regulation and strong dynamic response under different load conditions.

An external signal via a communication bus between the board and a generic central unit sets the speed regulation reference and another signal reports the status of the system, including faults, which the central unit can use to trigger corrective events.

The same 6Step (or trapezoidal) control algorithm (often with no shunt resistors) drives the many different ESCs offering various motor current, size and input voltages for remote control applications.

A more sophisticated control algorithm is used in the STEVAL-ESC001V1, based on field oriented control (FOC); it features:

- better torque control
- motor current regulation in case of fast load change
- vibration reduction
- active braking function
- better efficiency
- noise reduction
- a real-time monitor of the rotor speed
- energy recovery during the deceleration

The typical system architecture pictured below shows individual ESC boards connected to single brushless motors in a quadcopter system. An external Li-Po battery powers the four boards and a wired bus carries communication between each board and an external unit such as a flight control board.

Figure 3: System structure overview

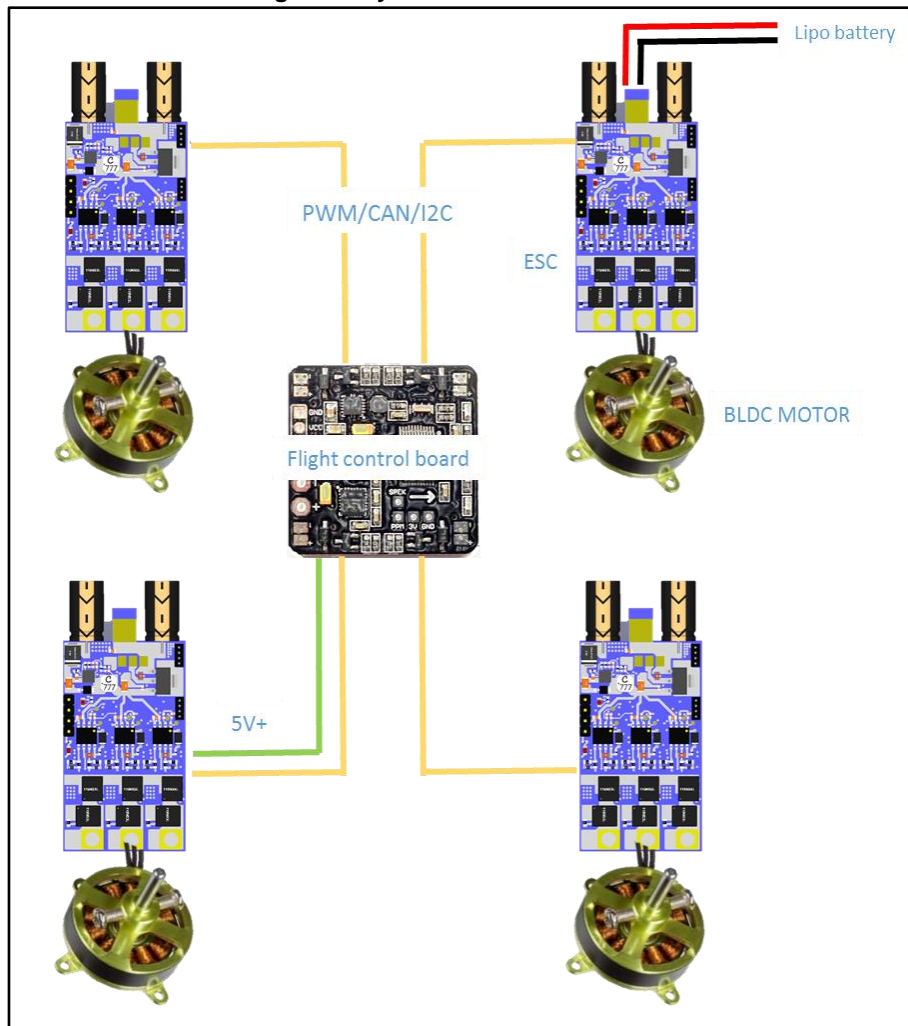
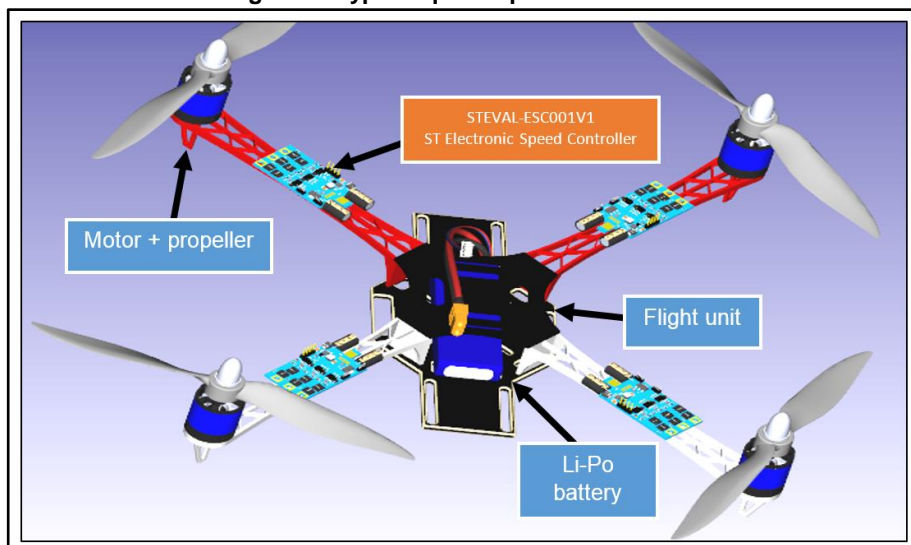


Figure 4: Typical quadcopter architecture

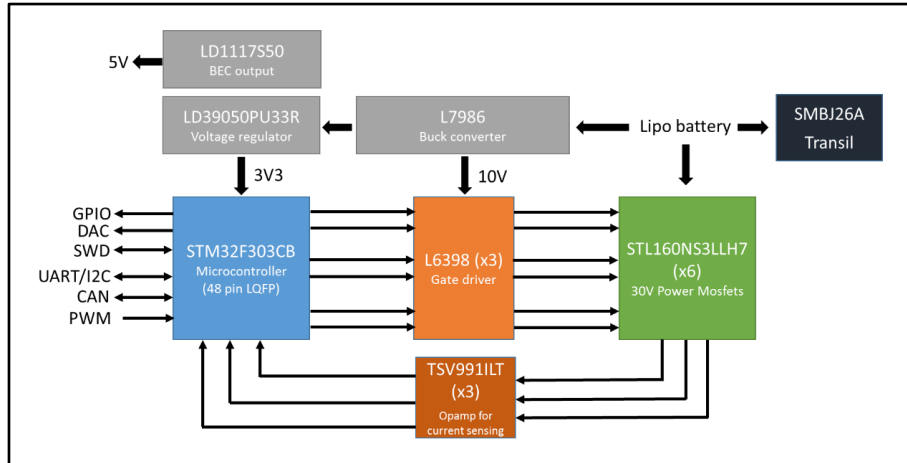


The on-board I²C, UART, PWM and CAN communication protocols provide maximum flexibility and a DC-DC converter with 5 V output connector (BEC) can supply an external control unit or sensor board.

2.1 STEVAL-ESC001V1 hardware overview

The STEVAL-ESC001V1 power and control platform is based on the ST componentry illustrated below.

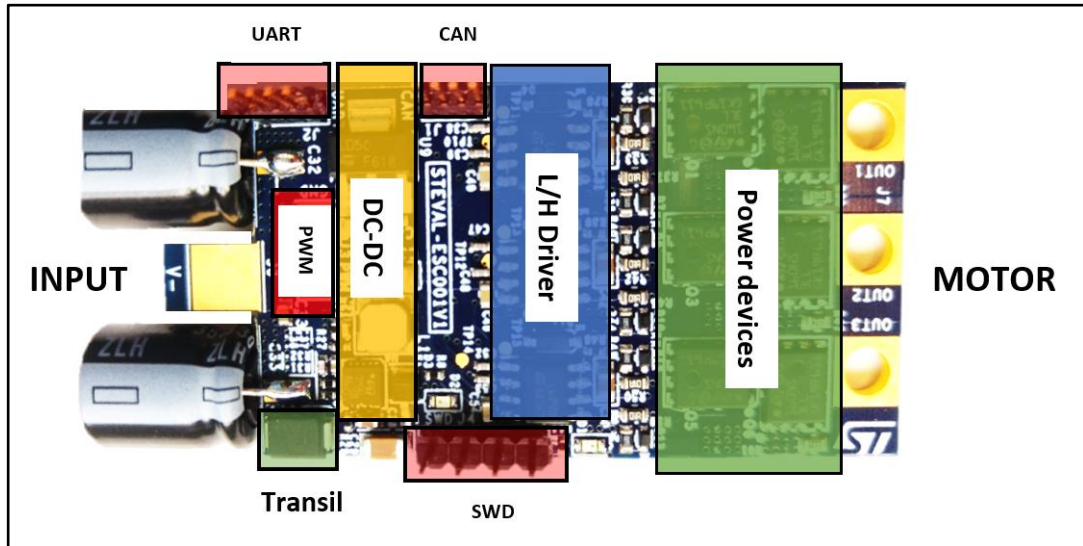
Figure 5: STEVAL-ESC001V1 block diagram



2.1.1 STEVAL-ESC001V1 top side components

The inverter section is formed by the L6398 gate driver and the STL160NS3LLH7 and the Power MOSFETs.

Figure 6: Top side features



L6398 high voltage high and low-side driver

The L6398 is a high voltage device manufactured with the BCD™ “offline” technology. It is a single-chip half bridge gate driver for the N-channel power MOSFET or IGBT.

The high-side (floating) section is designed to stand a voltage rail up to 600 V. The logic inputs are CMOS/TTL compatible down to 3.3 V for the easy interfacing microcontroller/DSP.

Key features:

- High voltage rail up to 600 V
- dV/dt immunity ± 50 V/ns in full temperature range
- Driver current capability:
 - 290 mA source
 - 430 mA sink
- Switching times 75/35 ns rise/fall with 1 nF load
- 3.3 V, 5 V TTL/CMOS input comparators with hysteresis
- Integrated bootstrap diode
- Fixed 320 ns deadtime
- Interlocking function
- Compact and simplified layout
- Bill of material reduction
- Flexible, easy and fast design

STL160NS3LLH7 160 A STripFET™ H7 Power MOSFETs plus monolithic Schottky

This device exhibits low on-state resistance and capacitance for improved conduction and switching performance, in particular it performs:

- Very low on-resistance
- Very low Qg
- High avalanche ruggedness
- Embedded Schottky diode

L7986, LD1117S50 and LD39050PU33R

These devices provide the appropriate voltage for gate driving, BEC output and MCU power.

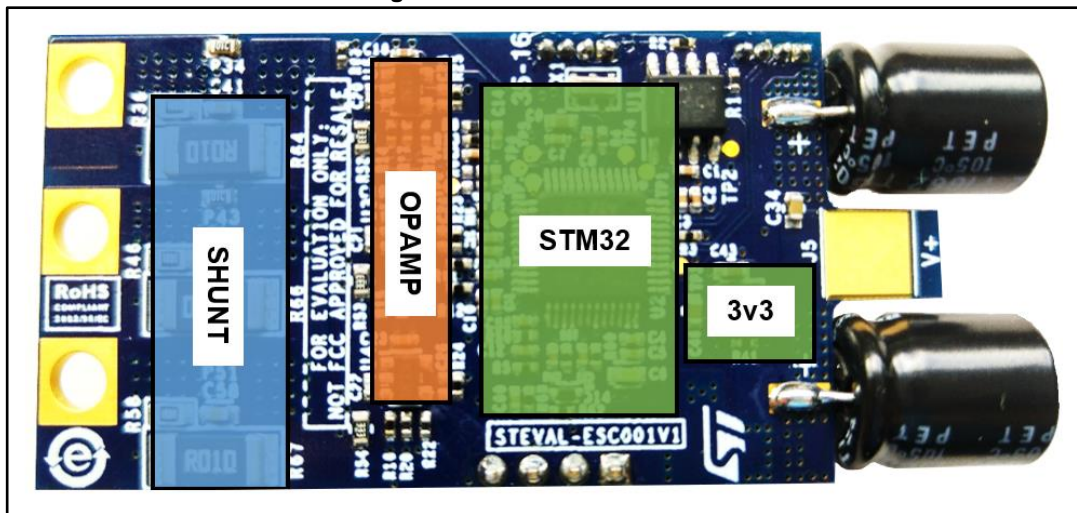
2.1.2 STEVAL-ESC001V1 bottom side components

Bottom side componentry is mainly for the digital section; featuring an STM32F303 microcontroller for three-shunt sensorless FOC control in an LQFP 48-pin package.

STM32F303xB 32-bit ARM Cortex-M4 MCU with 128 Kbytes Flash and 72 MHz CPU

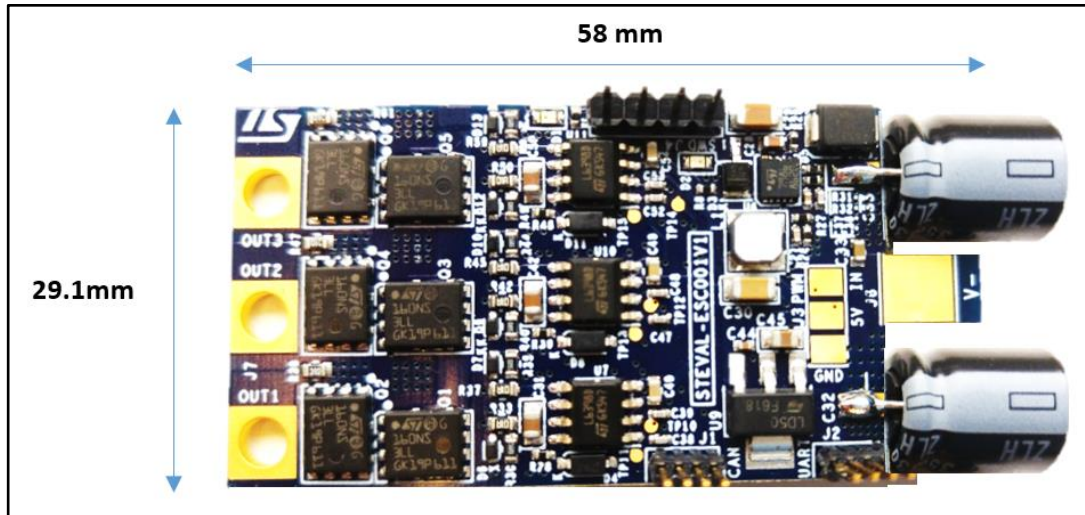
The family of microcontrollers is based on the high-performance ARM®Cortex®-M4 32-bit RISC core plus FPU operating at 72 MHz max and embedded memory protection unit (MPU).

Figure 7: Bottom side features



2.1.3 Board dimensions (29.1 x 58 mm)

Figure 8: STEVAL-ESC001V1 board dimensions (not including capacitors)

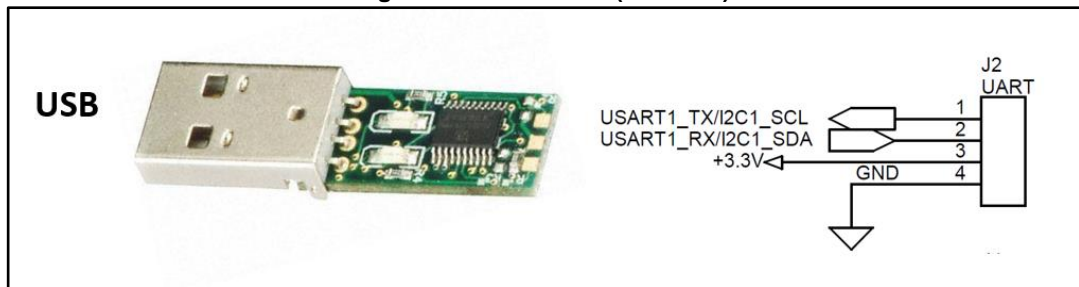


2.2 Communication, programming and command interfaces

The STEVAL-ESC001 features these communication interfaces:

- **CAN port (J1):** comes with an on-board transceiver; the J1 connector includes 3V3 and GND pins.
- **UART/I²C port (J2):** normally used for serial communication between the ESC board and a PC; ST MC Workbench can be connected with the STM32, adding an external circuit (requires USB/RS232 converter-3v3 level)

Figure 9: UART TX/RX (3v3 level)



- **PWM signal input (J3):** connects with an external board (e.g., flight control unit), to receive commands; the signal level (at 3v3) sets the motor speed according to the Ton duration (i.e., 1060 μs for min. speed and 1860 μs for max. speed). Other pins are for GND and a +5Vdc power line to supply an external board
- **SWD debug port (J4):** provides the SWD connection between the STM32 and ST-LINK programmer; other pins like 3V3 and GND are available.

2.3 STM32 pinout for motor control

Table 1: Main STM32 pinout for motor control

Pin	Default	Signal	Solder Bridge
1	VBAT	3V3	
2	PC13/TAMP/RTC	TP4	
3	PC14	N.C.	
4	PC15	N.C.	
5	PF0/OSC-IN	OSC 8Mhz	
6	PF1/OSC-OUT	OSC 8Mhz	R4
7	NRST	RESET	
8	VSSA/VREF-	GND	
9	VDDA/VREF+	3V3	
10	PA0-WKUP	Curr_fdbk1	
11	PA1	Curr_fdbk2	
12	PA2	Curr_fdbk3	
13	PA3	Temperature feedback	
14	PA4	VREF, DAC1, TP8	R6 N.M.
15	PA5	DAC2, TP9	
16	PA6	N.C.	
17	PA7	Vshunt_1_filtered	
18	PB0	Vshunt_2_filtered	
19	PB1	TIM1_CH3N	
20	PB2	STATUS	
21	PB10	N.C.	
22	PB11	Vshunt_3_filtered	
23	VSS1	GND	

Pin	Default	Signal	Solder Bridge
24	VDD1	3V3	
25	PB12	PHASE_1	
26	PB13	VBUS	R5
27	PB14	PHASE_2	
28	PB15	PHASE_3	
29	PA8	TIM1_CH1	
30	PA9	TIM1_CH2	R51
31	PA10	TIM1_CH3	
32	PA11	TIM1_CH1N	
33	PA12	TIM1_CH2N	
34	PA13	SWDIO	
35	VSS2	GND	
36	VDD2	3V3	
37	PA14	SWCLK	
38	PA15	INPUT	
39	PB3	N.C.	
40	PB4	TP3	
41	PB5	N.C.	
42	PB6	USART1_TX/I2C1_SCL	
43	PB7	USART1_RX/I2C1_SDA	
44	BOOT0	BOOT0	R3
45	PB8	CAN_RX	
46	PB9	CAN_TX	
47	VSS		
48	VDD		

Table 2: Input/output terminals

Screw Terminal	Function
J5/J6	Li-Po battery power input (3S-6S)
J7	3-PH Motor connector

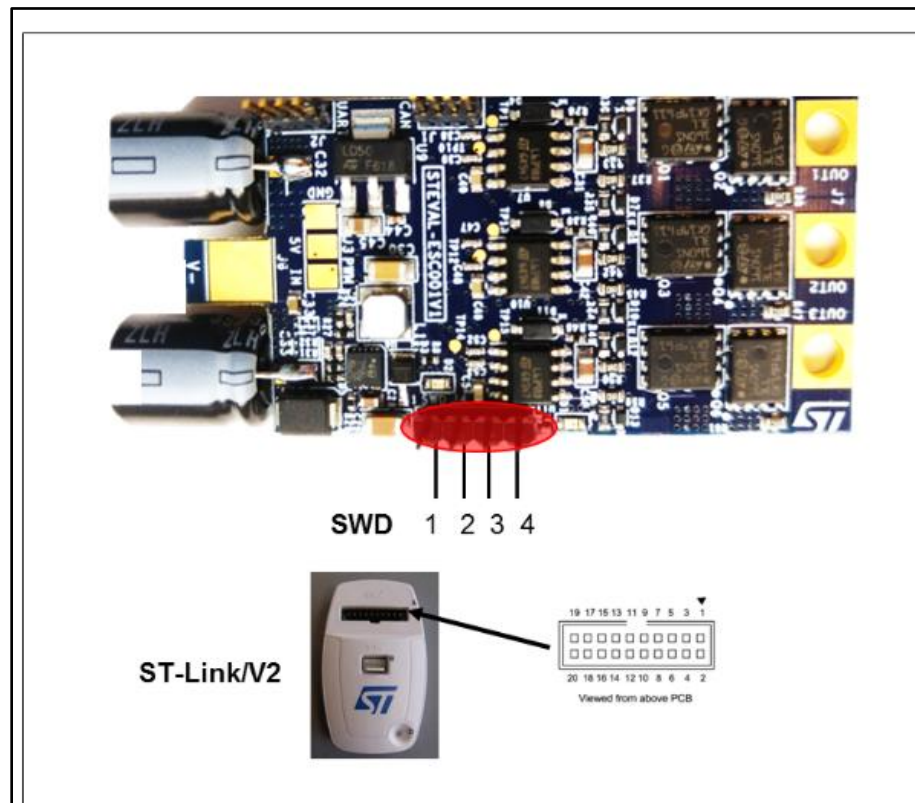
3 Initializing and using the STEVAL-ESC001V1 ESC board

- 1 Connect the ST-Link/V2 programmer to the J4 connector on the board.

Table 3: Relationship between the STEVAL board SWD pinout and SWD on ST-Link/V2 programmer

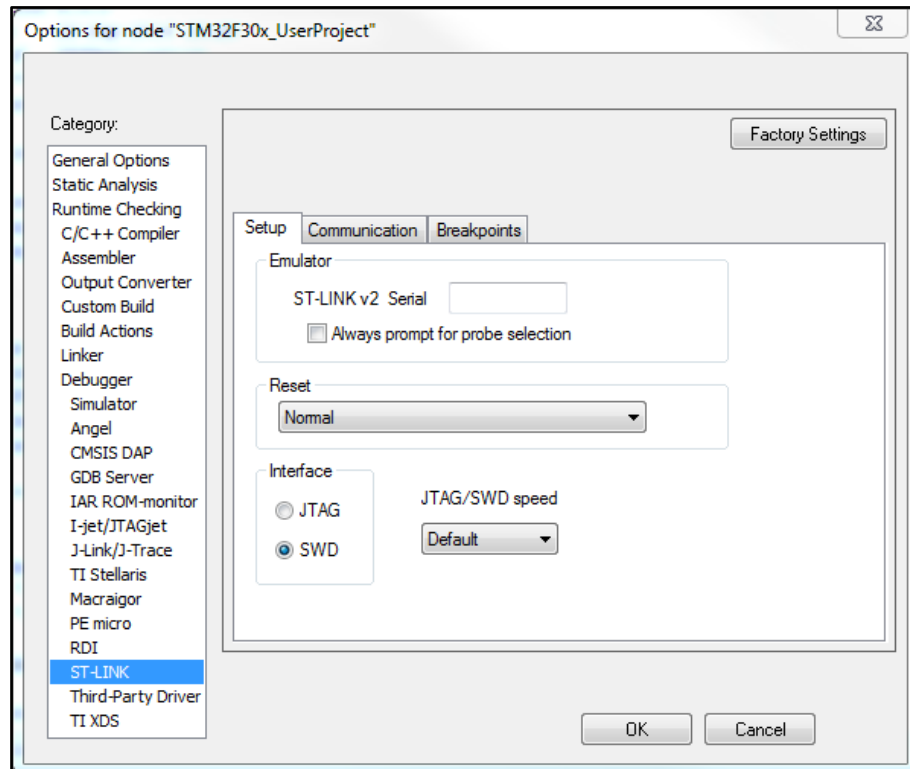
Pin no. in STLINK	ST-LINK/V2 connector	ST-LINK/V2 function	Target connection (SWD)	Pin no. in STEVAL-ESC001V1 (J4 connector)
1	VAPP	Target VCC	MCU VDD	1
2	VAPP	Target VCC	MCU VDD	1
6	GND			4
7		SW IO	SWDIO	3
9		SW CLK	SWCLK	2

Figure 10: STEVAL-ESC001V1 connection for MCU programming



- 2 Set the SWD interface in the IDE tool

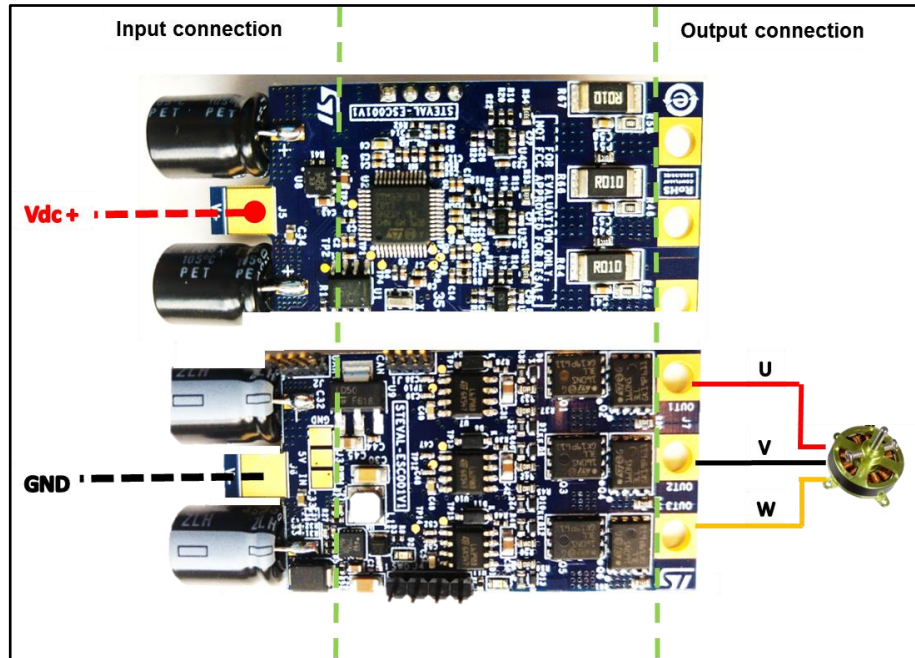
Figure 11: Sample SWD configuration on IAR tool



- 3 Solder the three motor wires U,V,W at the motor connector with no particular color sequence.
As shown in [Figure 12: "STEVAL-ESC001V1 input/output connection"](#), the right side is for the motor connection with three pads provided for soldering.
- 4 Solder the PWM input at J3 connector.
The INPUT pin level must not exceed 3V3.

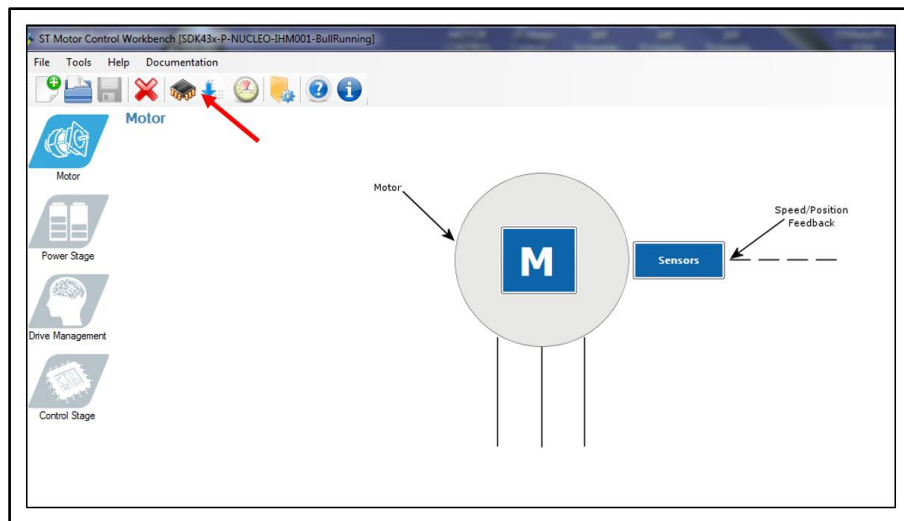
- 5 Connect the STEVAL-ESC001V1 with a Li-Po battery (or DC power supply: min 3S – max 6S) with the right polarity and turn ON.
The input connector has two large pads for soldering: the top layer for GND and bottom for Vdc+. A transil device prevents damage in case of reverse polarity.

Figure 12: STEVAL-ESC001V1 input/output connection



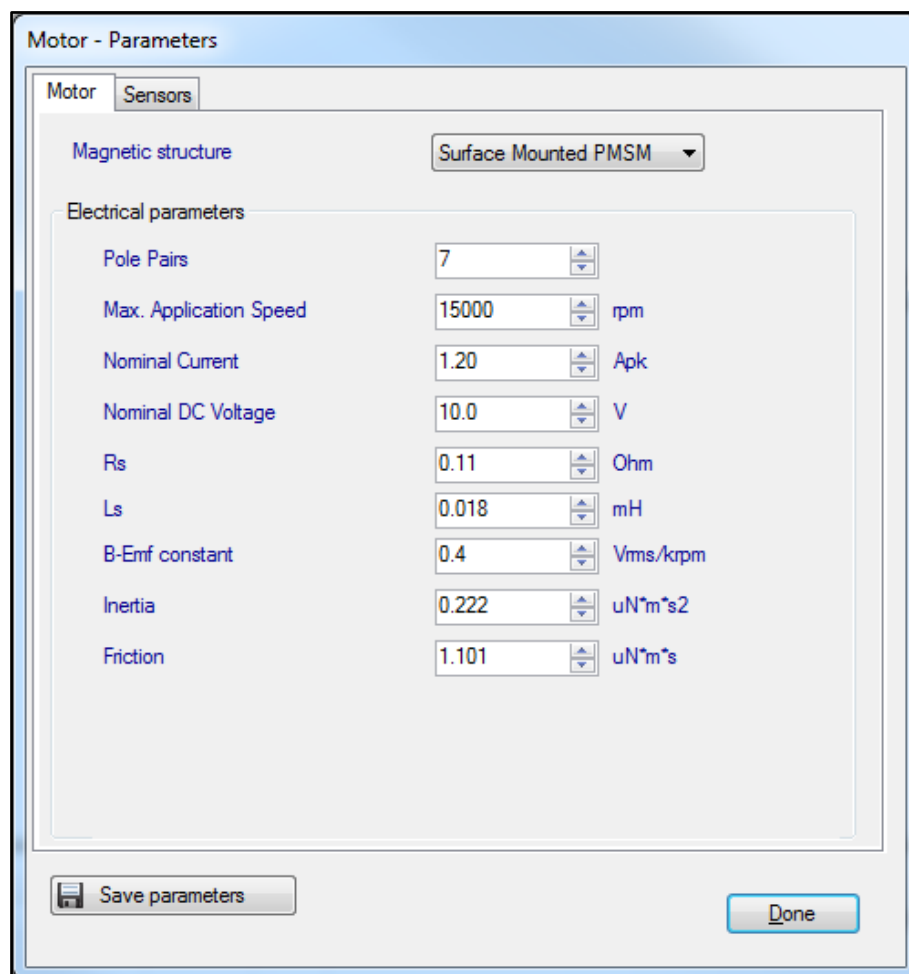
- 6 Verify if the green led is turned on.
- 7 Open ST MC

Figure 13: ST MC Workbench



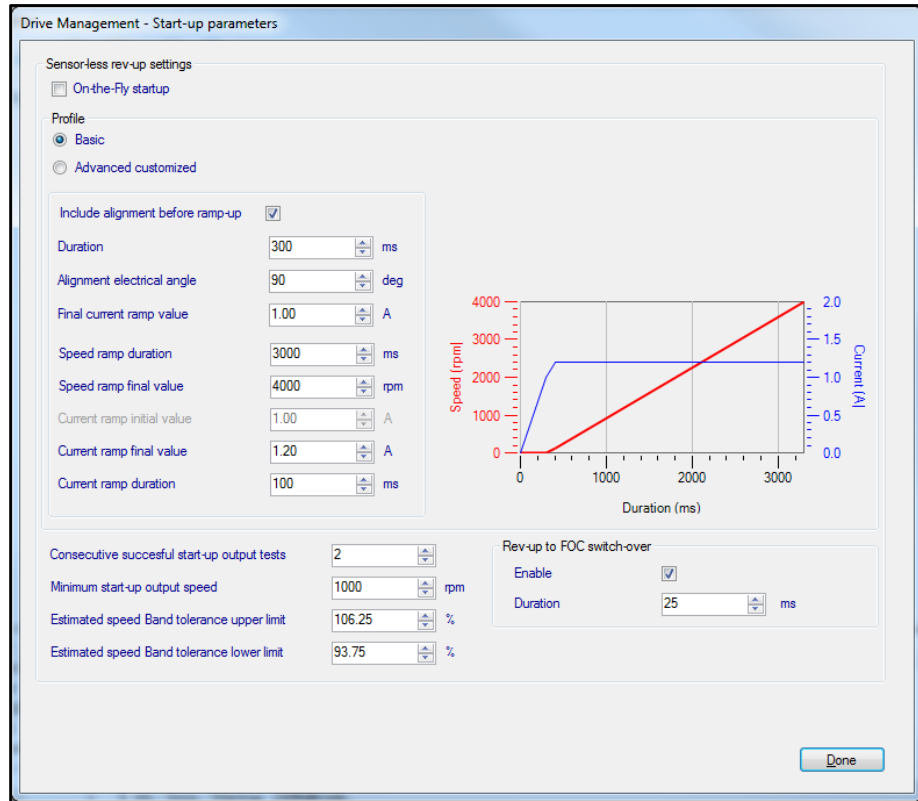
- 8 Fill in the motor parameters

Figure 14: ST MC Workbench – electrical motor parameters



9 Fill in the startup parameters

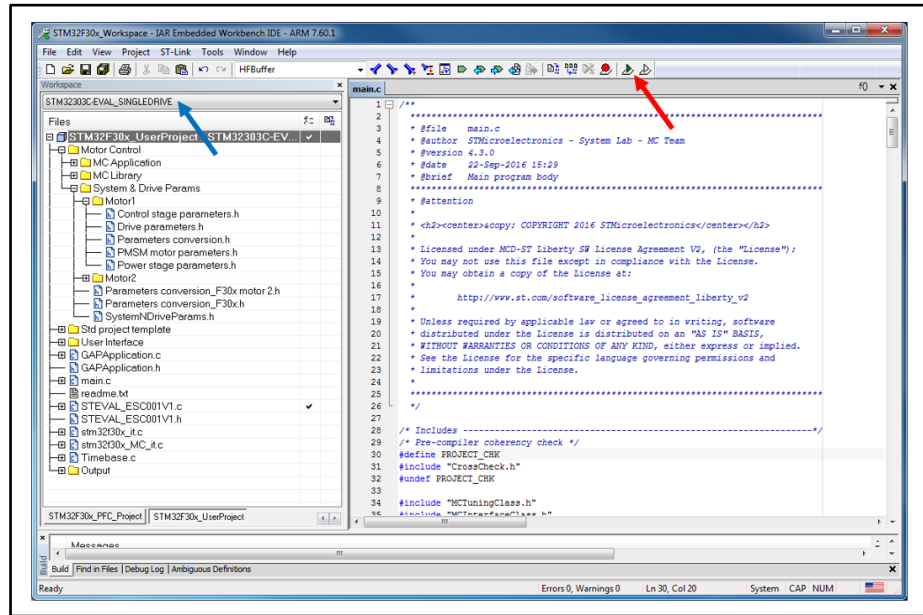
Figure 15: ST MC Workbench – startup parameters



10 Open the correct workspace in your IAR IDE tool (STM32F30x_Workspace)

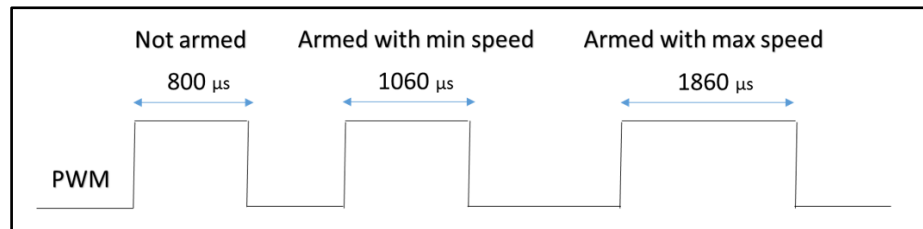
- 11 Select the STM32303C-EVAL_SINGLEDRIVE project configuration (blue arrow), compile the source code and upload the binary to the MCU (red arrow)

Figure 16: IAR tool select, compile and upload



- 12 Generate a PWM signal at 490 Hz and duty cycle between 1060 μ s and 1860 μ s. The ESC is not armed (no driving signals generated) if the duty cycle is lower than 1060 μ s. If the motor is already started, a blank time of 1500 ms on the PWM signal switches the system off (ESC turned OFF).

Figure 17: PWM input signal for motor speed regulation



- 13 The motor starts to rotate between the minimum and maximum speed.

Figure 19: STEVAL-ESC001V1 circuit schematic (2 of 4)

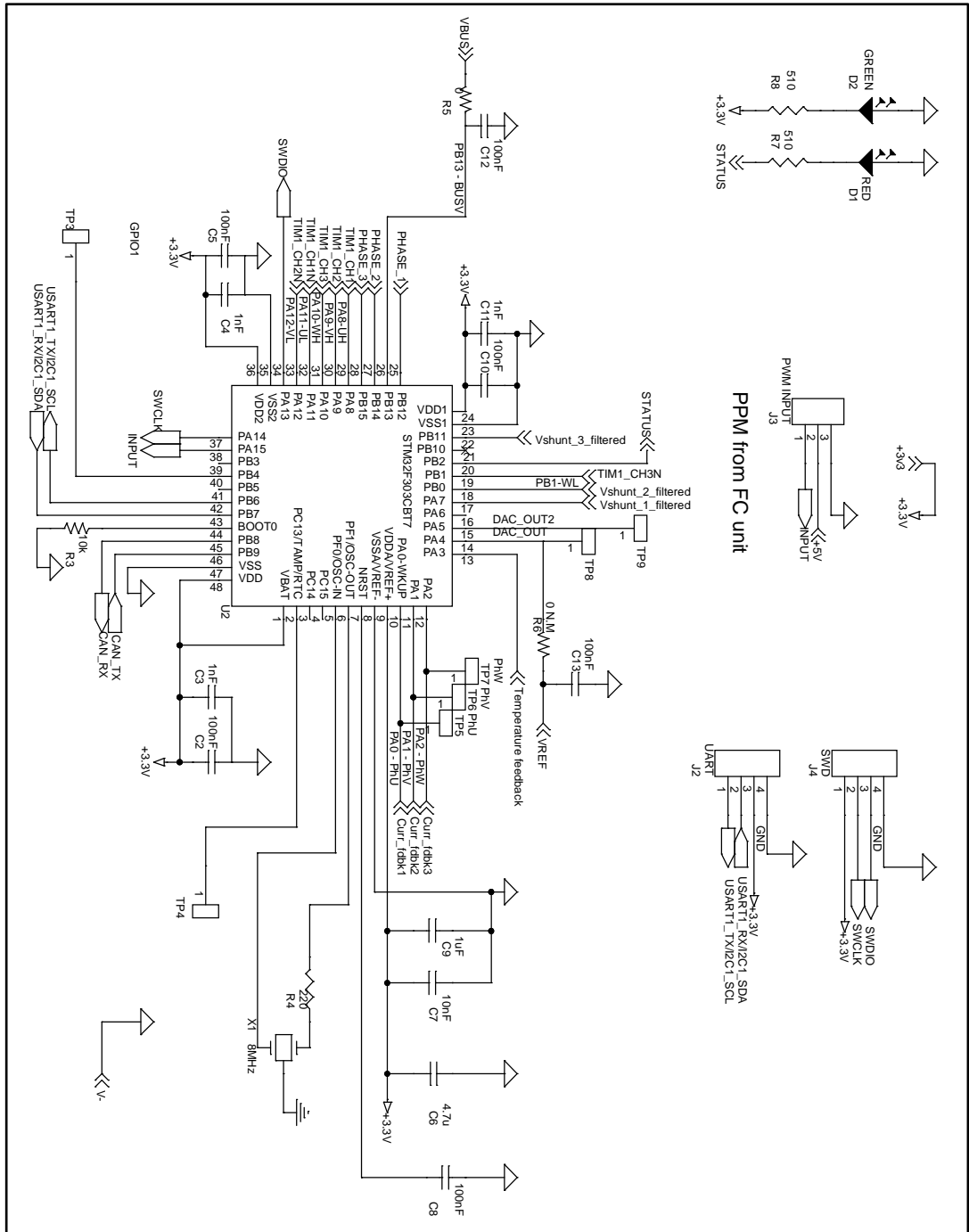


Figure 20: STEVAL-ESC001V1 circuit schematic (3 of 4)

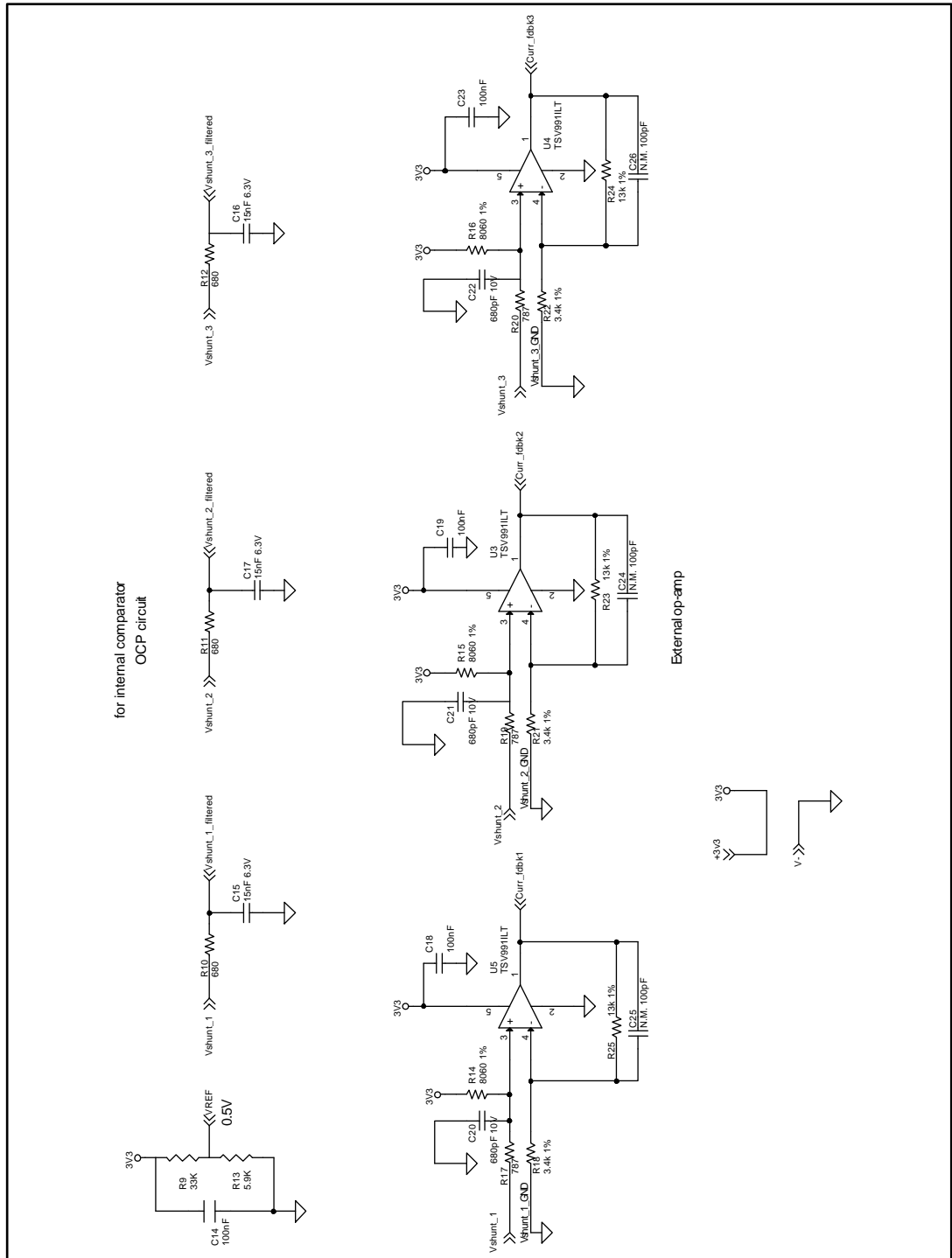
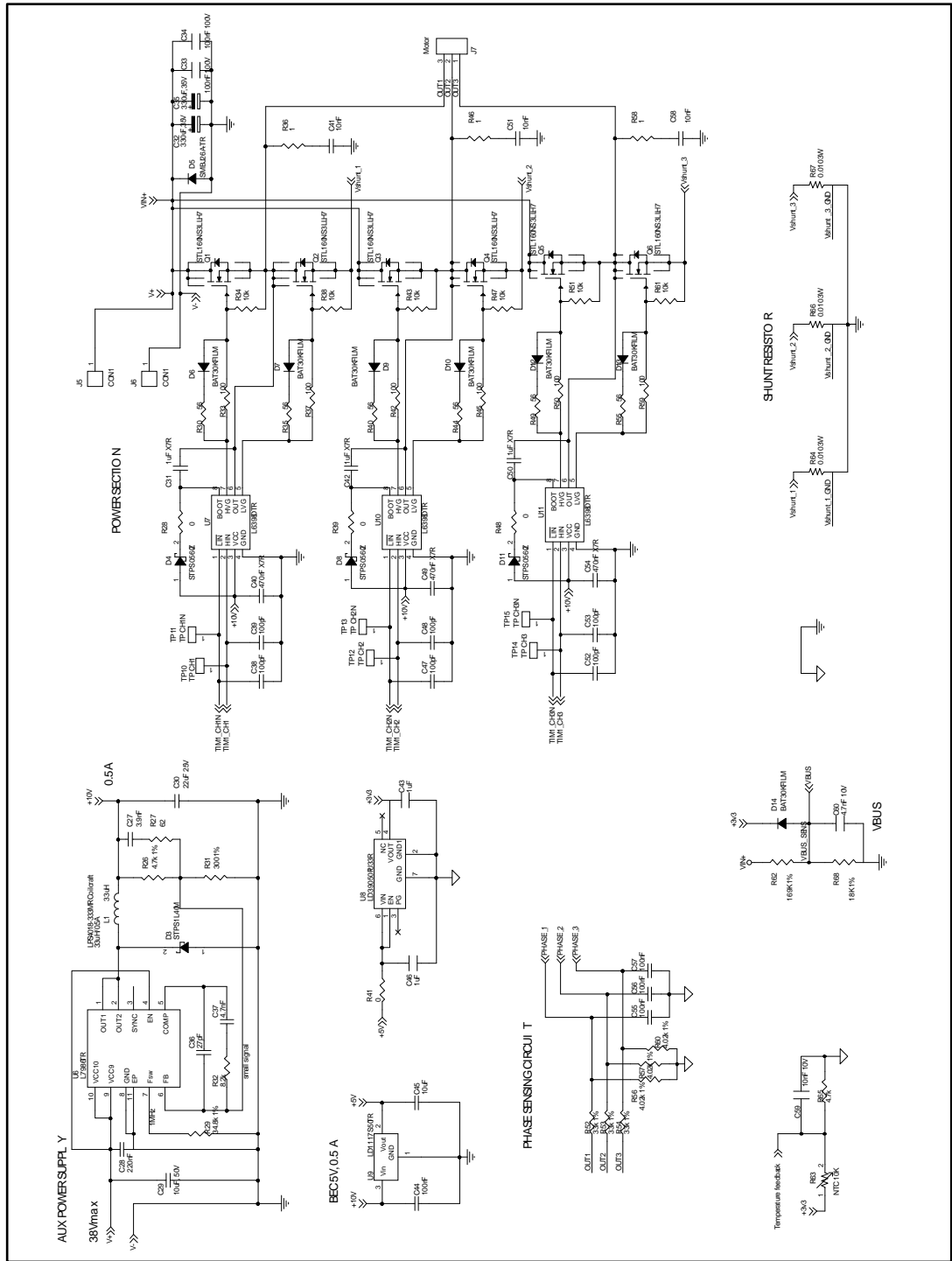


Figure 21: STEVAL-ESC001V1 circuit schematic (4 of 4)



5 Bill of materials

Item	Q.ty	Ref.	Part / Value	Description	Manufacturer	Order code
1	15	C1,C2,C5,C8,C10 C12,C13,C14,C18 C19,C23,C44,C55 C56,C57	100nF 25V ±10%	CERAMIC CAP X7R	any	
2	3	C3,C4,C11	1nF 50V ±10%	CERAMIC CAP X7R	any	
3	1	C6	4.7u 10V ±10%	CERAMIC CAP X5R	MURATA	GRM188R61A475KE15D
4	2	C7,C59	10nF 50V ±10%	CERAMIC CAP X7R	any	
5	3	C9,C43,C46	1uF 16V ±10%	CERAMIC CAP X7R	TDK	C1608X7R1C105K080AC
6	3	C15,C16,C17	15nF 10V ±10%	CERAMIC CAP X7R	any	
7	3	C20,C21,C22	680pF 10V 10V ±5%	CERAMIC CAP C0G	any	
8	3	C24,C25,C26	N.M. 100pF ±0%			
9	1	C27	3.9nF 50V ±10%	CERAMIC CAP X7R	any	
10	1	C28	220nF 50V ±10%	CERAMIC CAP X7R	any	
11	1	C29	10uF 50V ±10%	Ceramic Cap X5R	any	
12	1	C30	22uF 25V ±10%	Ceramic Cap X5R	any	
13	3	C31,C42,C50	1uF X7R 50V ±10%	Ceramic Cap X7R	any	
14	2	C32,C35	330uF,35V 35V ±20%	Electrolytic Capacitor	Rubycon	35ZLH330MEFC10X12.5
15	2	C33,C34	100nF 100V ±10%	Ceramic Cap X7R	any	
16	1	C36	27pF 50V ±5%	CERAMIC CAP C0G	any	
17	2	C37,C60	4.7nF 16V ±10%	CERAMIC CAP X7R	any	
18	6	C38,C39,C47 C48,C52,C53	100pF 16V ±10%	CERAMIC CAP X7R	any	
19	3	C40,C49,C54	470nF 25V ±10%	CERAMIC CAP X7R	any	

Item	Q.ty	Ref.	Part / Value	Description	Manufacturer	Order code
20	3	C41,C51,C58	10nF 100V ±10%	CERAMIC CAP X7R	any	
21	1	C45	10uF 25V ±10%		MURATA	GRM21BR61E106KA73L
22	1	D1		LED standard - SMD - RED	Lite-on	LTST-C193KRKT-5A
23	1	D2		LED standard - SMD - GREEN	Lite-on	LTST-C193KGKT-5A
24	1	D3	40V 1A	LOW DROP POWER SCHOTTKY RECTIFIER	ST	STPS1L40M
25	3	D4,D8,D11	60V/0.5A	ST POWER SCHOTTKY DIODE	ST	STPS0560Z
26	1	D5		Transil	ST	SMBJ26A-TR
27	7	D6,D7,D9,D10 D12,D13,D14	30V, 0.3A	ST SCHOTTKY DIODE	ST	BAT30KFILM
28	2	J1,J2		CAN, UART: 4 WAYS STRIP LINE - MALE 1.27mm	any	
29	1	J3		PWM INPUT: 3 way wires welding		
30	1	J4		SWD: 4-way strip line - male 2.54mm	any	
31	2	J5,J6		CON1 - Input power connector: 1- way wire welding		
32	1	J7		Motor Connetor: 3- way wire welding		
33	1	L1	33uH 0.5A	Power Inductor	Coilcraft	LPS4018-333MRB
34	6	Q1,Q2,Q3 Q4,Q5,Q6	30V, 160A	Power Mosfets	ST	STL160NS3LLH7
35	6	R1,R5,R28 R39,R41,R48	0 62.5mW ±5%	SMD RESISTOR	ANY	ANY

Item	Q.ty	Ref.	Part / Value	Description	Manufacturer	Order code
36	1	R2	120 62.5mW ±5%	SMD RESISTOR	ANY	ANY
37	1	R3	10k 62.5mW ±5%	SMD RESISTOR	ANY	ANY
38	1	R4	220 62.5mW ±5%	SMD RESISTOR	ANY	ANY
39	1	R6	62.5mW ±5%	SMD RESISTOR	ANY	ANY
40	2	R7,R8	510 62.5mW ±5%	SMD RESISTOR	ANY	ANY
41	1	R9	33K 62.5mW ±5%	SMD RESISTOR	ANY	ANY
42	3	R10,R11,R12	680 62.5mW ±5%	SMD RESISTOR	ANY	ANY
43	1	R13	5.9K 62.5mW ±5%	SMD RESISTOR	ANY	ANY
44	3	R14,R15,R16	8.06k 62.5mW ±1%	SMD RESISTOR	Vishay	CRCW04028K06FKED
45	3	R17,R19,R20	787 62.5mW ±1%	SMD RESISTOR	PANASONIC ELECTRONIC COMPONENTS	ERJ2RKF7870X
46	3	R18,R21,R22	3.4k 62.5mW ±1%	SMD RESISTOR	PANASONIC ELECTRONIC COMPONENTS	ERJ2RKF3401X
47	2	R23,R24,R25	13k 62.5mW ±1%	SMD RESISTOR	ANY	ANY
48	1	R26	4.7k 62.5mW ±1%	SMD RESISTOR	ANY	ANY
49	1	R65	4.7k 62.5mW ±5%	SMD RESISTOR	ANY	ANY
50	1	R27	62 62.5mW ±1%	SMD RESISTOR	ANY	ANY
51	1	R29	34.8k 62.5mW ±1%	SMD RESISTOR	ANY	ANY
52	6	R30,R35,R40 R44,R49,R55	56 0.1W ±5%	SMD RESISTOR	ANY	ANY

Item	Q.ty	Ref.	Part / Value	Description	Manufacturer	Order code
53	1	R31	300 62.5mW ±1%	SMD RESISTOR	ANY	ANY
54	1	R32	8.2k 62.5mW ±1%	SMD RESISTOR	ANY	ANY
55	6	R33,R37,R42 R45,R50,R59	100 0.1W ±5%	SMD RESISTOR	ANY	ANY
56	6	R34,R38,R43 R47,R51,R61	10k 0.1W ±5%	SMD RESISTOR	ANY	ANY
57	3	R36,R46,R58	1 0.125W ±5%	SMD RESISTOR	ANY	ANY
58	3	R52,R53,R54	33k 0.1W ±1%	SMD RESISTOR	ANY	ANY
59	3	R56,R57,R60	4.02k 62.5mW ±1%	SMD RESISTOR	ANY	ANY
60	1	R62	169K 62.5mW ±1%	SMD RESISTOR	ANY	ANY
61	1	R63	NTC 10K ±1%	NTC Thermistor	TDK	NTCG103JF103F
62	3	R64,R66,R67	0.01 3W ±1%	10 mohm SHUNT RESISTOR	Bourns	CRA2512-FZ-R010ELF
					KOA Speer	TLR3APDTE10L0F50
63	1	R68	18K 62.5mW ±1%	SMD RESISTOR	ANY	ANY
64	1	TP1,TP2,TP3,TP4 TP5,TP6,TP7,TP8 TP9,TP10,TP11 TP12,TP13,TP14 TP15	±0%	TEST POINT: SMD PAD 1 mm		
65	1	U1		CAN transceiver	TI	SN65HVD230D
66	1	U2		32bit MCU	ST	STM32F303CBT7
67	3	U3,U4,U5		Rail-to-rail input/output 20 MHz GBP operational amplifiers	ST	TSV9911LT
68	1	U6		3 A step-down switching regulator	ST	L7986TR
69	3	U7,U10,U11		High voltage high and low-side driver	ST	L6398D

Item	Q.ty	Ref.	Part / Value	Description	Manufacturer	Order code
70	1	U8		Low Drop Voltage Regulator	ST	LD39050PU33R
71	1	U9		Low Drop Voltage Regulator	ST	LD1117S50TR
72	1	X1		Resonators 8Mhz	Murata Electronics	CSTCE8M00G55-R0

6 Revision history

Table 4: Document revision history

Date	Version	Changes
07-Apr-2017	1	Initial release.

IMPORTANT NOTICE – PLEASE READ CAREFULLY

STMicroelectronics NV and its subsidiaries ("ST") reserve the right to make changes, corrections, enhancements, modifications, and improvements to ST products and/or to this document at any time without notice. Purchasers should obtain the latest relevant information on ST products before placing orders. ST products are sold pursuant to ST's terms and conditions of sale in place at the time of order acknowledgement.

Purchasers are solely responsible for the choice, selection, and use of ST products and ST assumes no liability for application assistance or the design of Purchasers' products.

No license, express or implied, to any intellectual property right is granted by ST herein.

Resale of ST products with provisions different from the information set forth herein shall void any warranty granted by ST for such product.

ST and the ST logo are trademarks of ST. All other product or service names are the property of their respective owners.

Information in this document supersedes and replaces information previously supplied in any prior versions of this document.

© 2017 STMicroelectronics – All rights reserved