

NOTES:

1. THIS PROTECTIVE COVER IS DESIGNED TO PROTECT THE INTERFACE OF MTC100 RECEPTACLE CONNECTORS AGAINST DUST AND MOISTURE ENVIROMENTS. PARTS MEET AIR LEAKAGE TEST PER C-6111 OR C-6115 (THE LEAKAGE RATE IS 0.5 ATM CM3/Second Maximum). THE PARTS ALSO OFFER ELECTROMAGNETIC EMISSION PROTECTION.

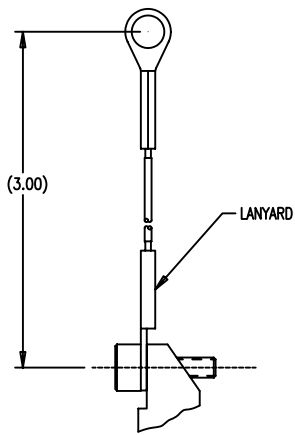
2. **MATING TORQUE**
FOR PROPER MATING CONDITION, SCREWS MUST BE EQUALLY TIGHTENED AND LOOSENED BY ONE HALF TURN A TIME TO PREVENT ANY DAMAGES TO THE MATING GASKET. RETENTION SCREWS ARE TO BE TORQUED TO 7±0.5 in-lbs.

3. MATERIAL:
- a. HOUSING ALUMINUM ALLOY PER ASTM B26 OR ASTM B211
 - b. RETENTION SCREW STAINLESS STEEL PER SAE-AMS-QQ-S-763
 - c. GASKET CONDUCTIVE FLUOROSILICONE ELASTOMER PER MIL-DTL-83528
 - d. FLAT WASHER STAINLESS STEEL PER ASTM A 240/A 240M
 - e. LANYARD STAINLESS STEEL PER ASTM A 240/A 240M
 - f. RETAINING RING BERYLLIUM COPPER PER ASTM B194
4. FINISH:
- a. HOUSING CADMIUM PLATE PER SAE-AMS-QQ-P-416 OVER NICKEL UNDERPLATE
 - b. RETENTION SCREW CADMIUM PLATE PER SAE-AMS-QQ-P-416
 - c. FLAT WASHER CADMIUM PLATE PER SAE-AMS-QQ-P-416
 - d. LANYARD CADMIUM PLATE PER SAE-AMS-QQ-P-416
 - e. RETAINING RING CADMIUM PLATE PER SAE-AMS-QQ-P-416

5. "RAYCHEM", PART NUMBER AND DATE CODE STAMPED APPROXIMATELY AS SHOWN. SEE TABULATION FOR APPROPRIATE PART NUMBER.

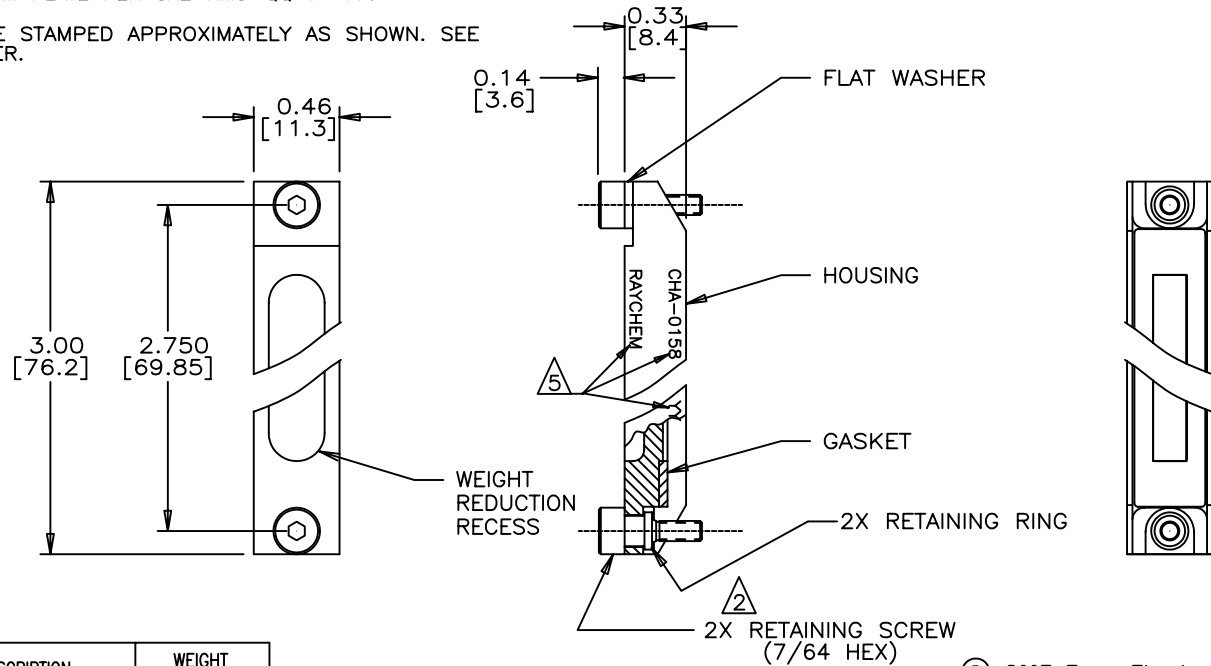
REVISIONS			
LTR	DESCRIPTION	DATE	APPROVED
B	REVISED PER ECN T-18229	JUNE-1-93	J.B.
C	REDRAWN AND REVISED PER DCR# T-29645	7/13/2001	M.HIGGY
D	REVISE PER DCR# T-30033	9/18/2001	M.HIGGY
E	REVISE PER DCR# T-30829	4/19/2002	M.HIGGY
F	REVISE PER DCR# T-31595	JAN/23/03	M.HIGGY
G	PER ECO-07-020128	August/27/07	M.HIGGY

If this document is printed it becomes uncontrolled. Check for the latest revision



DETAIL A
FOR CHA-0158-009 PART ONLY

5 PART NUMBER	DESCRIPTION	WEIGHT (MAXIMUM)
CHA-0158	WITHOUT LANYARD	.043 LBS. [19.60 gr.]
CHA-0158-009	WITH LANYARD PER DETAIL A	.046 LBS. [20.90 gr.]



CUSTOMER DRAWING

© 2007 Tyco Electronics Corporation. All rights reserved.

UNLESS OTHERWISE SPECIFIED DIMENSIONS ARE IN INCHES. METRIC DIMENSIONS ARE IN BRACKETS.	DRAWN	ZS.ORBAN	7/12/2001		Raychem Interconnect 300 Constitution Drive Merida Park, CA 94025 U.S.A.	
	CHECKED				TITLE	
DECIMALS .XXX ±.010 .XX ±.02	APPROVED			COVER, PROTECTIVE, PLUG TYPE, 2 INCH, EME COMPATIBLE MTC100 SERIES		
ANGLES .X ±	APPROVED	M.HIGGY	7/12/2001	SIZE	CODE IDENT. NO.	DWG. NO.
WEIGHT SEE TAB.lbs { g}	CAD NAME	CHA-0158-XXX_G		A	06090	CHA-0158-XXX
	THIRD ANGLE PROJECTION			DO NOT SCALE THIS DRAWING	SHEET 1 OF 1	

DWG NO. CHA-0158-XXX T