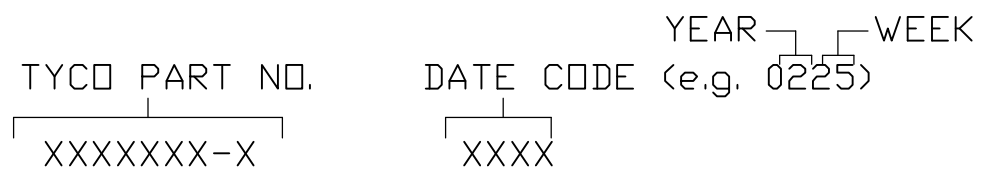


THIS DRAWING IS UNPUBLISHED. RELEASED FOR PUBLICATION
 © COPYRIGHT 2005 BY TYCO ELECTRONICS CORPORATION. ALL RIGHTS RESERVED.

LOC	DIST	REVISIONS					
GP	00	P	LTR	DESCRIPTION	DATE	DWN	APVD
			A	INITIAL RELEASE	05OCT2006	GIP	DO

5 RECOMMENDED MOUNTING HARDWARE TO BE ORDERED SEPARATELY FOR REFERENCE ONLY:
 FOR PANEL MOUNTING USE:
 1650402-1, 8-32 SHOULDER SCREW
 1650589-1, M4 X 0.7 SHOULDER SCREW

4 ITEMS PROVIDED TO THIS SPECIFICATION TO BE PERMANENTLY IDENTIFIED PER THE FOLLOWING IDENTIFIER:



2. MATERIALS:
 HOUSINGS: THERMOPLASTIC, GLASS REINFORCED, UL94V-0 FLAMMABILITY RATED, COLOR-BLACK.
 RETENTION CLIPS: BERYLLIUM COPPER OR STAINLESS STEEL.
1. PART NUMBER CHANGES AND OR DESIGN CHANGES AFFECTING ITEM INTERCHANGEABILITY REQUIRE PRIOR TYCO APPROVAL AND AUTHORIZATION BY REVISION TO THIS DRAWING.

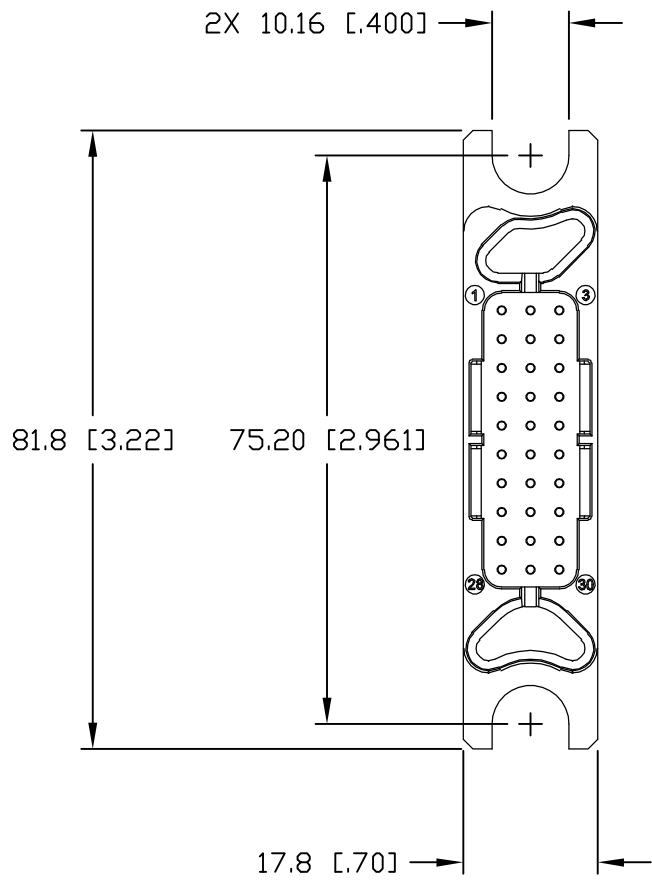
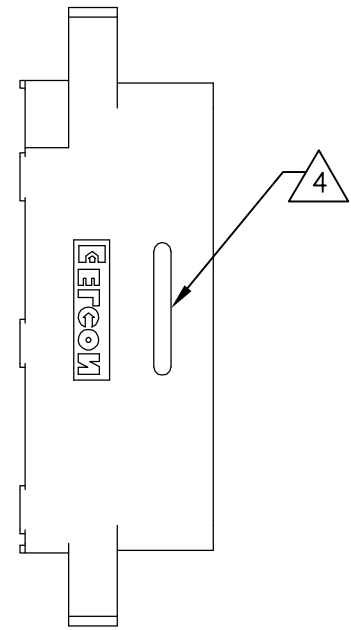
AS SHOWN	6651204-1
DESCRIPTION	PART NUMBER

THIS DRAWING IS A CONTROLLED DOCUMENT.		DWN	G.PETERS	05OCT2006	Tyco Electronics Corporation Harrisburg, PA 17105-3608						
DIMENSIONS: mm		CHK	D.ORRIS	05OCT2006							
		TOLERANCES UNLESS OTHERWISE SPECIFIED:		APVD	S.FLICKINGER	05OCT2006	NAME	CONNECTOR HOUSING, STRAIGHT PIN POS30 WITH RETENTION CLIPS			
MATERIAL		FINISH		PRODUCT SPEC		APPLICATION SPEC		SIZE	CAGE CODE	DRAWING NO	RESTRICTED TO
-		-		-		-		A3	00779	C-6651204	-
CUSTOMER DRAWING				SCALE		SHEET		REV			
				1:1		1 OF 3		A			

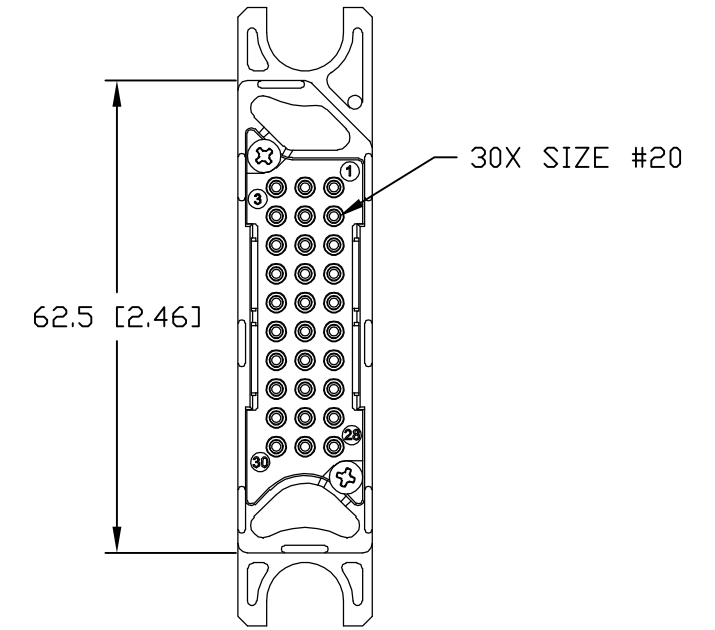
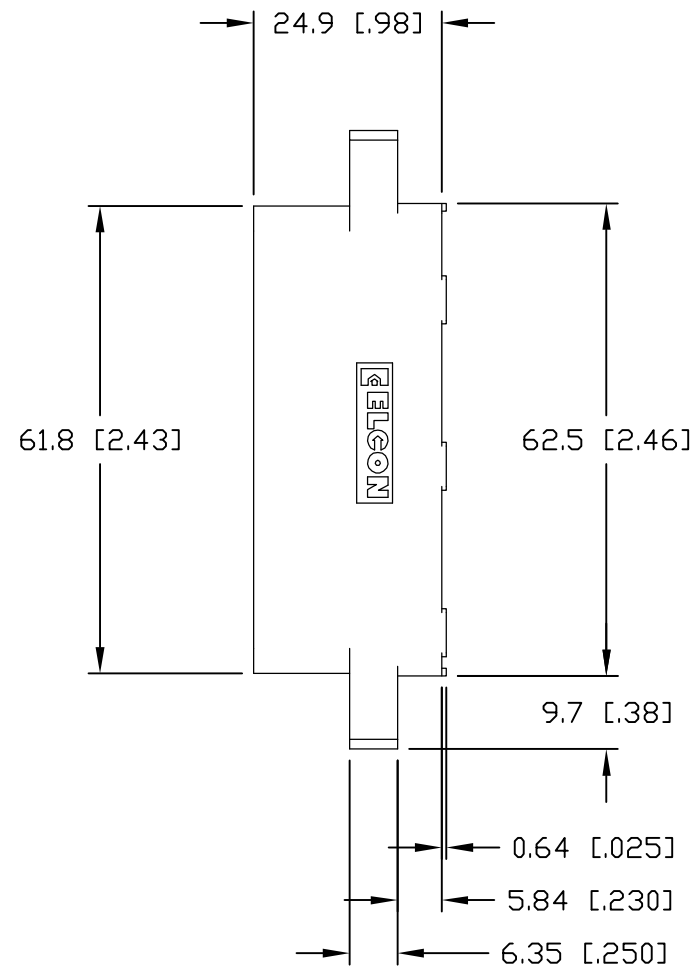
ELCON POS30 MINI DRAWER HOUSING

THIS DRAWING IS UNPUBLISHED. RELEASED FOR PUBLICATION
 © COPYRIGHT 2005 BY TYCO ELECTRONICS CORPORATION. ALL RIGHTS RESERVED.

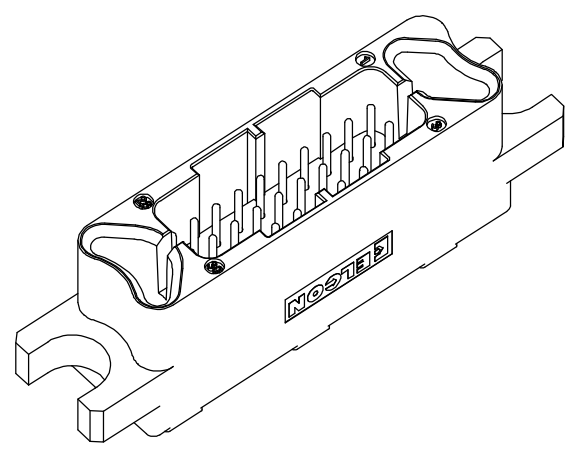
LOC	DIST	REVISIONS					
GP	00	P	LTR	DESCRIPTION	DATE	DWN	APVD
				SEE SHEET 1	-	-	-



FRONT VIEW



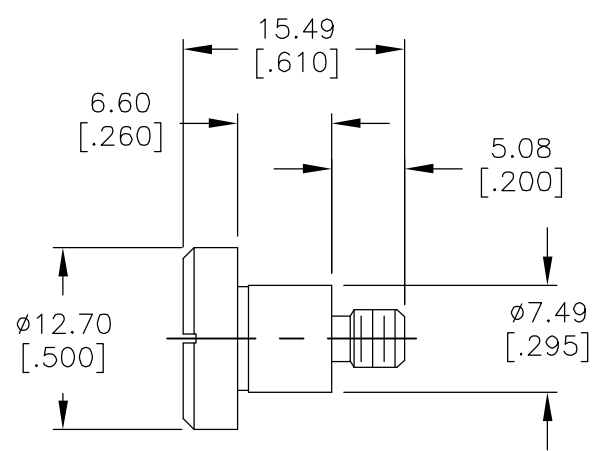
REAR VIEW



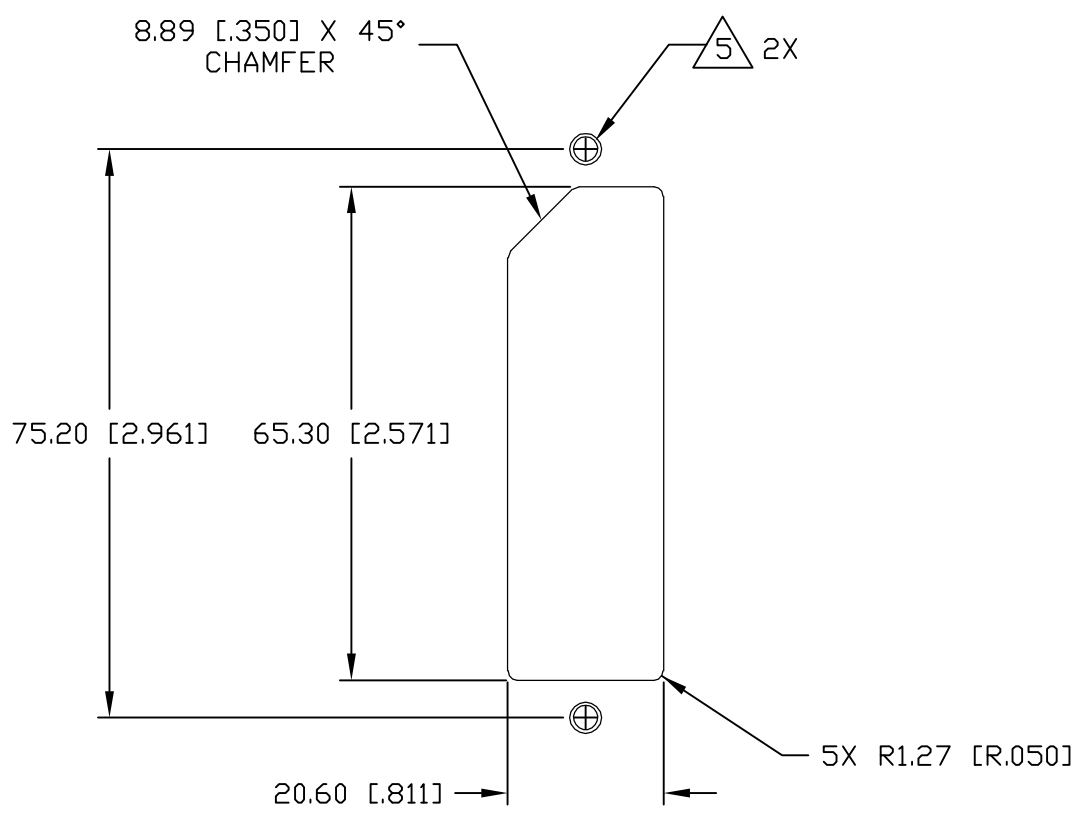
THIS DRAWING IS A CONTROLLED DOCUMENT.		DWN G.PETERS	05OCT2006	Tyco Electronics Corporation Harrisburg, PA 17105-3608	
DIMENSIONS: mm		CHK D.ORRIS	05OCT2006		
TOLERANCES UNLESS OTHERWISE SPECIFIED:		APVD S.FLICKINGER	05OCT2006	NAME CONNECTOR HOUSING, STRAIGHT PIN POS30 WITH RETENTION CLIPS	
0 PLC ± - 1 PLC ± - 2 PLC ± .5 [.02] 3 PLC ± .25 [.010] 4 PLC ± - ANGLES ± .5		PRODUCT SPEC -		APPLICATION SPEC -	
MATERIAL -		FINISH -		WEIGHT -	RESTRICTED TO -
CUSTOMER DRAWING				SIZE A3	CAGE CODE 00779
				DRAWING NO C-6651204	RESTRICTED TO -
				SCALE 1:1	SHEET 2 OF 3
				REV A	

THIS DRAWING IS UNPUBLISHED. RELEASED FOR PUBLICATION
 © COPYRIGHT 2005 BY TYCO ELECTRONICS CORPORATION. ALL RIGHTS RESERVED.

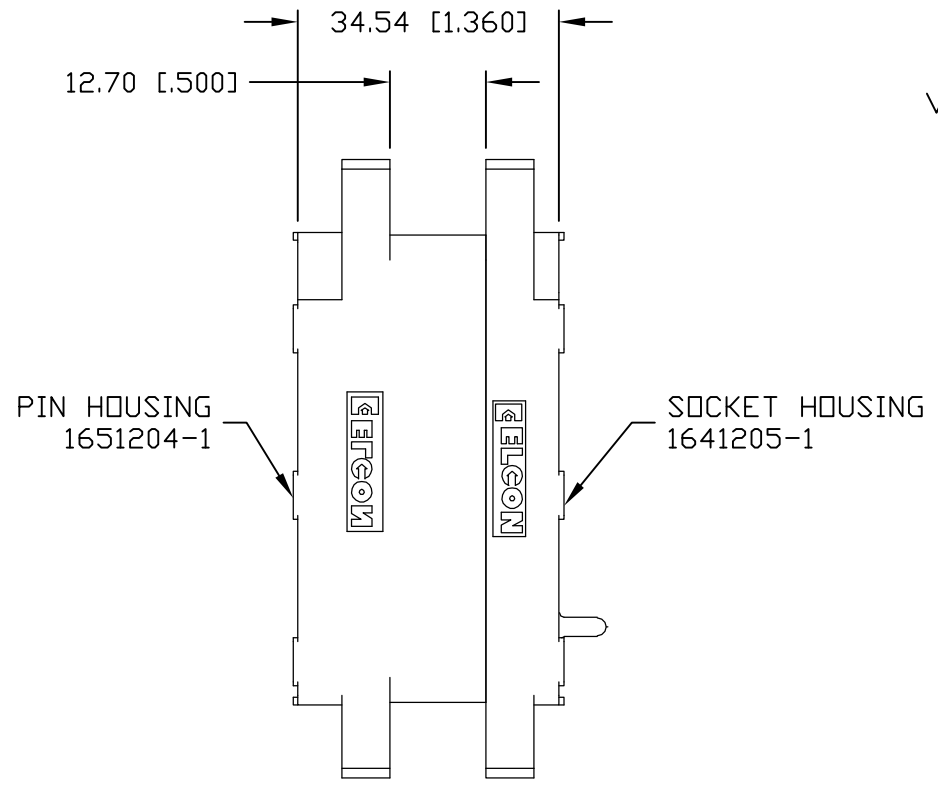
LOC	DIST	REVISIONS					
GP	00	P	LTR	DESCRIPTION	DATE	DWN	APVD
				SEE SHEET 1			



SHOULDER SCREW
 (REFERENCE ONLY)
 SCALE: 2:1



SUGGESTED PANEL CUTOUT
 VIEWED FROM CONNECTOR MOUNTING SIDE



MATED CONDITION

THIS DRAWING IS A CONTROLLED DOCUMENT.		DWN G.PETERS	05OCT2006	Tyco Electronics Corporation Harrisburg, PA 17105-3608	
DIMENSIONS: mm		CHK D.ORRIS	05OCT2006		
TOLERANCES UNLESS OTHERWISE SPECIFIED:		APVD S.FLICKINGER	05OCT2006	NAME	
0 PLC ± - 1 PLC ± - 2 PLC ± .5 [.02] 3 PLC ± .25 [.010] 4 PLC ± - ANGLES ± .5		PRODUCT SPEC		CONNECTOR HOUSING, STRAIGHT PIN POS30 WITH RETENTION CLIPS	
MATERIAL		APPLICATION SPEC		SIZE	RESTRICTED TO
FINISH		WEIGHT		A3	
		CUSTOMER DRAWING		CAGE CODE	DRAWING NO
				00779	6651204
				SCALE	SHEET
				1:1	3 OF 3
				REV	A