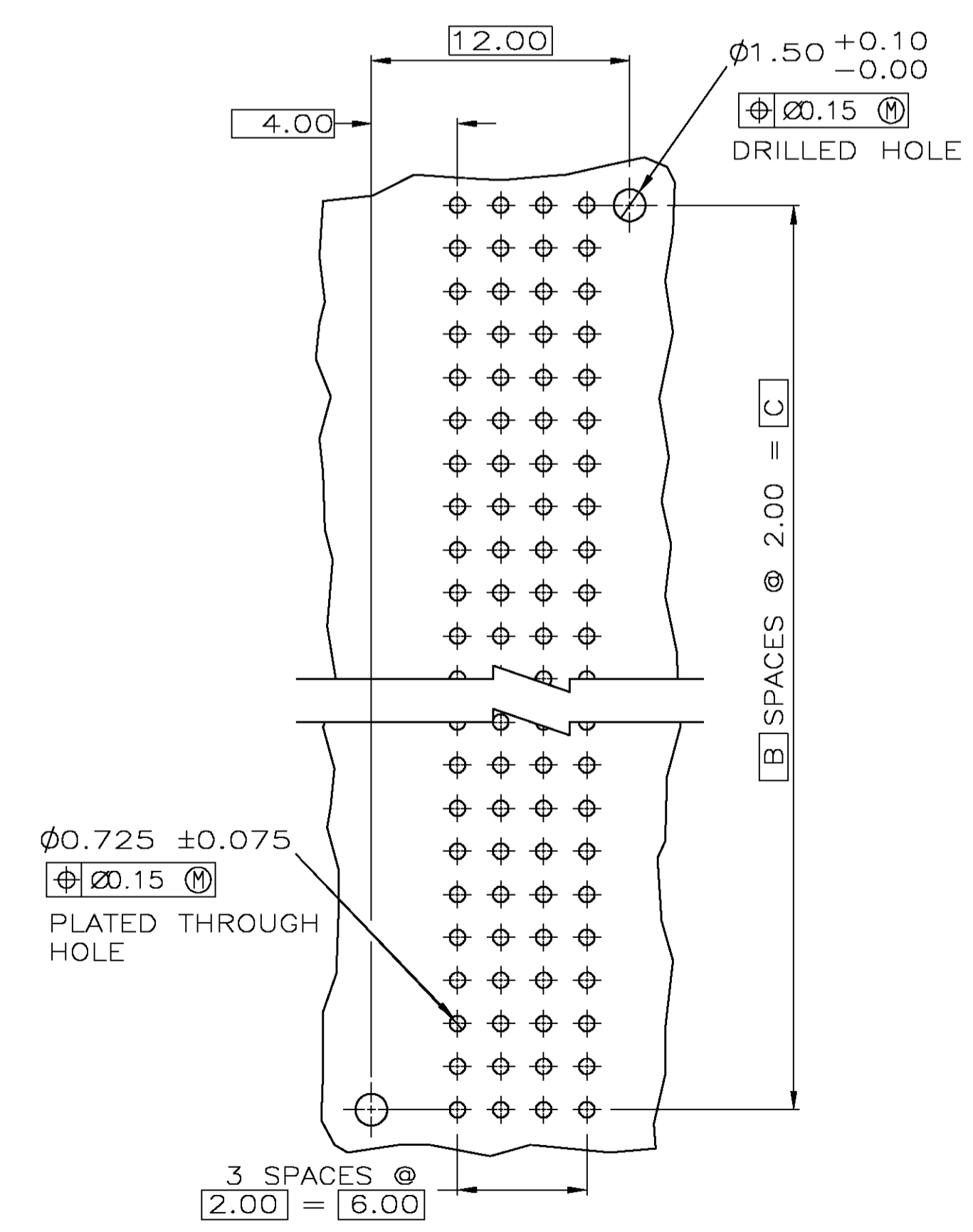
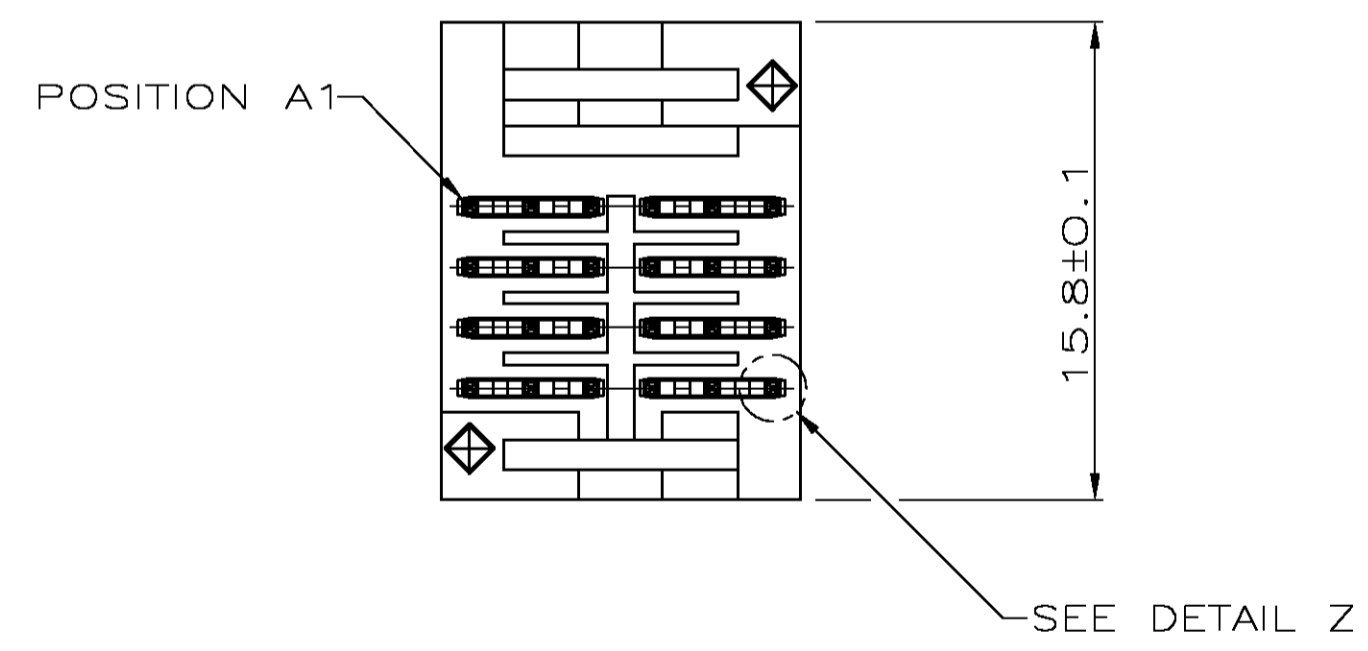
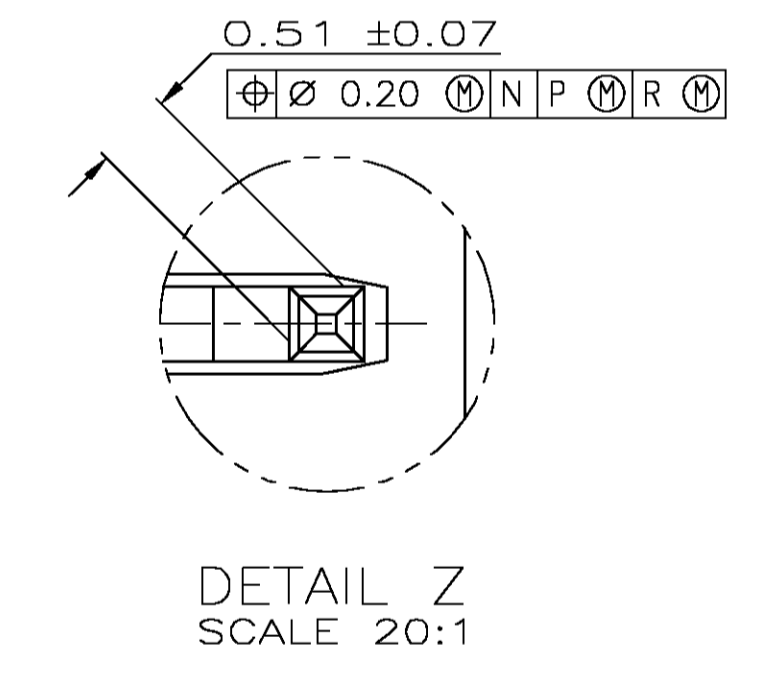
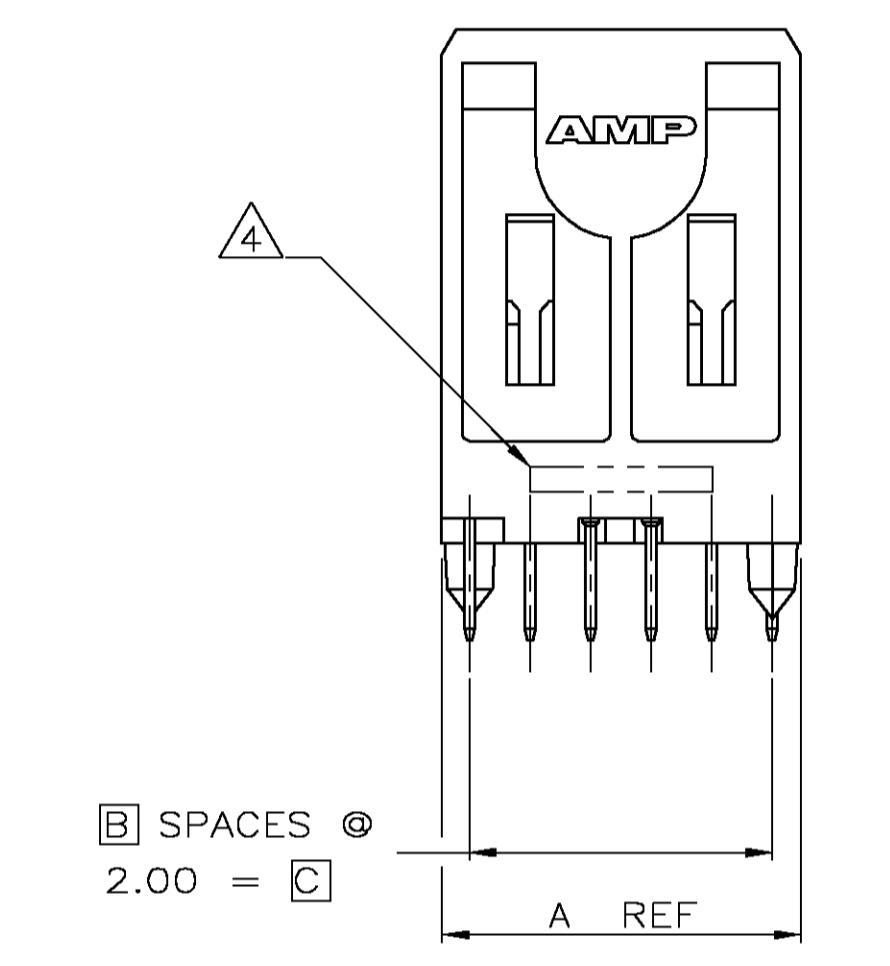
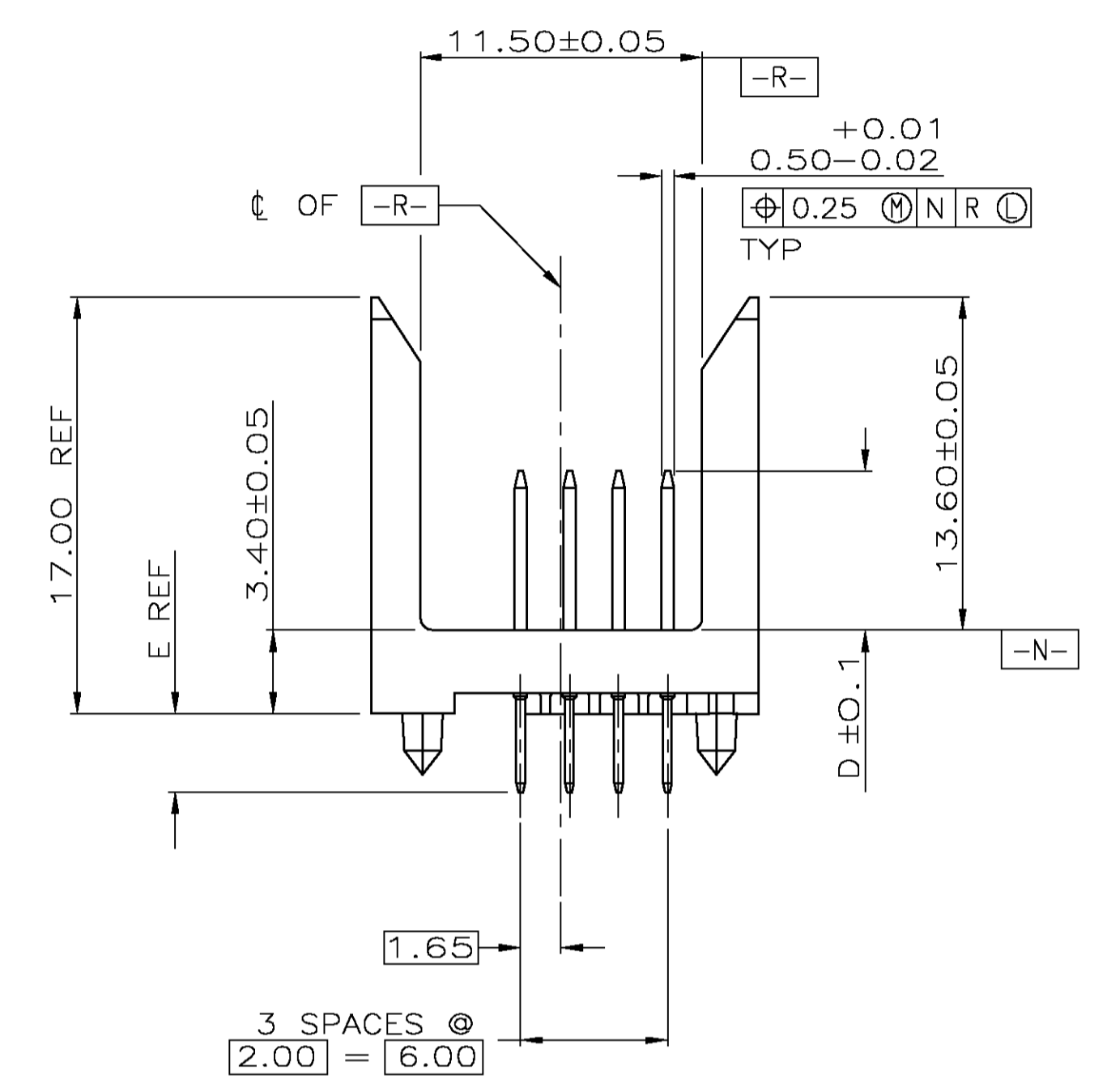
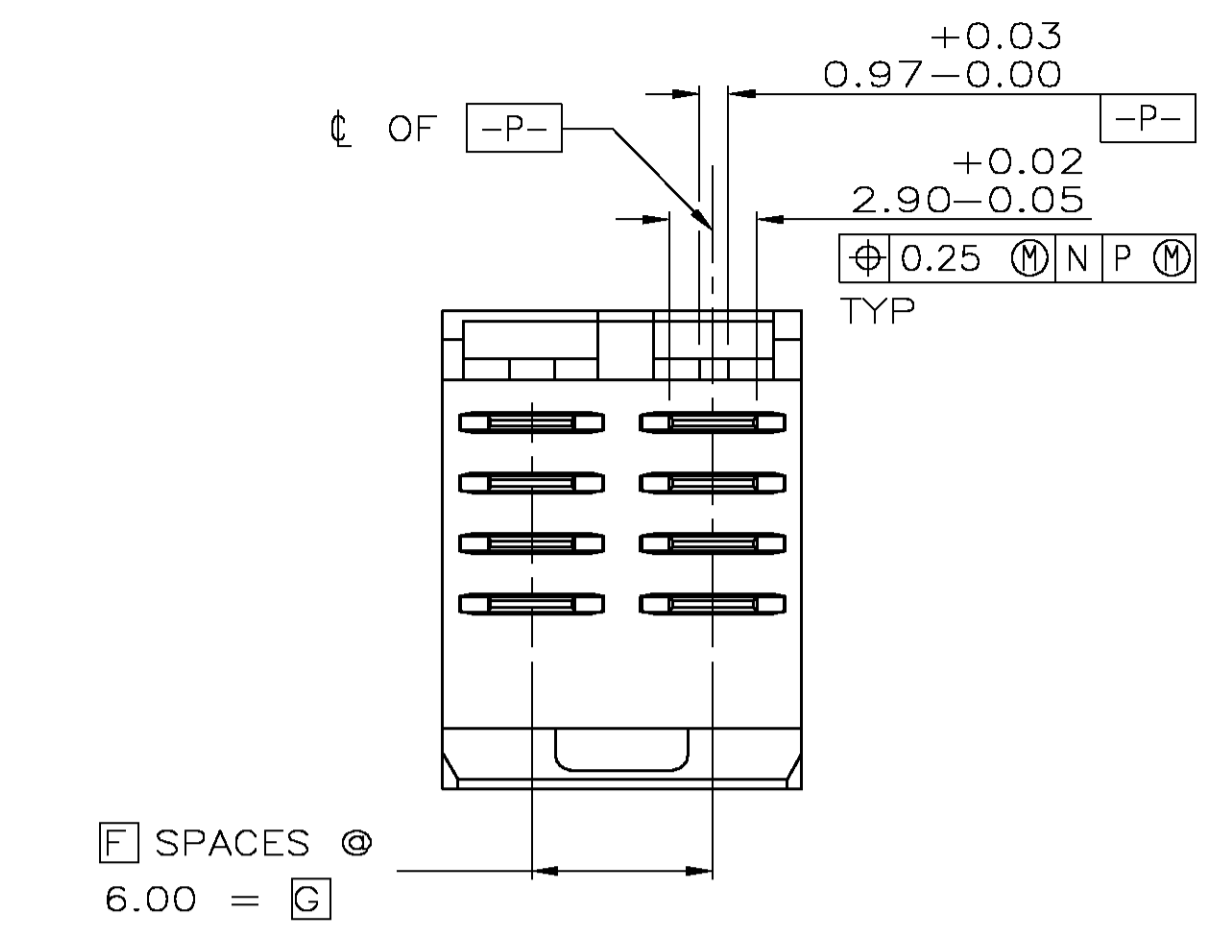


LOC		DIST		REVISIONS				
P	LR	DATE	DMN	APVD				
0		RELEASED PER EC 0512-0235-04	06OCT04	BM	RW			

- ① HOUSING MATERIAL: LIQUID CRYSTAL POLYMER  
COLOR: NATURAL.
- ② CONTACT MATERIAL: PHOSPHOR BRONZE PER UNS ALLOY NO. C51100, TEMPER: H04.
- ③ CONTACT FINISH:(E)  
UNDERPLATE (ENTIRE CONTACT):  
0.00127 MIN NICKEL PER SAE-AMS-QQ-N-290  
ON MATING SURFACES:  
FLASH GOLD PER ASTM B 488, OVER  
0.00076 MIN PALLADIUM-NICKEL OVER UNDERPLATE, OR  
0.00076 MIN GOLD PER ASTM B 488 OVER UNDERPLATE.  
ON LEADS:  
0.00381 MIN MATTE TIN PER ASTM B 545 OVER UNDERPLATE.  
LUBRICATION (MIN MATING SURFACES):  
SURFACE CONDITIONER AFTER PLATING.
- ④ PART MARKING LOCATED APPROXIMATELY AS SHOWN.



6.00	1	3.2	6.5	10.00	5	11.88	③	8	5536628-1
G	F	E	D	C	B	A	FINISH	NO OF POSN	PART NUMBER

RECOMMENDED CIRCUIT PATTERN  
 PER IPC-D300 TYPE II, CLASS C  
 (COMPONENT SIDE)

THIS DRAWING IS A CONTROLLED DOCUMENT.		DIN J. LOCONDRO 21MAY98	Tyco Electronics Corporation Harrisburg, Pa 17105-3608
DIMENSIONS: mm [INCHES]		CIK D.R. BAECHTLE 21MAY98	
TOLERANCES UNLESS OTHERWISE SPECIFIED:		APVD D.R. BAECHTLE 21MAY98	NAME ASSEMBLY, PIN, POWER, VERTICAL, 4 ROW, Z-PACK 2mm FB, SOLDER LEAD
0 PLC ± -		PRODUCT SPEC	
1 PLC ± -		APPLICATION SPEC	SIZE A1
2 PLC ± 0.13[005]		WEIGHT	CAGE CODE 00779
3 PLC ± -		RESTRICTED TO	DRAWING NO. 5536628
4 PLC ± -		CUSTOMER DRAWING	SCALE 4:1
ANGLES ± -		SHEET 1 OF 1	REV 0
FINISH			