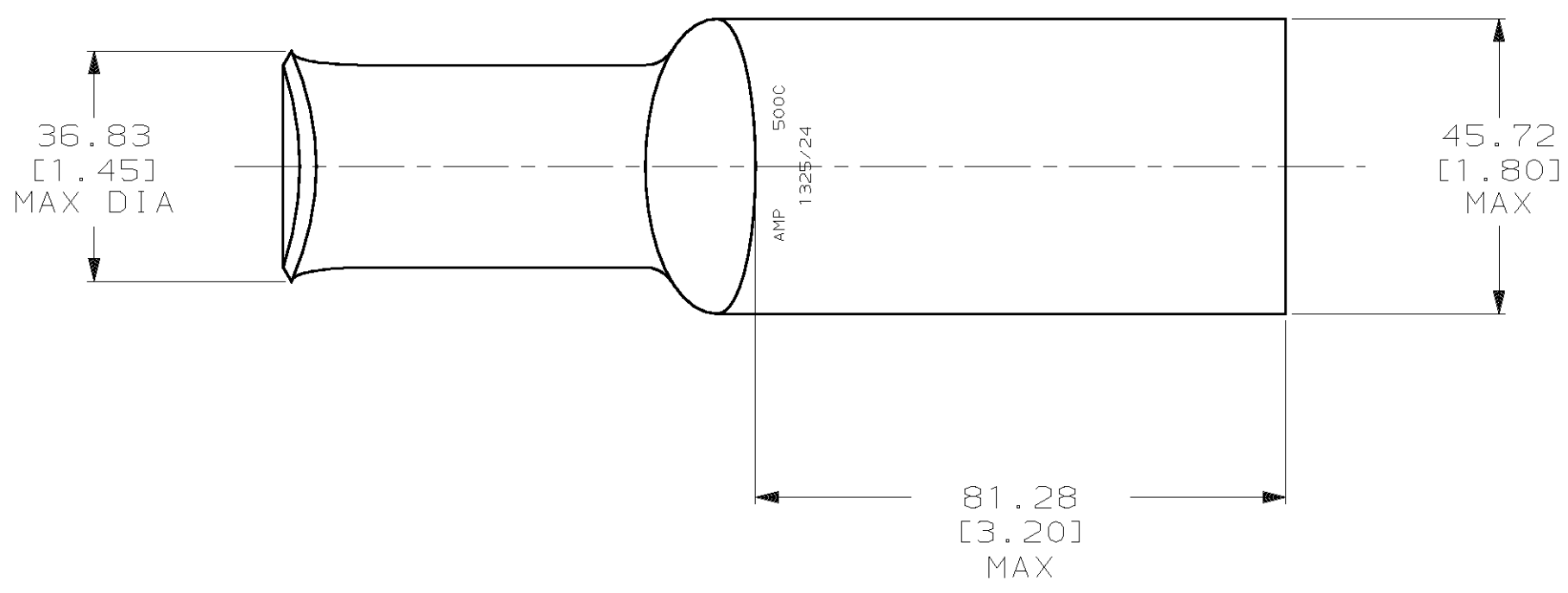
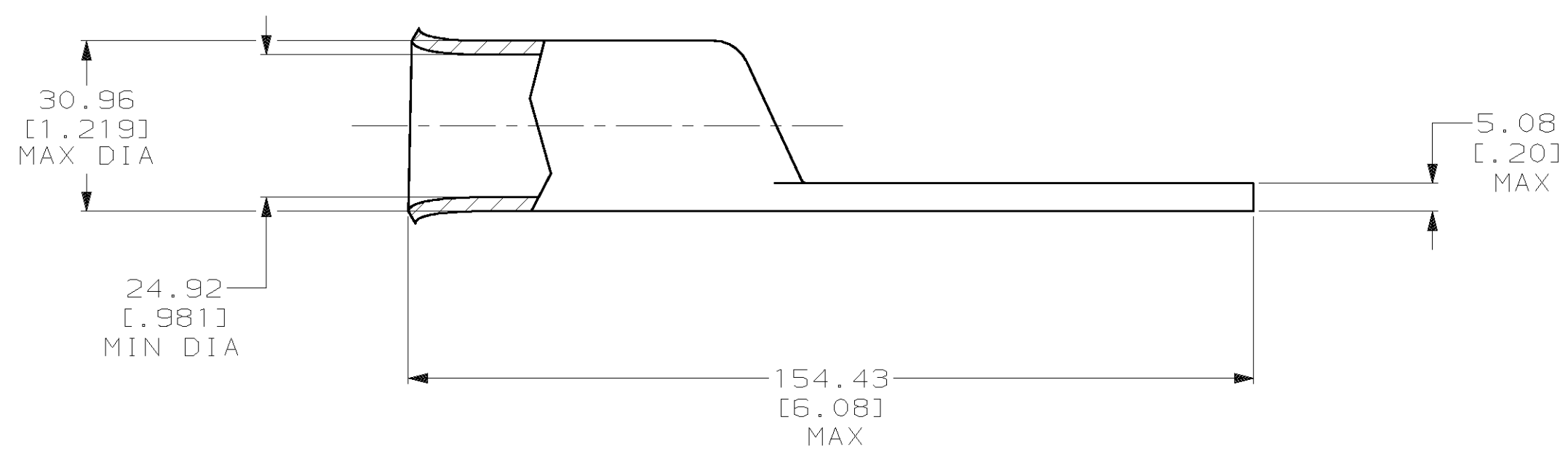


THIS DRAWING IS UNPUBLISHED. RELEASED FOR PUBLICATION, 19 .
 © COPYRIGHT 19 BY AMP INCORPORATED. ALL INTERNATIONAL RIGHTS RESERVED.

LOC		DIST		REVISIONS				DATE	APPD
ZONE	LTR	DESCRIPTION		DATE	APPD				
G	86	P	F	E		REV PER 0G3A-0561-01	08OCT02	JR	



1 CIRCULAR MIL RANGE: 450-550 MCM
 2 TIN PL 0.00381 [0.00150] MIN THK PER MIL-T-10727



326123

B

A

326123
PART NO

DO NOT SCALE PRINT. UNLESS SPECIFIED DIMENSIONS IN mm [INCHES] TOLERANCES ON : 2 PLC DEC ± 0.51 [0.020] 3 PLC DEC ± - ANGLES ± -		DR 02/28/90 DK SCHRUM		AMP INCORPORATED Harrisburg, Pa. 17105	
MATERIAL ANNEALED COPPER ASTM B-75		CHK 24JAN95 MS FEHER			
FINISH 2		APPD 24JAN95 WJ VOCKROTH		NAME TERMINAL, AMPPOWER™ WIRE SIZE: 500 MCM	
APPLICATION SPEC -		APPD 24JAN95 TL SHUTTER		DRAWING NO 326123	
WEIGHT .622 LB		PRODUCT SPEC 108-30200		SCALE 1:1	
		CAGE CODE 00779		SHEET 1 OF 1	

