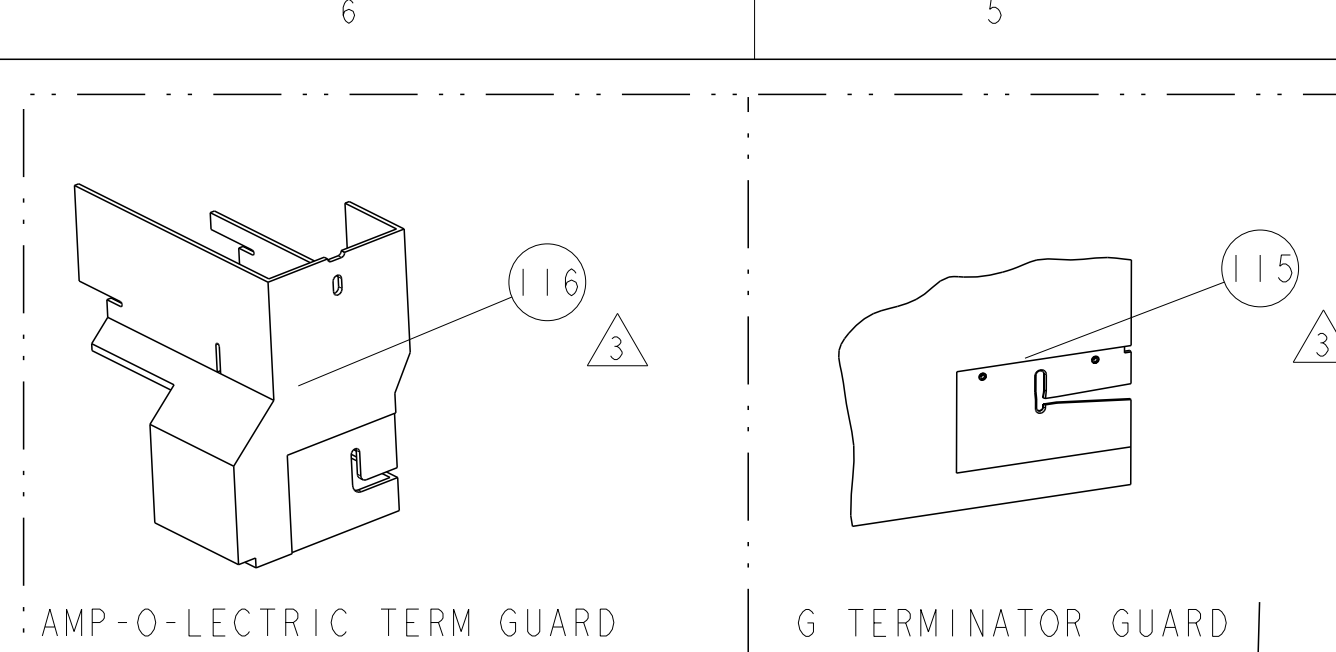


PART NUMBER	REV	FIRST USED	POWER UNIT	FEED TYPE	DESCRIPTION
1852442-1	G	122500-1	LEADMAKER	POST FEED	CUTS CARRIER
1852442-2	G	565435-5	BENCH MODEL K	PRE FEED	CUTS CARRIER
1852442-3	G	354500-1	BENCH MODEL G	PRE FEED	CUTS CARRIER
1852442-6	G	122500-1	LEADMAKER	POST FEED	CONTINUOUS CARRIER
7-1852442-7	G	-	-	-	SPARE PARTS

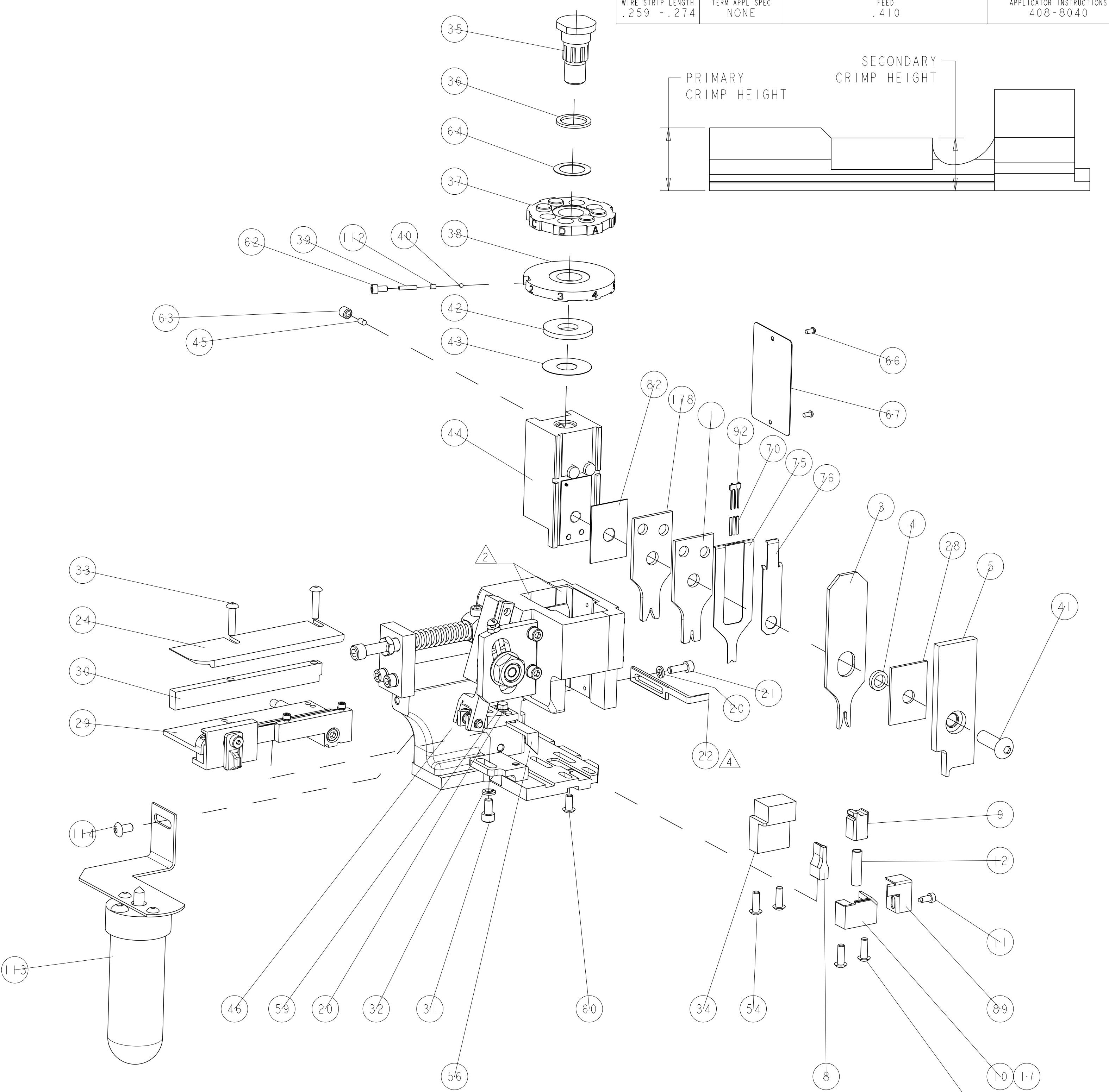
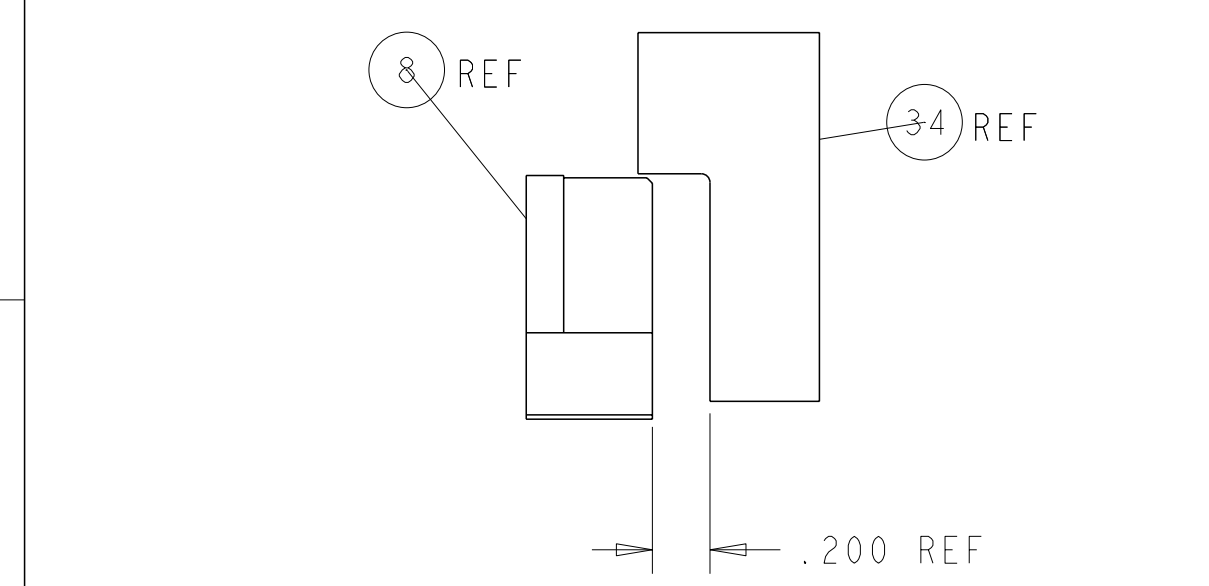
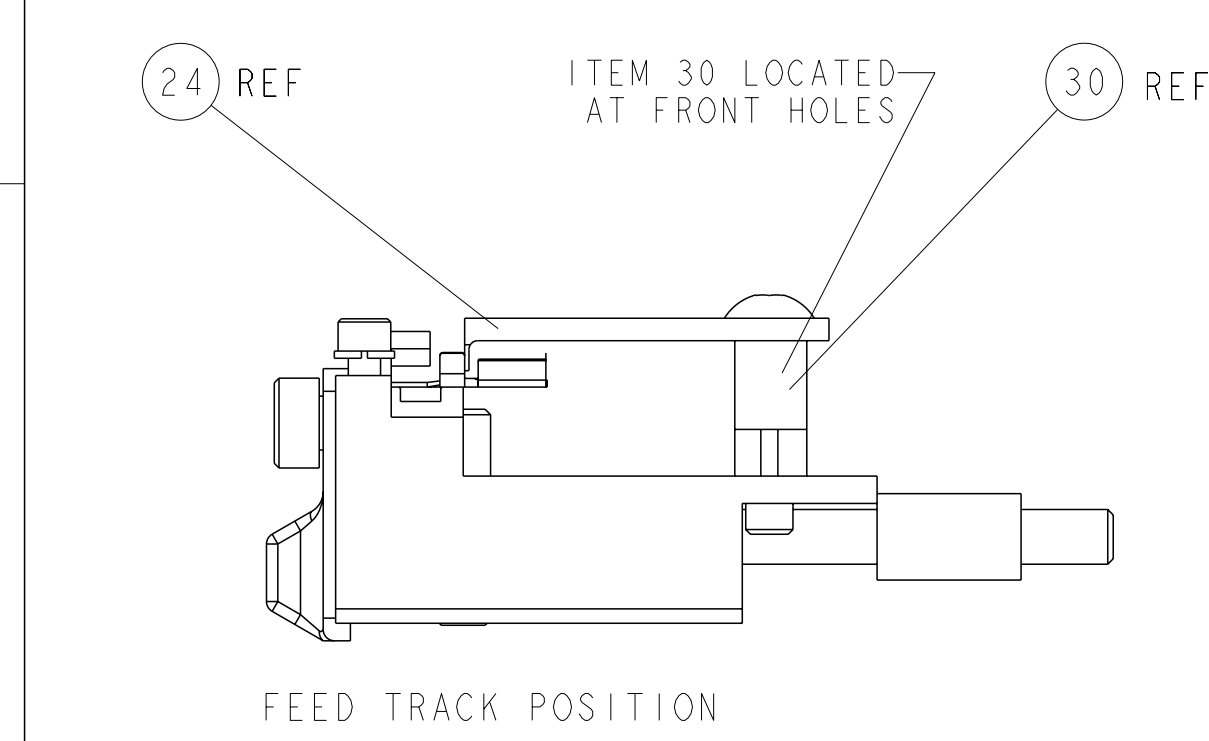
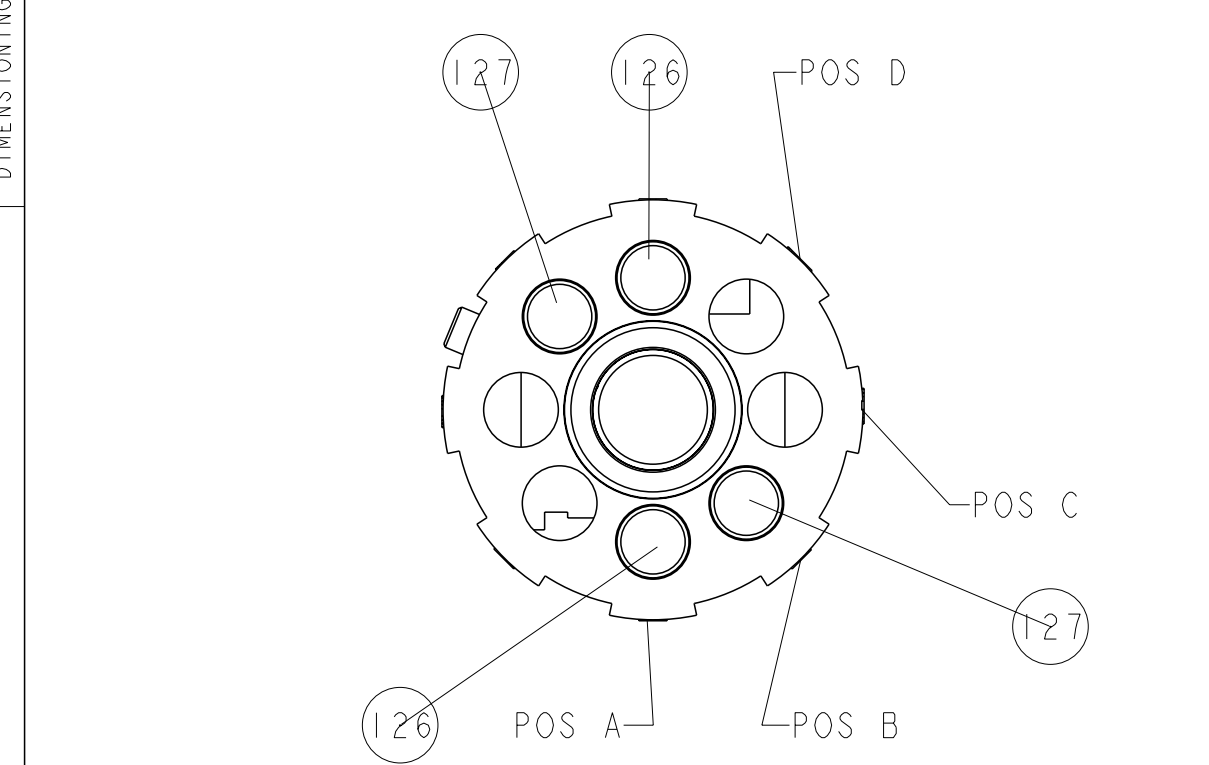


TERMINAL NAME: AMPLIVAR WIRE PIN 500-1400 CMA

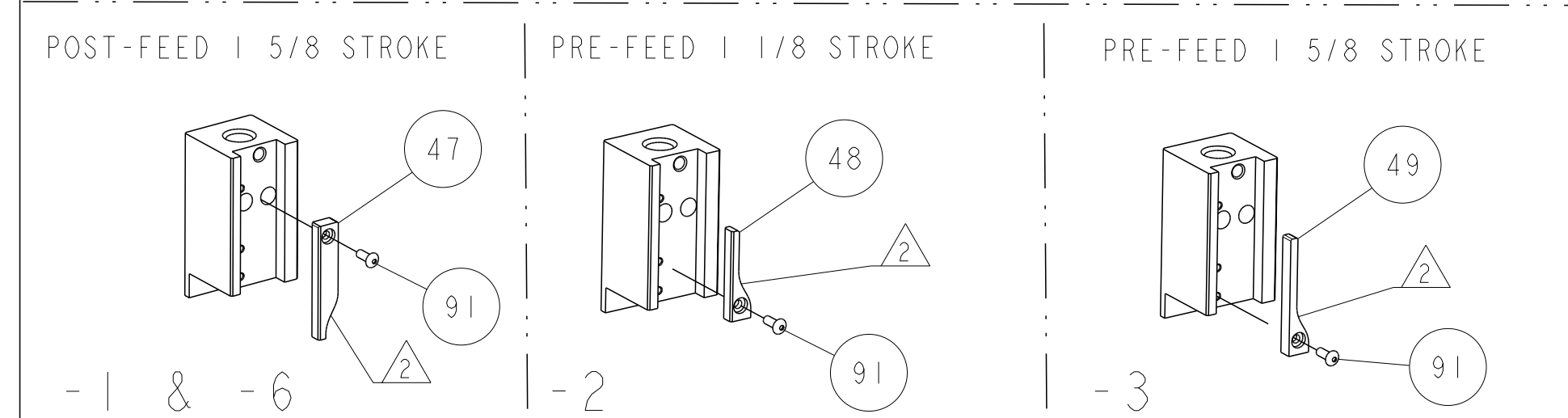
TE PN	TE CRIMP SPECS
1742451	
	PRIMARY CRIMP HEIGHT
	SECONDARY CRIMP HEIGHT
	WIRE SIZE
	CRIMP
	SIZE
	TYPE
	RANGE
	WIRE
	INSUL
WIRE STRIP LENGTH	FEED
.259 - .274	.410
TERM APPL SPEC	APPLICATOR INSTRUCTIONS
NONE	408-8040
	SET UP GAGE
	458637-1

LOC	DIST	REV	DESCRIPTION	DATE	BY	APPD
A	66	F	ECR-11-013044	22JUN2011	RK	GB
		G	ECR-11-026055	29DEC2011	BH	BH

- RECOMMENDED SPARE PARTS
- GREASE LIGHTLY
- GUARD MUST BE IN PLACE WHEN OPERATING APPLICATOR IN A BENCH MACHINE
- STRIPPER (ITEM 22) IS LOCATED BETWEEN INSULATION CRIMPER (ITEM 3) AND SHEAR DEPRESSOR (ITEM 5).



QTY	DESCRIPTION	ITEM NO
1	CRIMPER, WIRE O	178
2	PIN, WIRE DISC, .3215	127
2	PIN, WIRE DISC, .3120	126
REF	GUARD WINDOW	116
REF	INSERT, GUARD	115
1	SCR, BTN SKT HD CAP 10-32 X .375	114
1	LUBRICATOR ASSY	113
1	SPRING ASSIST AMP-O-MATOR APPLICATOR	112
1	HOLDER, PIN, WIRED	92
1	SCR, BTN SKT HD CAP 6-32 X .375	91
1	GUARD, FRONT CHIP	89
1	SPACER, CRIMPER	82
1	DEPRESSOR, SPACER	76
1	DEPRESSOR, WIRE	75
1	SF APPL INST 408-8040	72
1	GENERAL INSTRUCTION PKG	71
3	SPRING, COMPRESSION	70
1	PLATE, IDENTIFICATION	67
2	SCREW, DRIVE	66
1	WASHER, FLAT PRECISION	64
1	SCR, SET, SELF LOCKING 1/4-20 X .250	63
1	SCR, SKT HD CAP 6-32 x .25	62
1	SCR, BHSC, SELF-LOCKING, 8-32 X .375	60
1	SCR, HEX HD CAP 8-32 X .312	59
1	PAWL, FEED	56
4	SCR, BTN SKT HD CAP 8-32 X .500	54
1	CAM, PRE FEED, 1/8	49
1	CAM, PRE FEED, 1/8	48
1	CAM, POST-FEED 1/8	47
1	APPL. BASIC SUB ASSY (SIDE WISE MQCA)	46
1	PLUG, NYLON	45
1	RAM, SIDE FEED	44
1	SHIM SUB-ASSY	43
1	WASHER, RAM (.115)	42
1	SCR, BTN SKT HD CAP 5/16-24 X 1.00	41
1	BALL, STEEL	40
1	SPRING, COMPRESSION	39
1	DISC, INSULATION	38
1	WIRE DISC, ASSEMBLY	37
1	SPRING, COMPRESSION	36
1	POST, RAM	35
1	STOP, WIRE	34
2	SCR, BTN SKT HD CAP 8-32 X .750	33
1	WASHER, SPRG LOCK, REG NO 10	32
1	SCR, SKT HD CAP 10-32 X .375	31
1	SPACER, STRIP GUIDE	30
1	ASSEMBLY, STRIP GUIDE	29
1	SPACER, CRIMPER	28
1	PLATE, STRIP GUIDE	24
1	STRIPPER	22
1	SCR, SKT HD CAP 8-32 X .500	21
2	WASHER, SPRG LOCK, REG NO 8	20
1	SHEAR HOLDER, FRONT (NO CUT)	17
1	SPRING, COMPRESSION	12
1	STOP, SHEAR	11
1	SHEAR HOLDER, FRONT	10
1	FLOATING SHEAR, FRONT	9
1	ANVIL, COMBINATION	8
1	DEPRESSOR, SHEAR	5
1	BLOCK, CRIMPER SPACER	4
1	CRIMPER, INSULATION O PREMIUM	3
1	CRIMPER, WIRE O	1



DIMENSIONS:	TOLERANCES UNLESS OTHERWISE SPECIFIED:	APPROVED:	DATE:
INCHES	9 PLC ±.01 1 PLC ±.01 2 PLC ±.01 3 PLC ±.001 4 PLC ±.0001	B. HIGMAN	07MAR2007
MATERIAL:	FINISH:	T. ELBIN	07MAR2007
CUSTOMER ACCESSIBLE PRODUCTION DRAWING		SCALE 3:5 SHEET 1 OF 1 REV G	