

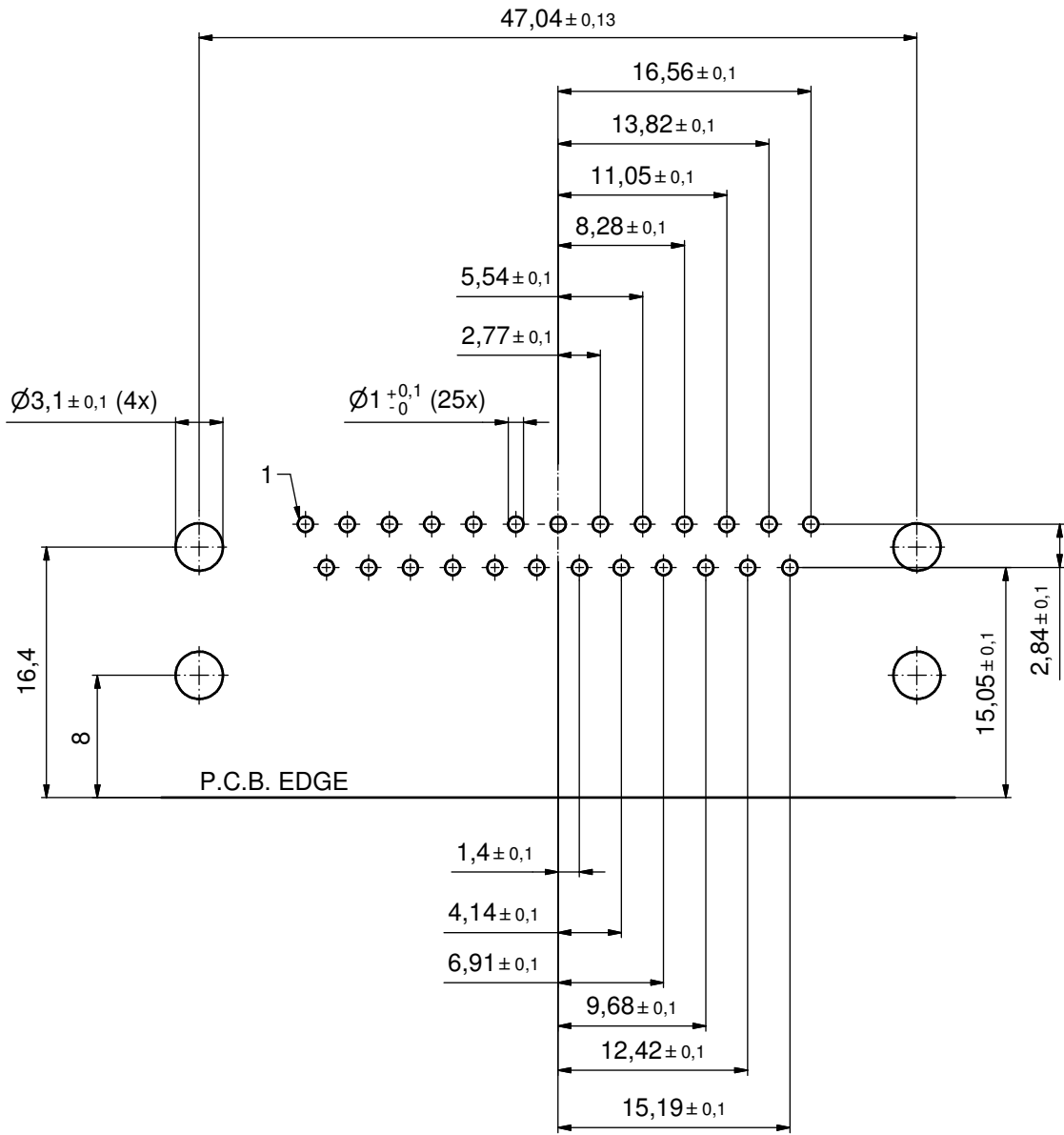
NOTES:

1. METALSHELLS: STEEL; min. 315µin TIN over 40-80µin NICKEL
2. INSULATORS: PBT GF UL 94 V-0; BLACK
3. CONTACTS: COPPER ALLOY; PLATING (SEE PART NO.):
 - PLEASE ADD A for GOLD FLASH over NICKEL (PREFERRED TYPE)
 - PLEASE ADD B for 20µin HARD GOLD over min. 50µin NICKEL
 - PLEASE ADD C for 30µin HARD GOLD over min. 50µin NICKEL
4. PLASTIC BRACKETS: PBT GF UL 94 V-0; BLACK
5. THREADED INSERTS: COPPER ALLOY; min. 200µin TIN over 80µin NICKEL
6. FIXING-PLATE: PBT GF UL 94 V-0; BLACK
7. MAXIMUM TORQUE VALUE FOR THREAD: 6 in.LB
8. CONNECTOR IS PART MARKED: **163□19109X CONEC ABC** (see note 3)

Directive 2002/95/EC RoHS compliant

THIS DRAWING MAY NOT BE COPIED OR REPRODUCED IN ANY WAY, AND MAY NOT BE PASSED ON TO A THIRD PARTY WITHOUT WRITTEN PERMISSION. OWNERSHIP AND COPYRIGHT OF CONEC GmbH DO NOT ALTER CAD DRAWING BY HAND	tolerance			dim. in mm	scale: 2:1 (5:1)
					material: see notes
				date	name
				drawn 29.11.10	Schmidt
				appd. 29.11.10	Fischer
			norm		
			d-old		
2 x b	A4633	30.01.2013	K.H.		title: D-SUB MALE 90° 25pos. SOLDER PIN ANGLED 0.590inch threaded insert, plastic Bracket, fixing plate dwg no: 16K1A2734 part no: (b) 163□19109X (see note 3)
a	Original				
rev.	description	date	name		
					DIN-A3
					sh:1/2

P.C.B. HOLE DRILLINGS
(P.C.B. TOP SIDE)



THIS DRAWING MAY NOT BE COPIED OR REPRODUCED IN ANY WAY, AND MAY NOT BE PASSED ON TO A THIRD PARTY WITHOUT WRITTEN PERMISSION. OWNERSHIP AND COPYRIGHT OF CONEC GmbH DO NOT ALTER CAD DRAWING BY HAND				tolerance		scale: 3:1	
					dim. in mm	material: see sheet 1	
				date	name	title: P.C.B. HOLE DRILLINGS 25pos. SOLDER PIN ANGLED 0.590inch threaded insert, plastic bracket, fixing plate	
				drawn 29.11.10	Schmidt		
				appd. 29.11.10	Fischer		
				norm			
				d-old		dwg no:	
	a	Original		CONEC [®]		16K1A2734	DIN-A3
	rev.	description	date			name	sh:2/2
						part no:	see sheet 1