



Is Now Part of



**ON Semiconductor®**

To learn more about ON Semiconductor, please visit our website at  
[www.onsemi.com](http://www.onsemi.com)

ON Semiconductor and the ON Semiconductor logo are trademarks of Semiconductor Components Industries, LLC dba ON Semiconductor or its subsidiaries in the United States and/or other countries. ON Semiconductor owns the rights to a number of patents, trademarks, copyrights, trade secrets, and other intellectual property. A listing of ON Semiconductor's product/patent coverage may be accessed at [www.onsemi.com/site/pdf/Patent-Marking.pdf](http://www.onsemi.com/site/pdf/Patent-Marking.pdf). ON Semiconductor reserves the right to make changes without further notice to any products herein. ON Semiconductor makes no warranty, representation or guarantee regarding the suitability of its products for any particular purpose, nor does ON Semiconductor assume any liability arising out of the application or use of any product or circuit, and specifically disclaims any and all liability, including without limitation special, consequential or incidental damages. Buyer is responsible for its products and applications using ON Semiconductor products, including compliance with all laws, regulations and safety requirements or standards, regardless of any support or applications information provided by ON Semiconductor. "Typical" parameters which may be provided in ON Semiconductor data sheets and/or specifications can and do vary in different applications and actual performance may vary over time. All operating parameters, including "Typicals" must be validated for each customer application by customer's technical experts. ON Semiconductor does not convey any license under its patent rights nor the rights of others. ON Semiconductor products are not designed, intended, or authorized for use as a critical component in life support systems or any FDA Class 3 medical devices or medical devices with a same or similar classification in a foreign jurisdiction or any devices intended for implantation in the human body. Should Buyer purchase or use ON Semiconductor products for any such unintended or unauthorized application, Buyer shall indemnify and hold ON Semiconductor and its officers, employees, subsidiaries, affiliates, and distributors harmless against all claims, costs, damages, and expenses, and reasonable attorney fees arising out of, directly or indirectly, any claim of personal injury or death associated with such unintended or unauthorized use, even if such claim alleges that ON Semiconductor was negligent regarding the design or manufacture of the part. ON Semiconductor is an Equal Opportunity/Affirmative Action Employer. This literature is subject to all applicable copyright laws and is not for resale in any manner.

# NC7WV14

## TinyLogic® ULP-A Dual Inverter with Schmitt Trigger Input

### Features

- 0.9V to 3.6V  $V_{CC}$  supply operation
- 3.6V overvoltage tolerant I/O's at  $V_{CC}$  from 0.9V to 3.6V
- Extremely High Speed  $t_{PD}$ :
  - 1.5ns typ. for 2.7V to 3.6V  $V_{CC}$
  - 1.8ns typ. for 2.3V to 2.7V  $V_{CC}$
  - 2.0ns typ. for 1.65V to 1.95V  $V_{CC}$
  - 3.2ns typ. for 1.4V to 1.6V  $V_{CC}$
  - 5.9ns typ. for 1.1V to 1.3V  $V_{CC}$
  - 12.0ns typ. for 0.9V  $V_{CC}$
- Power-Off high impedance inputs and outputs
- High Static Drive ( $I_{OH}/I_{OL}$ ):
  - ±24mA @ 3.00V  $V_{CC}$
  - ±18mA @ 2.30V  $V_{CC}$
  - ±6mA @ 1.65V  $V_{CC}$
  - ±4mA @ 1.4V  $V_{CC}$
  - ±2mA @ 1.1V  $V_{CC}$
  - ±0.1mA @ 0.9V  $V_{CC}$
- Uses patented Quiet Series™ noise/EMI reduction circuitry
- Ultra small MicroPak™ package
- Ultra low dynamic power


### General Description

The NC7WV14 is a dual inverter with Schmitt trigger from Fairchild's Ultra Low Power-A (ULP-A) Series of TinyLogic®. ULP-A is ideal for applications that require extreme high speed, high drive and low power. This product is designed for a wide low voltage operating range (0.9V to 3.6V  $V_{CC}$ ) and applications that require more drive and speed than the TinyLogic ULP series, but still offer best in class low power operation.

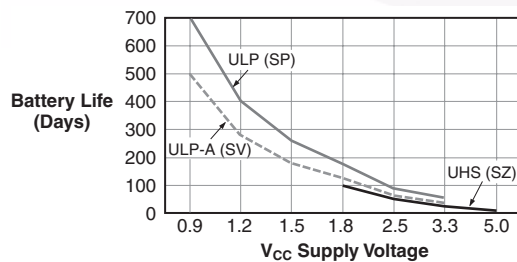
The NC7WV14 is uniquely designed for optimized power and speed, and is fabricated with an advanced CMOS technology to achieve high-speed operation while maintaining low CMOS power dissipation.

### Ordering Information

Order Number	Package Number	Package Code Top Mark	Package Description	Supplied As
NC7WV14P6X	MAA06A	V14	6-Lead SC70, EIAJ SC88, 1.25mm Wide	3k Units on Tape and Reel
NC7WV14L6X	MAC06A	BD	6-Lead MicroPak, 1.0mm Wide	5k Units on Tape and Reel

 All packages are lead free per JEDEC: J-STD-020B standard.

### Battery Life vs. $V_{CC}$ Supply Voltage



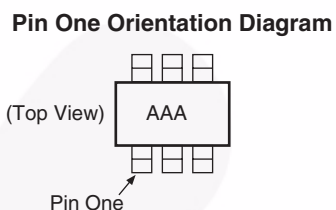
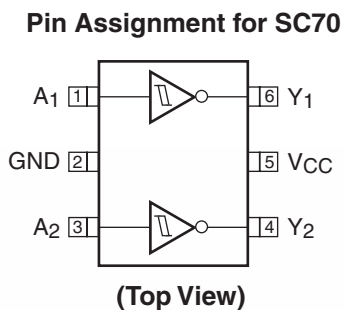
TinyLogic ULP and ULP-A with up to 50% less power consumption can extend your battery life significantly.

$$\text{Battery Life} = (V_{\text{battery}} \times I_{\text{battery}} \times 0.9) / (P_{\text{device}}) / 24\text{hrs/day}$$

$$\text{Where, } P_{\text{device}} = (I_{CC} \times V_{CC}) + (C_{PD} + C_L) \times V_{CC}^2 \times f$$

Assumes ideal 3.6V Lithium Ion battery with current rating of 900mAh and derated 90% and device frequency at 10MHz, with  $C_L = 15\text{pF}$  load.

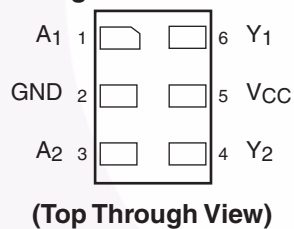
## Connection Diagrams



AAA represents Product Code Top Mark – see ordering code

**Note:** Orientation of top mark determines pin one location. Read the top product code mark left to right. Pin one is the lower left pin (see diagram).

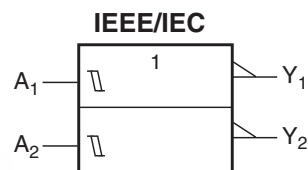
### Pad Assignments for MicroPak



## Pin Description

Pin Names	Description
A <sub>1</sub> , A <sub>2</sub>	Data Inputs
Y <sub>1</sub> , Y <sub>2</sub>	Output

## Logic Symbol



## Function Table

$$Y = \bar{A}$$

Input	Output
A	Y
L	H
H	L

H = HIGH Logic Level

L = LOW Logic Level

## Absolute Maximum Ratings

Stresses exceeding the absolute maximum ratings may damage the device. The device may not function or be operable above the recommended operating conditions and stressing the parts to these levels is not recommended. In addition, extended exposure to stresses above the recommended operating conditions may affect device reliability. The absolute maximum ratings are stress ratings only.

Symbol	Parameter	Rating
$V_{CC}$	Supply Voltage	-0.5V to +4.6V
$V_{IN}$	DC Input Voltage	-0.5V to +4.6V
$V_{OUT}$	DC Output Voltage HIGH or LOW State <sup>(1)</sup> $V_{CC} = 0V$	-0.5V to $V_{CC} + 0.5V$ -0.5V to +4.6V
$I_{IK}$	DC Input Diode Current @ $V_{IN} < 0V$	-50mA
$I_{OK}$	DC Output Diode Current $V_{OUT} < 0V$ $V_{OUT} > V_{CC}$	-50mA +50mA
$I_{OH}/I_{OL}$	DC Output Source/Sink Current	±50mA
$I_{CC}$ or Ground	DC $V_{CC}$ or Ground Current per Supply Pin	±50mA
$T_{STG}$	Storage Temperature Range	-65°C to +150°C
$T_J$	Junction Temperature Under Bias	150°C
$T_L$	Junction Lead Temperature (Soldering, 10 seconds)	260°C
$P_D$	Power Dissipation @ +85°C SC70-6 Micropak-6	185mW 210mW

## Recommended Operating Conditions<sup>(2)</sup>

The Recommended Operating Conditions table defines the conditions for actual device operation. Recommended operating conditions are specified to ensure optimal performance to the datasheet specifications. Fairchild does not recommend exceeding them or designing to absolute maximum ratings.

Symbol	Parameter	Rating
$V_{CC}$	Supply Voltage	0.9V to 3.6V
$V_{IN}$	Input Voltage	0V to 3.6V
$V_{OUT}$	Output Voltage HIGH or LOW State $V_{CC} = 0V$	0V to $V_{CC}$ 0V to 3.6V
$I_{OH}/I_{OL}$	Output Current in $I_{OH}/I_{OL}$ $V_{CC} = 3.0V$ to 3.6V $V_{CC} = 2.3V$ to 2.7V $V_{CC} = 1.65V$ to 1.95V $V_{CC} = 1.4V$ to 1.6V $V_{CC} = 1.1V$ to 1.3V $V_{CC} = 0.9V$	±24mA ±18mA ±6mA ±4mA ±2mA ±0.1mA
$T_A$	Free Air Operating Temperature	-40°C to +85°C
$\Delta t/\Delta V$	Minimum Input Edge Rate @ $V_{IN} = 0.8V$ to 2.0V, $V_{CC} = 3.0V$	10ns/V
$\theta_{JA}$	Thermal Resistance SC70-6 Micropak-6	350°C/W 310°C/W

### Notes:

- $I_O$  Absolute Maximum Rating must be observed.
- Unused inputs must be held HIGH or LOW. They may not float.

## DC Electrical Characteristics

Symbol	Parameter	V <sub>CC</sub> (V)	Conditions	T <sub>A</sub> = +25°C		T <sub>A</sub> = -40°C to +85°C		Units
				Min.	Max.	Min.	Max.	
V <sub>P</sub>	Positive Threshold Voltage	0.90		0.3	0.7	0.3	0.7	V
		1.10		0.4	1.0	0.4	1.0	
		1.40		0.5	1.4	0.5	1.4	
		1.65		0.7	1.5	0.7	1.5	
		2.30		1.0	1.8	1.0	1.8	
		2.70		1.3	2.2	1.3	2.2	
V <sub>N</sub>	Negative Threshold Voltage	0.90		0.10	0.6	0.10	0.6	V
		1.10		0.15	0.7	0.15	0.7	
		1.40		0.20	0.8	0.20	0.8	
		1.65		0.25	0.9	0.25	0.9	
		2.30		0.4	1.15	0.4	1.15	
		2.70		0.6	1.5	0.6	1.5	
V <sub>H</sub>	Hysteresis Voltage	0.90		0.07	0.5	0.07	0.5	V
		1.10		0.08	0.6	0.08	0.6	
		1.40		0.10	0.8	0.10	0.8	
		1.65		0.15	1.0	0.15	1.0	
		2.30		0.25	1.1	0.25	1.1	
		2.70		0.40	1.2	0.40	1.2	
V <sub>OH</sub>	HIGH Level Output Voltage	0.90	I <sub>OH</sub> = -100μA	V <sub>CC</sub> - 0.1		V <sub>CC</sub> - 0.1		V
		1.10 ≤ V <sub>CC</sub> ≤ 1.30		V <sub>CC</sub> - 0.1		V <sub>CC</sub> - 0.1		
		1.40 ≤ V <sub>CC</sub> ≤ 1.60		V <sub>CC</sub> - 0.2		V <sub>CC</sub> - 0.2		
		1.65 ≤ V <sub>CC</sub> ≤ 1.95		V <sub>CC</sub> - 0.2		V <sub>CC</sub> - 0.2		
		2.30 ≤ V <sub>CC</sub> < 2.70		V <sub>CC</sub> - 0.2		V <sub>CC</sub> - 0.2		
		2.70 ≤ V <sub>CC</sub> ≤ 3.60		V <sub>CC</sub> - 0.2		V <sub>CC</sub> - 0.2		
		1.10 ≤ V <sub>CC</sub> ≤ 1.30	I <sub>OH</sub> = -2mA	0.75 x V <sub>CC</sub>		0.75 x V <sub>CC</sub>		
		1.40 ≤ V <sub>CC</sub> ≤ 1.60	I <sub>OH</sub> = -4mA	0.75 x V <sub>CC</sub>		0.75 x V <sub>CC</sub>		
		1.65 ≤ V <sub>CC</sub> ≤ 1.95	I <sub>OH</sub> = -6mA	1.25		1.25		
		2.30 ≤ V <sub>CC</sub> < 2.70		2.0		2.0		
		2.30 ≤ V <sub>CC</sub> < 2.70	I <sub>OH</sub> = -12mA	1.8		1.8		
		2.70 ≤ V <sub>CC</sub> ≤ 3.60		2.2		2.2		
		2.30 ≤ V <sub>CC</sub> < 2.70	I <sub>OH</sub> = -18mA	1.7		1.7		
		2.70 ≤ V <sub>CC</sub> ≤ 3.60		2.4		2.4		
2.70 ≤ V <sub>CC</sub> ≤ 3.60	I <sub>OH</sub> = -24mA	2.2		2.2				

### DC Electrical Characteristics (Continued)

Symbol	Parameter	V <sub>CC</sub> (V)	Conditions	T <sub>A</sub> = +25°C		T <sub>A</sub> = -40°C to +85°C		Units
				Min.	Max.	Min.	Max.	
V <sub>OL</sub>	LOW Level Output Voltage	0.90	I <sub>OL</sub> = 100μA		0.1		0.1	V
		1.10 ≤ V <sub>CC</sub> ≤ 1.30			0.1		0.1	
		1.40 ≤ V <sub>CC</sub> ≤ 1.60			0.2		0.2	
		1.65 ≤ V <sub>CC</sub> ≤ 1.95			0.2		0.2	
		2.30 ≤ V <sub>CC</sub> < 2.70			0.2		0.2	
		2.70 ≤ V <sub>CC</sub> ≤ 3.60			0.2		0.2	
		1.10 ≤ V <sub>CC</sub> ≤ 1.30	I <sub>OL</sub> = 2mA		0.25 x V <sub>CC</sub>		0.25 x V <sub>CC</sub>	
		1.40 ≤ V <sub>CC</sub> ≤ 1.60	I <sub>OL</sub> = 4mA		0.25 x V <sub>CC</sub>		0.25 x V <sub>CC</sub>	
		1.65 ≤ V <sub>CC</sub> ≤ 1.95	I <sub>OL</sub> = 6mA		0.3		0.3	
		2.30 ≤ V <sub>CC</sub> < 2.70	I <sub>OL</sub> = 12mA		0.4		0.4	
		2.70 ≤ V <sub>CC</sub> ≤ 3.60			0.4		0.4	
		2.30 ≤ V <sub>CC</sub> < 2.70	I <sub>OL</sub> = 18mA		0.6		0.6	
		2.70 ≤ V <sub>CC</sub> ≤ 3.60			0.4		0.4	
2.70 ≤ V <sub>CC</sub> ≤ 3.60	I <sub>OL</sub> = 24mA		0.55		0.55			
I <sub>IN</sub>	Input Leakage Current	0.90 to 3.60	0 ≤ V <sub>I</sub> ≤ 3.6V		±0.1		±0.5	μA
I <sub>OFF</sub>	Power Off Leakage Current	0	0 ≤ (V <sub>I</sub> , V <sub>O</sub> ) ≤ 3.6V		0.5		0.5	μA
I <sub>CC</sub>	Quiescent Supply Current	0.90 to 3.60	V <sub>I</sub> = V <sub>CC</sub> or GND		0.9		0.9	μA
			V <sub>CC</sub> ≤ V <sub>I</sub> ≤ 3.6V				±0.9	

### Electrical Characteristics

Symbol	Parameter	V <sub>CC</sub> (V)	Conditions	T <sub>A</sub> = +25°C			T <sub>A</sub> = -40°C to +85°C		Units	Figure Number
				Min.	Typ.	Max.	Min.	Max.		
t <sub>PHL</sub> , t <sub>PLH</sub>	Propagation Delay	0.90	C <sub>L</sub> = 15pF, R <sub>L</sub> = 1MΩ		12				ns	Figure 1 Figure 2
		1.10 ≤ V <sub>CC</sub> ≤ 1.30	C <sub>L</sub> = 15pF, R <sub>L</sub> = 2kΩ	2.0	5.9	11.5	1.0	15.6		
		1.40 ≤ V <sub>CC</sub> ≤ 1.60		1.0	3.2	6.3	0.9	7.0		
		1.65 ≤ V <sub>CC</sub> ≤ 1.95	C <sub>L</sub> = 30pF, R <sub>L</sub> = 500Ω	1.0	2.0	5.2	0.7	6.2		
		2.30 ≤ V <sub>CC</sub> < 2.70		0.8	1.8	3.7	0.6	4.4		
		2.70 ≤ V <sub>CC</sub> ≤ 3.60		0.7	1.5	3.3	0.5	3.8		
C <sub>IN</sub>	Input Capacitance	0			2.0			pF		
C <sub>PD</sub>	Power Dissipation Capacitance	0.90 to 3.60	V <sub>I</sub> = 0V or V <sub>CC</sub> , f = 10MHz		14			pF		

## AC Loading and Waveforms

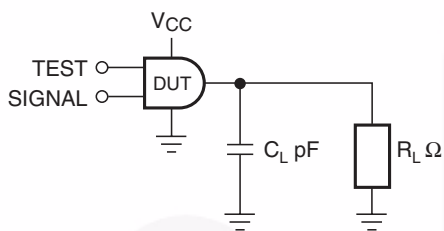


Figure 1. AC Test Circuit

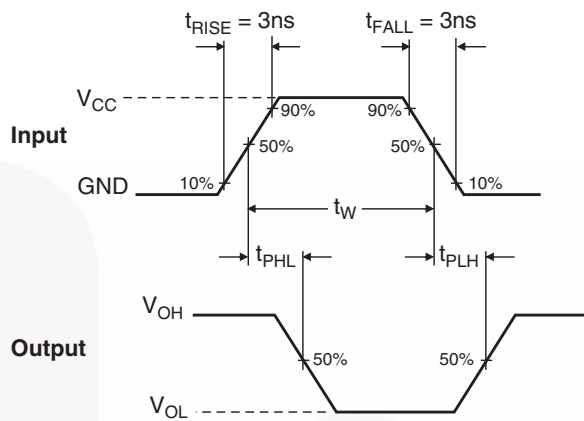


Figure 2. AC Waveforms

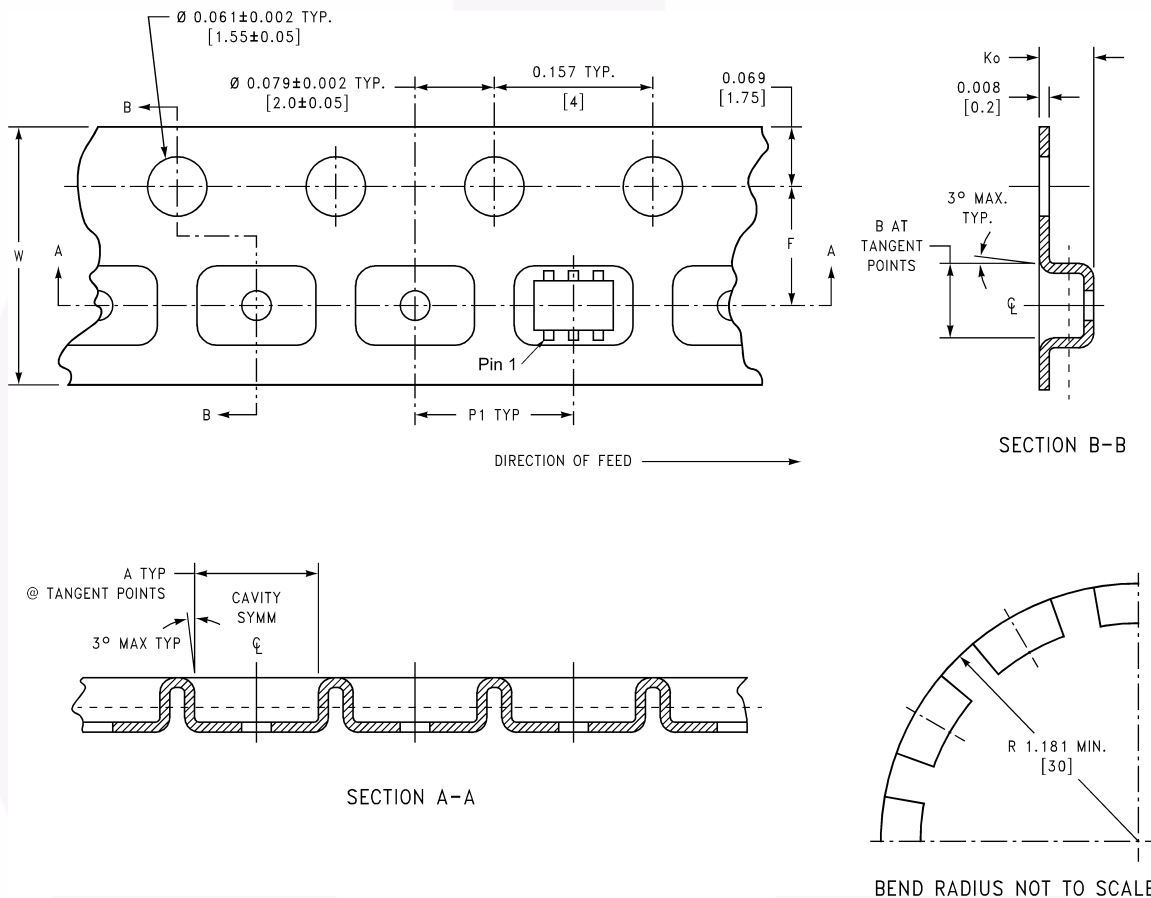
Symbol	$V_{CC}$					
	$3.3V \pm 0.3V$	$2.5V \pm 0.2V$	$1.8V \pm 0.15V$	$1.5V \pm 0.1V$	$1.2V \pm 0.1V$	$0.9V$
$V_{mi}$	1.5V	$V_{CC}/2$	$V_{CC}/2$	$V_{CC}/2$	$V_{CC}/2$	$V_{CC}/2$
$V_{mo}$	1.5V	$V_{CC}/2$	$V_{CC}/2$	$V_{CC}/2$	$V_{CC}/2$	$V_{CC}/2$

## Tape and Reel Specification

### Tape Format for SC70

Package Designator	Tape Section	Number Cavities	Cavity Status	Cover Tape Status
P6X	Leader (Start End)	125 (typ)	Empty	Sealed
	Carrier	3000	Filled	Sealed
	Trailer (Hub End)	75 (typ)	Empty	Sealed

### Tape Dimension inches (millimeters)



Package	Tape Size	Dim A	Dim B	Dim F	Dim K <sub>O</sub>	Dim P1	Dim W
SC70-6	8mm	0.093 (2.35)	0.096 (2.45)	0.138 ± 0.004 (3.5 ± 0.10)	0.053 ± 0.004 (1.35 ± 0.10)	0.157 (4)	0.315 ± 0.004 (8 ± 0.1)

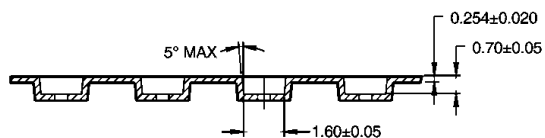
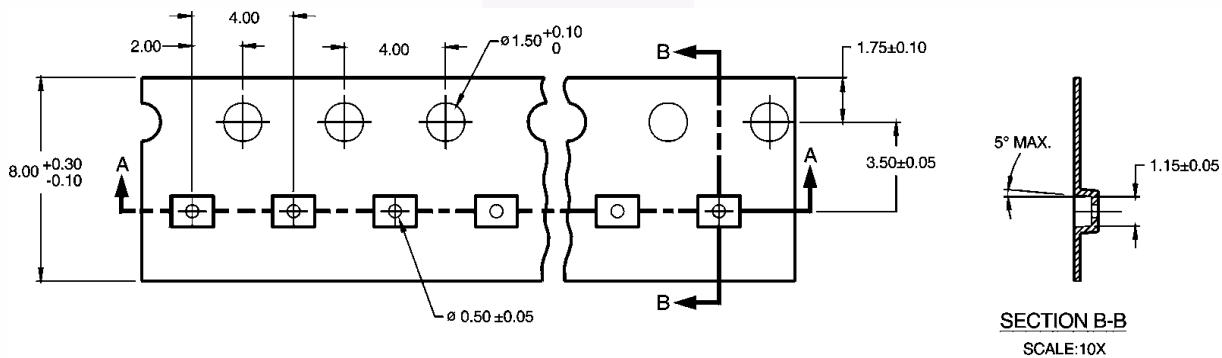


## Tape and Reel Specification (Continued)

### Tape Format for MicroPak

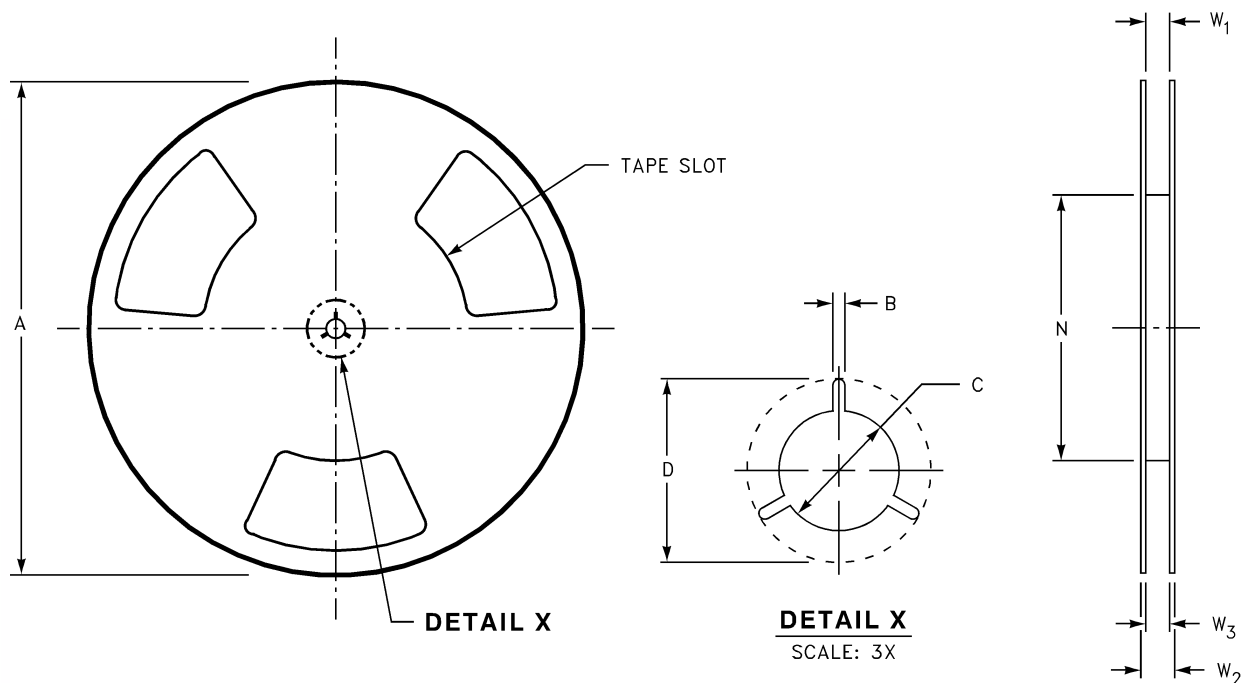
Package Designator	Tape Section	Number Cavities	Cavity Status	Cover Tape Status
L6X	Leader (Start End)	125 (typ.)	Empty	Sealed
	Carrier	3000	Filled	Sealed
	Trailer (Hub End)	75 (typ)	Empty	Sealed

### Tape Dimension inches (millimeters)



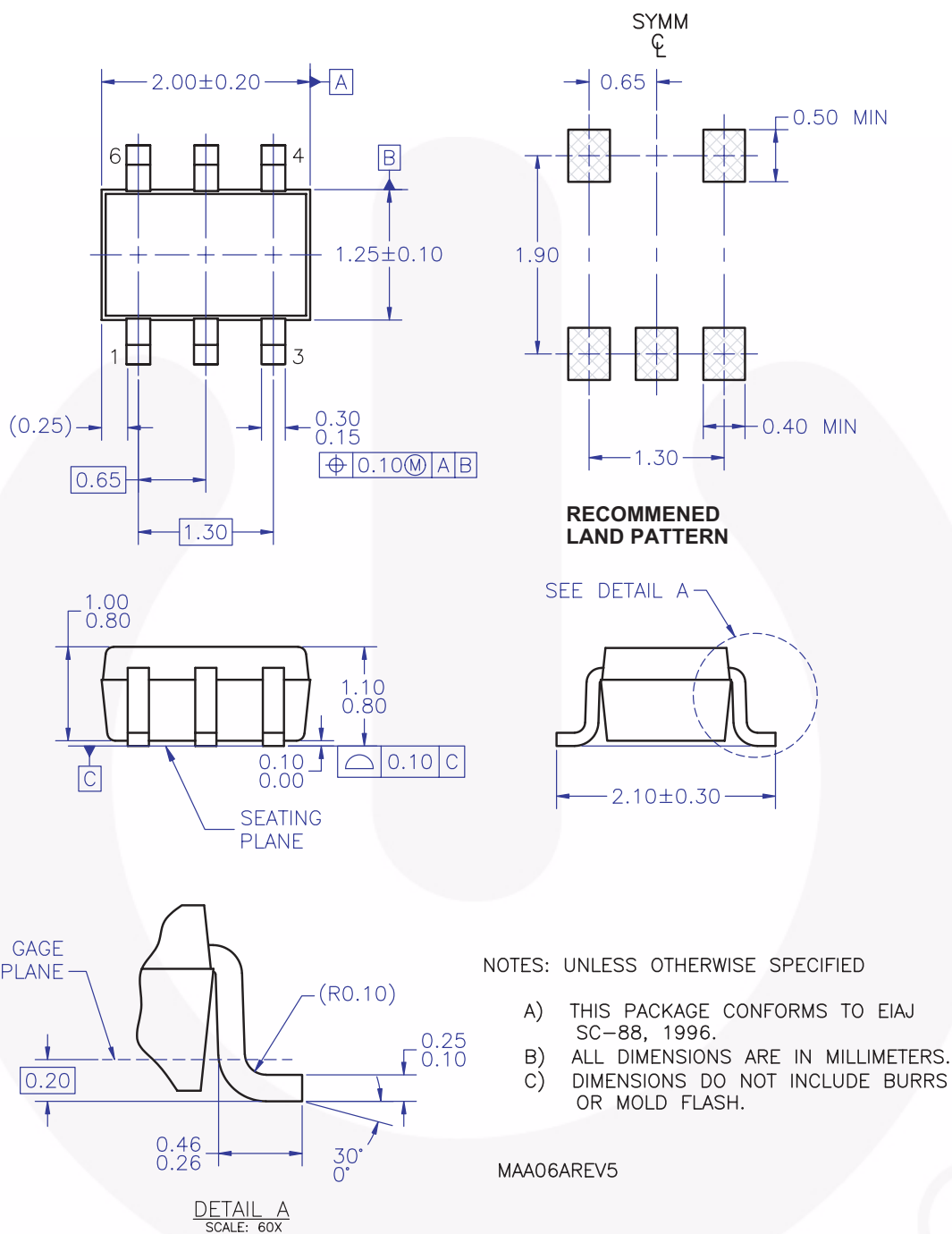
**Tape and Reel Specification** (Continued)

Reel Dimension for MicroPak inches (millimeters)



Tape Size	A	B	C	D	N	W1	W2	W3
8mm	7.0 (177.8)	0.059 (1.50)	0.512 (13.00)	0.795 (20.20)	2.165 (55.00)	0.331 + 0.059/-0.000 (8.40 + 1.50/-0.00)	0.567 (14.40)	W1 + 0.078/-0.039 (W1 + 2.00/-1.00)

## Physical Dimensions



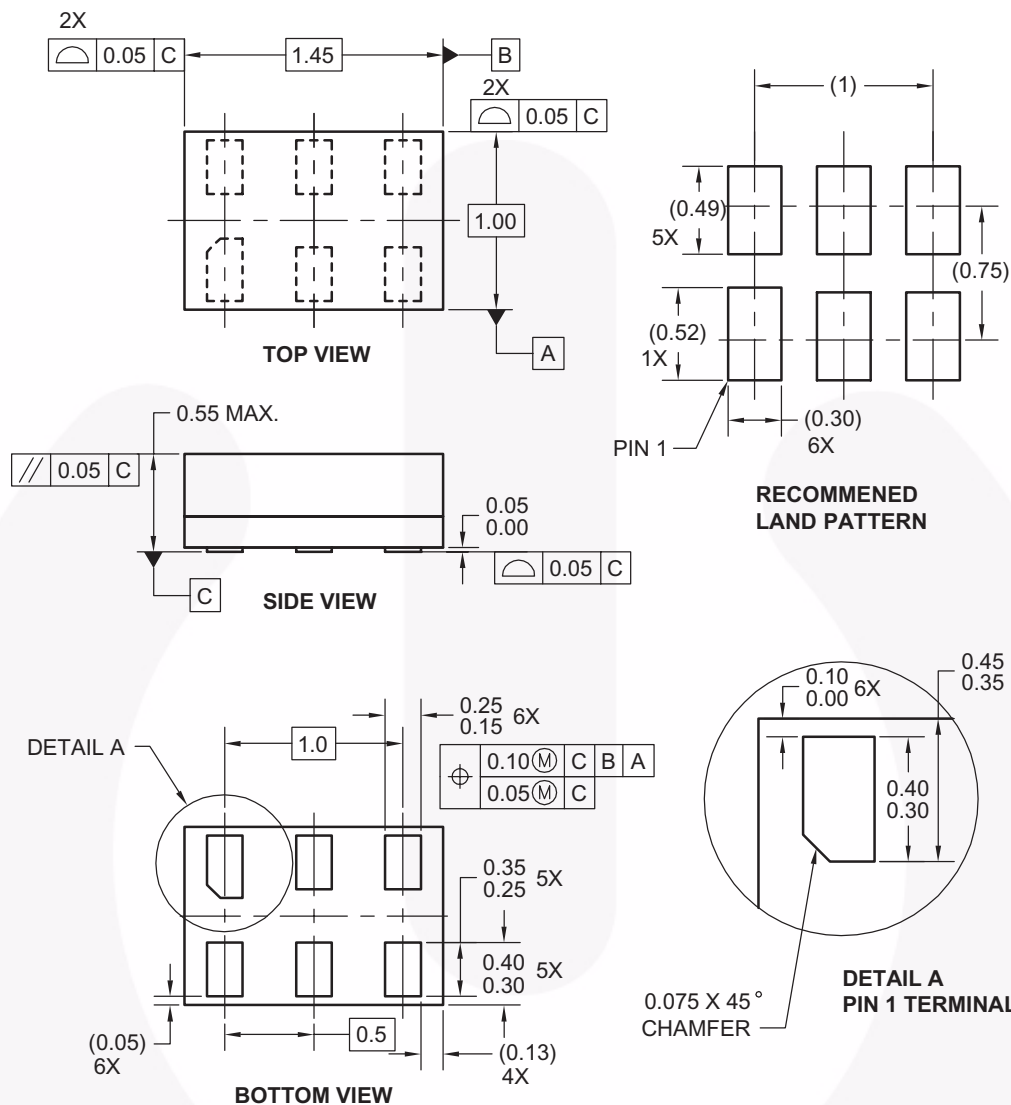
**Figure 3. 6-Lead SC70, EIAJ SC88, 1.25mm Wide**

Package drawings are provided as a service to customers considering Fairchild components. Drawings may change in any manner without notice. Please note the revision and/or date on the drawing and contact a Fairchild Semiconductor representative to verify or obtain the most recent revision. Package specifications do not expand the terms of Fairchild's worldwide terms and conditions, specifically the warranty therein, which covers Fairchild products.

Always visit Fairchild Semiconductor's online packaging area for the most recent package drawings:

<http://www.fairchildsemi.com/packaging/>

### Physical Dimensions (Continued)



**Notes:**

1. CONFORMS TO JEDEC STANDARD M0-252 VARIATION UAAD
2. DIMENSIONS ARE IN MILLIMETERS
3. DRAWING CONFORMS TO ASME Y14.5M-1994

MAC06AREVC

**Figure 4. 6-Lead MicroPak, 1.0mm Wide**

Package drawings are provided as a service to customers considering Fairchild components. Drawings may change in any manner without notice. Please note the revision and/or date on the drawing and contact a Fairchild Semiconductor representative to verify or obtain the most recent revision. Package specifications do not expand the terms of Fairchild's worldwide terms and conditions, specifically the warranty therein, which covers Fairchild products.




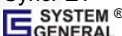
Always visit Fairchild Semiconductor's online packaging area for the most recent package drawings:

<http://www.fairchildsemi.com/packaging/>



**TRADEMARKS**

The following includes registered and unregistered trademarks and service marks, owned by Fairchild Semiconductor and/or its global subsidiaries, and is not intended to be an exhaustive list of all such trademarks.

ACEx®	FPS™	PDP SPM™	The Power Franchise®
Build it Now™	F-PFS™	Power-SPM™	the power franchise
CorePLUS™	FRFET®	PowerTrench®	TinyBoost™
CorePOWER™	Global Power Resource™	Programmable Active Droop™	TinyBuck™
CROSSVOLT™	Green FPS™	QFET®	TinyLogic®
CTL™	Green FPS™ e-Series™	QS™	TINYOPTO™
Current Transfer Logic™	GTO™	Quiet Series™	TinyPower™
EcoSPARK®	IntelliMAX™	RapidConfigure™	TinyPWM™
EfficientMax™	ISOPLANAR™	Saving our world, 1mW at a time™	TinyWire™
EZSWITCH™ *	MegaBuck™	SmartMax™	μSerDes™
 ™	MICROCOUPLER™	SMART START™	
 ®	MicroFET™	SPM®	UHC®
Fairchild®	MicroPak™	STEALTH™	Ultra FRFET™
Fairchild Semiconductor®	MillerDrive™	SuperFET™	UniFET™
FACT Quiet Series™	MotionMax™	SuperSOT™-3	VCX™
FACT®	Motion-SPM™	SuperSOT™-6	VisualMax™
FAST®	OPTOLOGIC®	SuperSOT™-8	
FastvCore™	OPTOPLANAR®	SupreMOS™	
FlashWriter®		SyncFET™	
			

\* EZSWITCH™ and FlashWriter® are trademarks of System General Corporation, used under license by Fairchild Semiconductor.

**DISCLAIMER**

FAIRCHILD SEMICONDUCTOR RESERVES THE RIGHT TO MAKE CHANGES WITHOUT FURTHER NOTICE TO ANY PRODUCTS HEREIN TO IMPROVE RELIABILITY, FUNCTION, OR DESIGN. FAIRCHILD DOES NOT ASSUME ANY LIABILITY ARISING OUT OF THE APPLICATION OR USE OF ANY PRODUCT OR CIRCUIT DESCRIBED HEREIN; NEITHER DOES IT CONVEY ANY LICENSE UNDER ITS PATENT RIGHTS, NOR THE RIGHTS OF OTHERS. THESE SPECIFICATIONS DO NOT EXPAND THE TERMS OF FAIRCHILD'S WORLDWIDE TERMS AND CONDITIONS, SPECIFICALLY THE WARRANTY THEREIN, WHICH COVERS THESE PRODUCTS.

**LIFE SUPPORT POLICY**

FAIRCHILD'S PRODUCTS ARE NOT AUTHORIZED FOR USE AS CRITICAL COMPONENTS IN LIFE SUPPORT DEVICES OR SYSTEMS WITHOUT THE EXPRESS WRITTEN APPROVAL OF FAIRCHILD SEMICONDUCTOR CORPORATION.

As used herein:

1. Life support devices or systems are devices or systems which, (a) are intended for surgical implant into the body or (b) support or sustain life, and (c) whose failure to perform when properly used in accordance with instructions for use provided in the labeling, can be reasonably expected to result in a significant injury of the user.
2. A critical component in any component of a life support, device, or system whose failure to perform can be reasonably expected to cause the failure of the life support device or system, or to affect its safety or effectiveness.

**PRODUCT STATUS DEFINITIONS**

**Definition of Terms**

Datasheet Identification	Product Status	Definition
Advance Information	Formative / In Design	This datasheet contains the design specifications for product development. Specifications may change in any manner without notice.
Preliminary	First Production	This datasheet contains preliminary data; supplementary data will be published at a later date. Fairchild Semiconductor reserves the right to make changes at any time without notice to improve design.
No Identification Needed	Full Production	This datasheet contains final specifications. Fairchild Semiconductor reserves the right to make changes at any time without notice to improve the design.
Obsolete	Not In Production	This datasheet contains specifications on a product that is discontinued by Fairchild Semiconductor. The datasheet is for reference information only.

Rev. I34

ON Semiconductor and  are trademarks of Semiconductor Components Industries, LLC dba ON Semiconductor or its subsidiaries in the United States and/or other countries. ON Semiconductor owns the rights to a number of patents, trademarks, copyrights, trade secrets, and other intellectual property. A listing of ON Semiconductor's product/patent coverage may be accessed at [www.onsemi.com/site/pdf/Patent-Marking.pdf](http://www.onsemi.com/site/pdf/Patent-Marking.pdf). ON Semiconductor reserves the right to make changes without further notice to any products herein. ON Semiconductor makes no warranty, representation or guarantee regarding the suitability of its products for any particular purpose, nor does ON Semiconductor assume any liability arising out of the application or use of any product or circuit, and specifically disclaims any and all liability, including without limitation special, consequential or incidental damages. Buyer is responsible for its products and applications using ON Semiconductor products, including compliance with all laws, regulations and safety requirements or standards, regardless of any support or applications information provided by ON Semiconductor. "Typical" parameters which may be provided in ON Semiconductor data sheets and/or specifications can and do vary in different applications and actual performance may vary over time. All operating parameters, including "Typicals" must be validated for each customer application by customer's technical experts. ON Semiconductor does not convey any license under its patent rights nor the rights of others. ON Semiconductor products are not designed, intended, or authorized for use as a critical component in life support systems or any FDA Class 3 medical devices or medical devices with a same or similar classification in a foreign jurisdiction or any devices intended for implantation in the human body. Should Buyer purchase or use ON Semiconductor products for any such unintended or unauthorized application, Buyer shall indemnify and hold ON Semiconductor and its officers, employees, subsidiaries, affiliates, and distributors harmless against all claims, costs, damages, and expenses, and reasonable attorney fees arising out of, directly or indirectly, any claim of personal injury or death associated with such unintended or unauthorized use, even if such claim alleges that ON Semiconductor was negligent regarding the design or manufacture of the part. ON Semiconductor is an Equal Opportunity/Affirmative Action Employer. This literature is subject to all applicable copyright laws and is not for resale in any manner.

## PUBLICATION ORDERING INFORMATION

### LITERATURE FULFILLMENT:

Literature Distribution Center for ON Semiconductor  
19521 E. 32nd Pkwy, Aurora, Colorado 80011 USA  
**Phone:** 303-675-2175 or 800-344-3860 Toll Free USA/Canada  
**Fax:** 303-675-2176 or 800-344-3867 Toll Free USA/Canada  
**Email:** [orderlit@onsemi.com](mailto:orderlit@onsemi.com)

**N. American Technical Support:** 800-282-9855 Toll Free  
USA/Canada  
**Europe, Middle East and Africa Technical Support:**  
Phone: 421 33 790 2910  
**Japan Customer Focus Center**  
Phone: 81-3-5817-1050

**ON Semiconductor Website:** [www.onsemi.com](http://www.onsemi.com)  
**Order Literature:** <http://www.onsemi.com/orderlit>  
For additional information, please contact your local  
Sales Representative