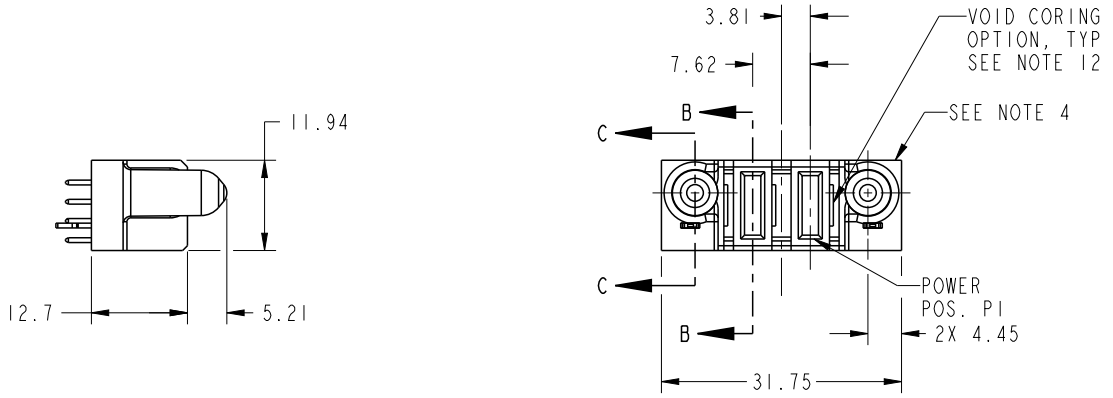




Copyright FCI.

PRODUCT NO. 51940-421-- NOTE: 3	POWER			
	E2	P2	P1	E1



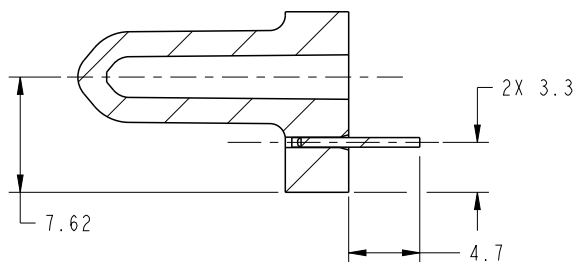
CODE	DIM "M" MATING LENGTH	CONTACT TYPE
PA	[1.07]	POWER
HA	[N/A]	HOLD-DOWN

spec ref	SEE NOTES			dr	Shi Guang	2012/02/09	projection 	MM ←→	size	A4	scale	1:1
tolerance std	TOLERANCES UNLESS OTHERWISE SPECIFIED			eng	Luo Weller	2013/06/08			ecn no	-		
SEE NOTES				chr	-	-			rel level	Released		
surface ✓ SEE NOTES	linear	0.X	±0.50	www.fci.com	title	2ACP VERTICAL SOLDER RECEPT	cat. no.	Product - Customer Drw	dwg no	51940-421	rev	A
		0.XX	±0.25									
	0.XXX	±0.10										
	angular	0°	±2°									

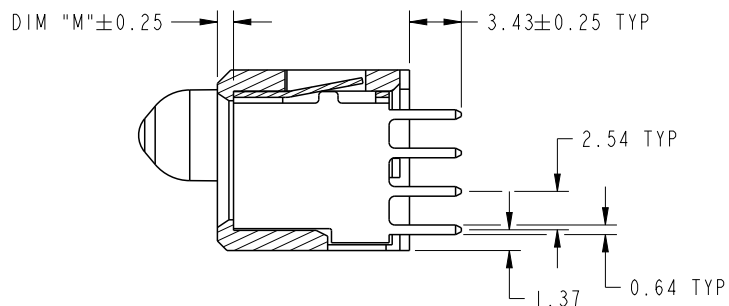
PrdE File - REV C - 2009-06-09

PRODUCT NUMBER

51940-421\_\_  
NOTE: 3



SECTION C-C  
SCALE 2:1



SECTION B-B  
SCALE 2:1

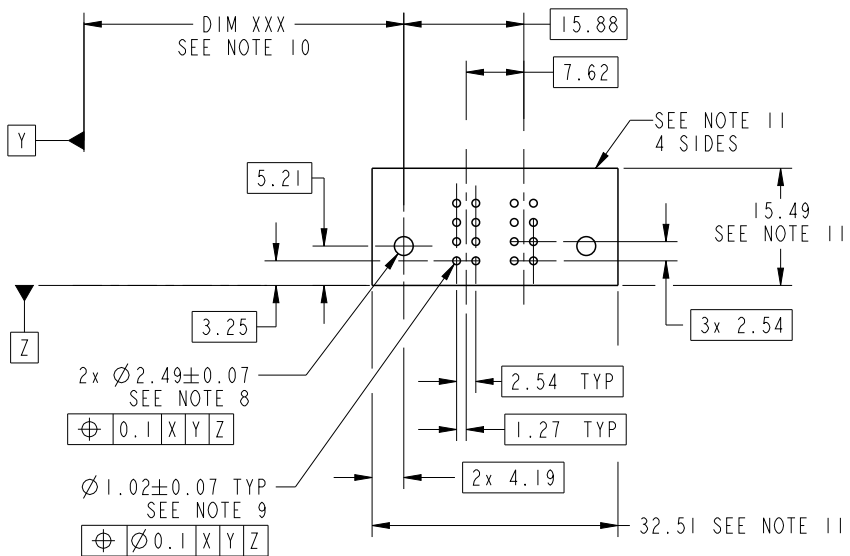


Copyright FCI.

dr	Shi Guang	2012/02/09	projection 	MM 	size	A4	scale	1:1	
eng	Luo Weller	2013/06/08			ecn no	-			
chr	-	-			rel level	Released			
appr	Pei-Ming Zheng	2013/06/08	product family	PwrBlade					
		title	2ACP VERTICAL SOLDER RECEPT		dwg no	51940-421		rev	A
www.fci.com		cat. no.	Product - Customer Drw			sheet 2 of 4			

PRODUCT NUMBER

51940-421\_\_  
NOTE: 3



RECOMMENDED PCB LAYOUT

dr	Shi Guang	2012/02/09	projection 	MM 	size	A4	scale	1:1
eng	Luo Weller	2013/06/08			ecn no	-		
chr	-	-			rel level	Released		
appr	Pei-Ming Zheng	2013/06/08	product family	PwrBlade	rev	A		
	title	2ACP VERTICAL SOLDER RECEPT		dwg no	51940-421			
www.fci.com	cat. no.	Product - Customer Drw			sheet 3 of 4			

PRODUCT NUMBER

51940-421\_\_  
NOTE: 3

NOTES:

1. DIMENSIONS AND TOLERANCES ARE IN ACCORDANCE WITH ASME Y14.5M, 1994 UNLESS OTHERWISE SPECIFIED.

CONNECTOR NOTES:

- ② HOUSING MATERIAL: UL 94 V-0 GLASS FILLED HIGH-TEMP THERMOPLASTIC  
POWER CONTACT MATERIAL: COPPER ALLOY  
SIGNAL PIN MATERIAL: COPPER ALLOY
- 3. SEE ITEM 5 & 6 IN PRINT 10064183 FOR PLATING SPEC OF 51940-421 AND 51940-421LF RESPECTIVELY.
- ④ MANUFACTURER'S NAME, P/N, AND DATE CODE TO APPEAR ON THIS SURFACE.
- 5. PRODUCT SPECIFICATION GS-12-149.  
APPLICATION SPECIFICATION BUS-20-067.
- 6. PACKAGED IN TRAYS.

PCB NOTES:

- 7. ALL HOLE DIAMETERS ARE FINISHED HOLE SIZE.
- ⑧ MOUNTING HOLES, WHERE APPLICABLE, ARE UNPLATED.
- ⑨  $\varnothing 1.151 \pm 0.025$  DRILLED HOLES PLATED WITH  
0.008 MIN SnPb OR Sn OVER 0.03  
TO 0.08 Cu PLATING TO ACHIEVE  
 $\varnothing 1.02 \pm 0.07$  HOLE.
- ⑩ "DIM XXX" TO BE DETERMINED BY THE CUSTOMER.
- ⑪ CONNECTOR KEEP-OUT ZONE.
- 12. THE VOID CORING IN BETWEEN POWER MODULES, SIGNAL MODULES AND END MODULES ARE OPTIONAL AND THE SHAPE MAY BE DIFFERENT FOR OPTIMIZE THE MOLDING PROCESS. THE VOID CORING WILL NOT EFFECT TO PRODUCT FUNCTION.



Copyright FCI.

dr	Shi Guang	2012/02/09	projection 	MM 	size	A4	scale	1:1
eng	Luo Weller	2013/06/08			ecn no	-		
chr	-	-						
appr	Pei-Ming Zheng	2013/06/08	product family	PwrBlade	rel level	Released		
	title	2ACP VERTICAL SOLDER RECEPT		dwg no	51940-421		rev	A
www.fci.com	cat. no.	Product - Customer Drw			sheet 4 of 4			