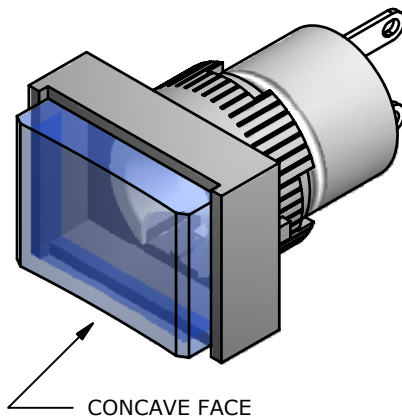
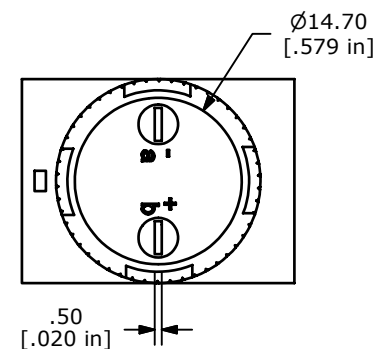
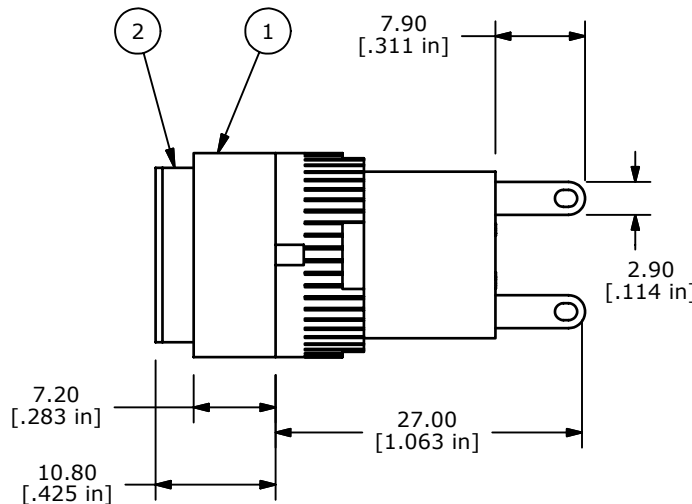
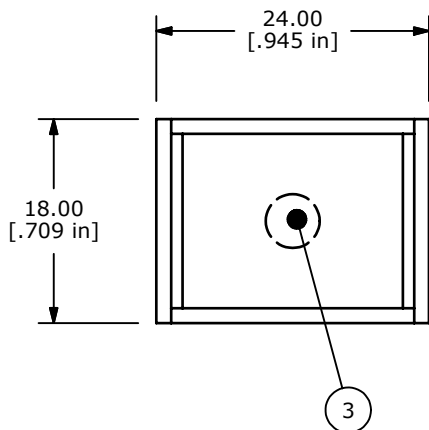
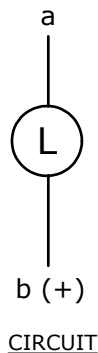


RECOMMENDED PANEL MOUNTING



PARTS LIST			
ITEM	QTY	PART NUMBER	DESCRIPTION
1	1	F040001	L16PLT10
2	1	F050201	50-002-01 RECTANGULAR CONCAVE BLUE LENS
3	1	F050403	50-004-03 14V 40mA INCANDESCENT LAMP



- NOTE:
1. ALL DIMENSIONS IN MM [INCH]
  2. GENERAL TOLERANCE: X.X=±0.4  
X.XX=±0.25
  3. TERMINAL NUMBERS FOR REF ONLY
  4. OPERATING TEMP: -25°C to +55°C
  5. STORAGE TEMP: -40°C TO +85°C
  - ▲ 6. LAMP VOLTAGE: 14V 40 mA INCANDESCENT
  7. ▲ DENOTES CRITICAL PARAMETER.
  8. 2002/95/EC (ROHS) COMPLIANT

**E-SWITCH®**

B	17923	REDRAWN, CORRECT TITLE	1/15/08	BLR
A	11561	RELEASED FOR PRODUCTION	7/6/01	BLR
REV	PCR NO	DESCRIPTION	DATE	BY

TITLE L16PLT10NBLU				
SCALE	DATE	DR	DWG	REV
1.5:1	1/15/2008	BLR	XF0170P	B

THE INFORMATION CONTAINED IN THIS DOCUMENT IS PROPRIETARY TO E-SWITCH AND IS NOT TO BE COPIED OR TRANSFERRED