

Evaluation Board for the ADM3051 CAN Transceiver

FEATURES

- Easy evaluation of the [ADM3051](#) controller area network (CAN) transceiver
- Convenient connections for power and logic signals through screw terminal blocks
- Screw terminal block for bus cable signals and shield
- Test points for measuring all signals
- Configure operating mode using jumper connection
 - High speed
 - Slope control
 - Standby
- Slope control resistor of 47 k Ω fitted by default
- Termination resistors ($2 \times 30 \Omega$) with common-mode filter

EVALUATION KIT CONTENTS

EVAL-ADM3051EBZ

GENERAL DESCRIPTION

The EVAL-ADM3051EBZ allows quick and easy evaluation of the [ADM3051](#) CAN transceiver. The evaluation board allows all of the input and output functions to be exercised without the need for external components. Screw terminal blocks provide convenient connections for logic signals and power.

The main device on the evaluation board, the [ADM3051](#), is a controller area network (CAN) physical layer transceiver, allowing a protocol layer CAN controller to access the physical layer bus. The [ADM3051](#) complies with the ISO 11898 standard. It is capable of running at data rates of up to 1 Mbps.

For evaluation with a bus cable, a screw terminal block is provided to allow connection of CANH and CANL signals and connection of the cable shield.

EVAL-ADM3051EBZ



Figure 1.

The operating mode of the [ADM3051](#) can be selected by jumper configuration. Three operating modes are available: high speed, slope control, and standby. Selecting standby mode connects Pin 8 (RS) of the [ADM3051](#) to V_{CC} , placing the device in a low current standby mode. Selecting slope control mode limits EMI by connecting RS with a 47 k Ω resistor to ground to modify the rise and fall of slopes. This mode facilitates the use of unshielded cables. Alternatively, selecting high speed mode disables slope control by connecting RS to ground, allowing high speed operation. Shielded cables or other measures to control EMI are necessary in this mode.

TABLE OF CONTENTS

Features	1	Operating Modes.....	3
Evaluation Kit Contents.....	1	Evaluation.....	3
EVAL-ADM3051EBZ.....	1	Evaluation Board Schematic and Layout.....	4
General Description	1	Ordering Information.....	6
Revision History	2	Bill of Materials.....	6
Evaluation Board Configuration	3	Related Links.....	6
Setting Up the Evaluation Board	3		

REVISION HISTORY

11/11—Revision 0: Initial Version

EVALUATION BOARD CONFIGURATION

SETTING UP THE EVALUATION BOARD

The EVAL-ADM3051EBZ allows the ADM3051 CAN transceiver to be evaluated quickly and easily. The evaluation board allows all of the input and output functions to be exercised without the need for external components.

On the EVAL-ADM3051EBZ, the power is connected to VCC. A 22 μ F decoupling capacitor, C1, is fitted between VCC and GND at the J1 board connector, and a 100 nF capacitor (C2 in Figure 4) is fitted at the ADM3051 device. With the default 60 Ω load installed, the typical supply current (I_{CC}) is as follows:

- Recessive state: 5 mA
- Clock at 1 Mbps: 40 mA
- Clock at 250 kbps (slope control mode): 34 mA

In standby, with the bus in a recessive state, typical I_{CC} is <1 mA.

OPERATING MODES

The LK3 jumper can be used to select the operating mode of the ADM3051 device. One of three modes can be selected:

- Position A: standby mode
- Position B: high speed mode
- Position C: slope control mode

Standby Mode

Selecting Position A on LK3 connects Pin 8 (RS) of the ADM3051 to VCC, placing the device in standby mode. This is a low current mode where the driver is disabled. The receiver is slower in standby mode.

High Speed Mode

Selecting Position B on LK3 connects Pin 8 (RS) of the ADM3051 to GND, placing the device in high speed mode. This allows operation at the maximum data rate (1 Mbps). Due to fast transitions on the rising and falling edge of the output signal, a shielded cable is generally required to control EMI.

Slope Control Mode

Selecting Position C on LK3 connects Pin 8 (RS) of the ADM3051 to Resistor RS1 (default 47 k Ω installed). This places the device in slope control mode, where the edges of the output signal are controlled to reduce EMI. The maximum data rate possible is reduced in this mode.

EVALUATION

An example operation of the EVAL-ADM3051EBZ is shown in Figure 2. Ensure that LK3 is in Position B (high speed mode). Connect a clock generator on TxD and set up a 500 kHz square wave clock with output swing between 0 V and 5 V. Connect the scope probes to the CANH and CANL test points. A plot of the oscilloscope for TxD, RxD, CANH, and CANL is shown in Figure 3. Channel 1 shows the TxD signal, Channel 4 shows the RxD signal, and Channel 2 and Channel 3 show the CANH and CANL signals, respectively.

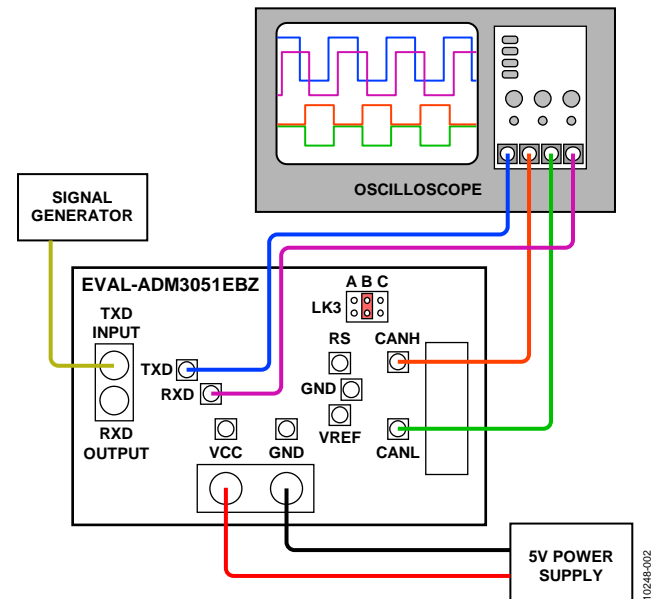


Figure 2. Basic ADM3051 CAN Transceiver Evaluation Board Operation

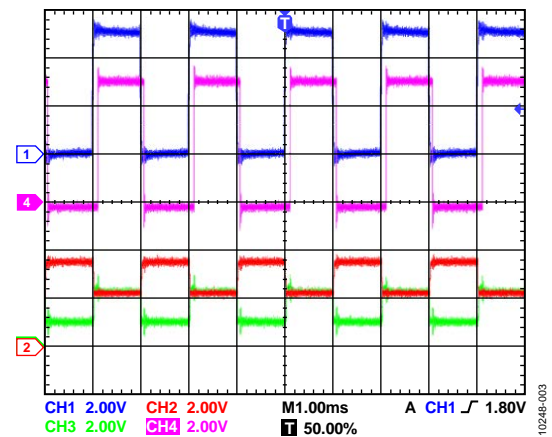


Figure 3. TxD, RxD, CANH, and CANL Signals (High Speed Mode)

EVALUATION BOARD SCHEMATIC AND LAYOUT

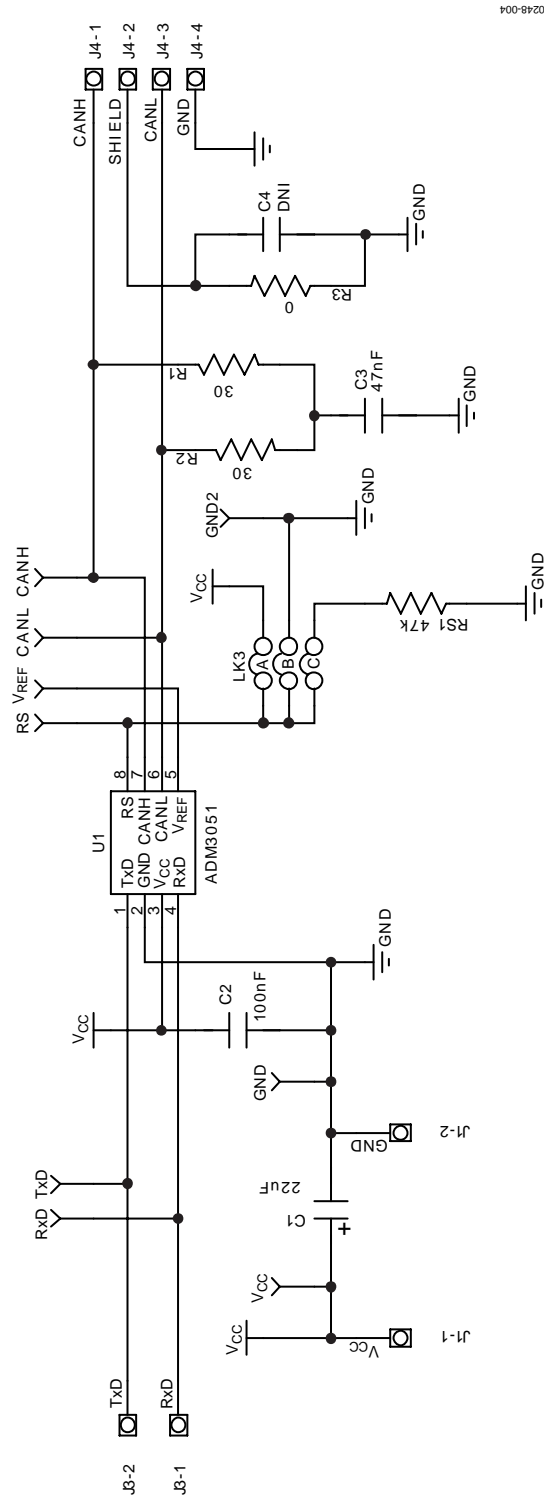


Figure 4. EVAL-ADM3051EBZ Schematic

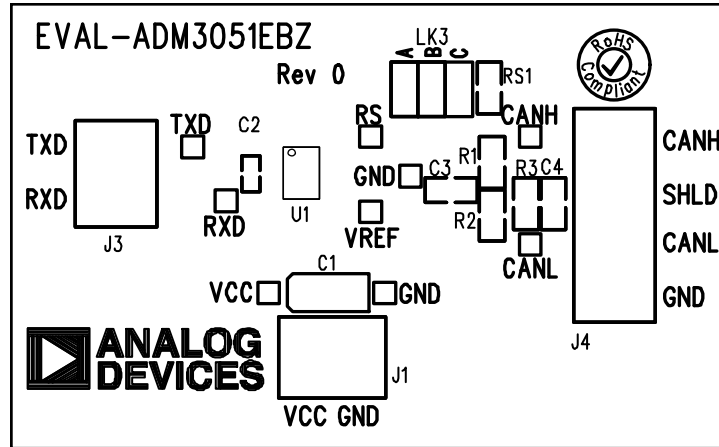


Figure 5. EVAL-ADM3051EBZ Silkscreen

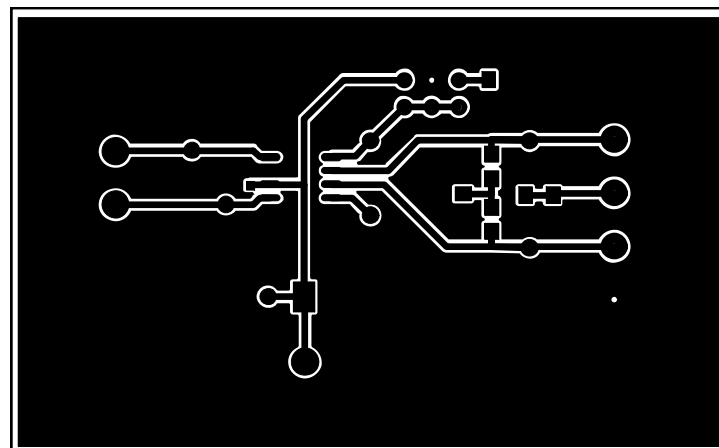


Figure 6. EVAL-ADM3051EBZ Component Side

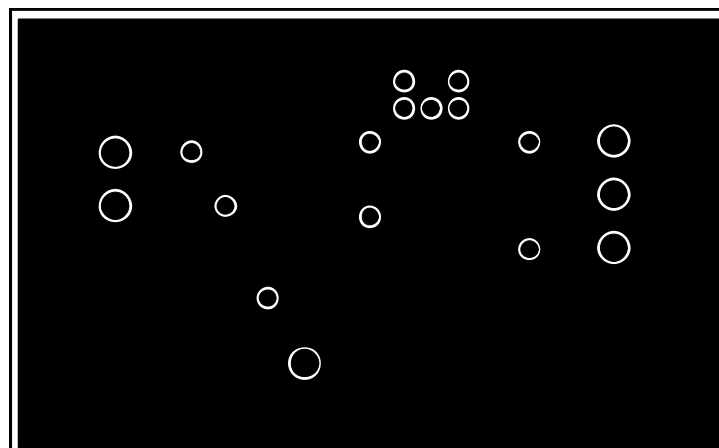


Figure 7. EVAL-ADM3051EBZ Solder Side

ORDERING INFORMATION**BILL OF MATERIALS**

Table 1.

Quantity	Reference Designator	Description	Supplier/Part Number
1	C1	Tantalum capacitor, 22 μ F, TAJ_C	AVX Corporation/TAJC226K016RNJ
1	C2	Capacitor, 100 nF, 0603	AVX Corporation/06033C104JAT2A
1	C3	Capacitor, 47 nF, 0805	Multicomp/MCCA000270
1	C4	DNI	N/A
1	CANH, TXD, VREF	Test point	Vero Technologies/20-313140
3	CANL, RS, RXD	Test point	Vero Technologies/20-313138
2	GND	Test point	Vero Technologies/20-2137
1	J1, J3	Connector\POWER	Camden Electronics/CTB5000/2
1	J4	Connector\POWER4	Camden Electronics/CTB5000/4
1	R1, R2	Resistor, 30 Ω , 0805	Multicomp/MCPWR05FTFW0300
1	R3	Resistor, 0 Ω , 0805	Vishay Draloric/CRCW08050000Z0EA
2	RS1	Resistor, 47 k Ω , 0805	Multicomp/MC 0.1W 0805 5% 47K
1	U1	8-lead SOIC	Analog Devices/ADM3051CRZ

RELATED LINKS

Resource	Description
ADM3051	Product Page, High Speed Industrial CAN Transceiver with Bus Protection for 24 V Systems

NOTES

NOTES

**ESD Caution**

ESD (electrostatic discharge) sensitive device. Charged devices and circuit boards can discharge without detection. Although this product features patented or proprietary protection circuitry, damage may occur on devices subjected to high energy ESD. Therefore, proper ESD precautions should be taken to avoid performance degradation or loss of functionality.

Legal Terms and Conditions

By using the evaluation board discussed herein (together with any tools, components documentation or support materials, the "Evaluation Board"), you are agreeing to be bound by the terms and conditions set forth below ("Agreement") unless you have purchased the Evaluation Board, in which case the Analog Devices Standard Terms and Conditions of Sale shall govern. Do not use the Evaluation Board until you have read and agreed to the Agreement. Your use of the Evaluation Board shall signify your acceptance of the Agreement. This Agreement is made by and between you ("Customer") and Analog Devices, Inc. ("ADI"), with its principal place of business at One Technology Way, Norwood, MA 02062, USA. Subject to the terms and conditions of the Agreement, ADI hereby grants to Customer a free, limited, personal, temporary, non-exclusive, non-sublicensable, non-transferable license to use the Evaluation Board FOR EVALUATION PURPOSES ONLY. Customer understands and agrees that the Evaluation Board is provided for the sole and exclusive purpose referenced above, and agrees not to use the Evaluation Board for any other purpose. Furthermore, the license granted is expressly made subject to the following additional limitations: Customer shall not (i) rent, lease, display, sell, transfer, assign, sublicense, or distribute the Evaluation Board; and (ii) permit any Third Party to access the Evaluation Board. As used herein, the term "Third Party" includes any entity other than ADI, Customer, their employees, affiliates and in-house consultants. The Evaluation Board is NOT sold to Customer; all rights not expressly granted herein, including ownership of the Evaluation Board, are reserved by ADI. CONFIDENTIALITY. This Agreement and the Evaluation Board shall all be considered the confidential and proprietary information of ADI. Customer may not disclose or transfer any portion of the Evaluation Board to any other party for any reason. Upon discontinuation of use of the Evaluation Board or termination of this Agreement, Customer agrees to promptly return the Evaluation Board to ADI. ADDITIONAL RESTRICTIONS. Customer may not disassemble, decompile or reverse engineer chips on the Evaluation Board. Customer shall inform ADI of any occurred damages or any modifications or alterations it makes to the Evaluation Board, including but not limited to soldering or any other activity that affects the material content of the Evaluation Board. Modifications to the Evaluation Board must comply with applicable law, including but not limited to the RoHS Directive. TERMINATION. ADI may terminate this Agreement at any time upon giving written notice to Customer. Customer agrees to return to ADI the Evaluation Board at that time. LIMITATION OF LIABILITY. THE EVALUATION BOARD PROVIDED HEREUNDER IS PROVIDED "AS IS" AND ADI MAKES NO WARRANTIES OR REPRESENTATIONS OF ANY KIND WITH RESPECT TO IT. ADI SPECIFICALLY DISCLAIMS ANY REPRESENTATIONS, ENDORSEMENTS, GUARANTEES, OR WARRANTIES, EXPRESS OR IMPLIED, RELATED TO THE EVALUATION BOARD INCLUDING, BUT NOT LIMITED TO, THE IMPLIED WARRANTY OF MERCHANTABILITY, TITLE, FITNESS FOR A PARTICULAR PURPOSE OR NON-INFRINGEMENT OF INTELLECTUAL PROPERTY RIGHTS. IN NO EVENT WILL ADI AND ITS LICENSORS BE LIABLE FOR ANY INCIDENTAL, SPECIAL, INDIRECT, OR CONSEQUENTIAL DAMAGES RESULTING FROM CUSTOMER'S POSSESSION OR USE OF THE EVALUATION BOARD, INCLUDING BUT NOT LIMITED TO LOST PROFITS, DELAY COSTS, LABOR COSTS OR LOSS OF GOODWILL. ADI'S TOTAL LIABILITY FROM ANY AND ALL CAUSES SHALL BE LIMITED TO THE AMOUNT OF ONE HUNDRED US DOLLARS (\$100.00). EXPORT. Customer agrees that it will not directly or indirectly export the Evaluation Board to another country, and that it will comply with all applicable United States federal laws and regulations relating to exports. GOVERNING LAW. This Agreement shall be governed by and construed in accordance with the substantive laws of the Commonwealth of Massachusetts (excluding conflict of law rules). Any legal action regarding this Agreement will be heard in the state or federal courts having jurisdiction in Suffolk County, Massachusetts, and Customer hereby submits to the personal jurisdiction and venue of such courts. The United Nations Convention on Contracts for the International Sale of Goods shall not apply to this Agreement and is expressly disclaimed.