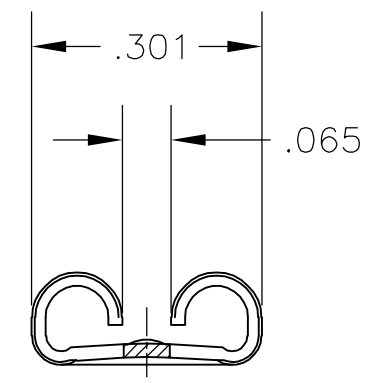
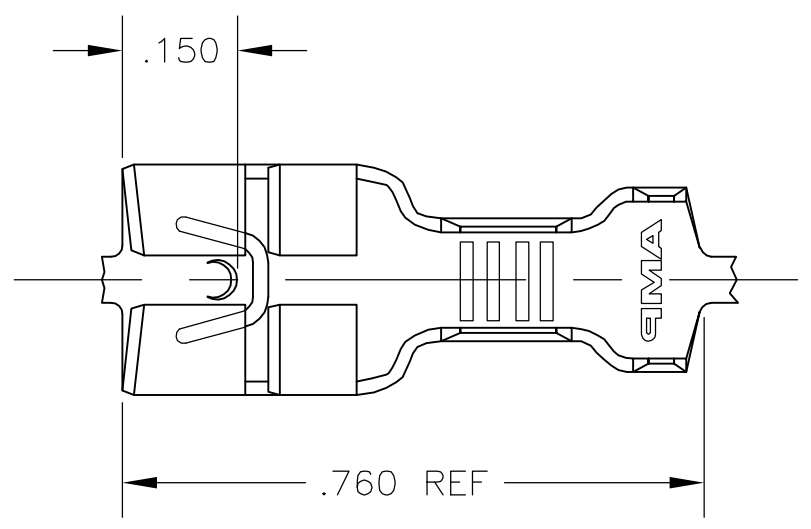


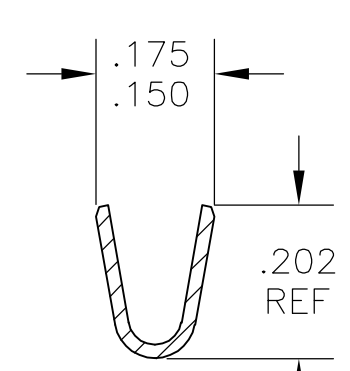
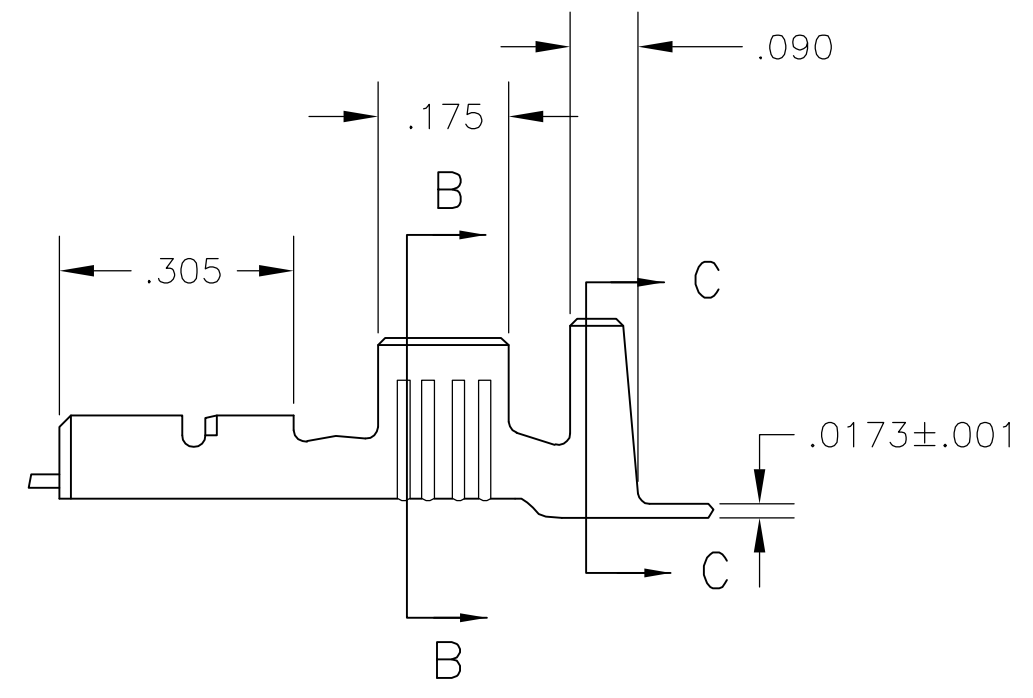
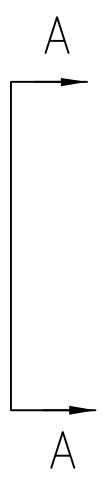
THIS DRAWING IS UNPUBLISHED. RELEASED FOR PUBLICATION  
 © COPYRIGHT BY TYCO ELECTRONICS CORPORATION. ALL RIGHTS RESERVED.

LOC	DIST	REVISIONS			
P	LTR	DESCRIPTION	DATE	DWN	APVD
AF	50	A1	REV PER ECR 06-005839	17MAR06	HMR PD

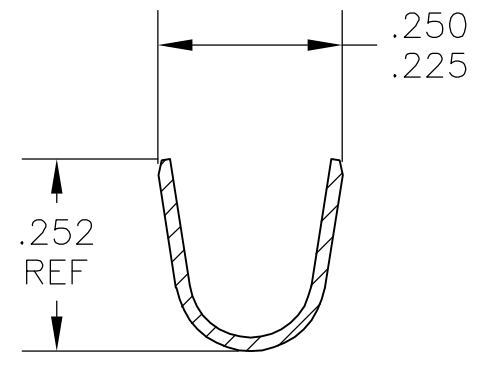
- 1 CONTINUOUS STRIP ON REELS
- 2 MATING TAB THK IS  $.036 \pm .001$
- 3 WIRE SIZE IS #14-#10 AWG
- 4 INSULATION RANGE IS  $.130-.180$  DIA



VIEW A-A



SECT B-B



SECT C-C

1742399-1  
 PART NO.

THIS DRAWING IS A CONTROLLED DOCUMENT.		DWN JR RUTH 26JAN06	Tyco Electronics Corporation Harrisburg, PA 17105-3608			
DIMENSIONS: INCHES		CHK P DESANTIS 26JAN06				
		APVD P DESANTIS 26JAN06	NAME			
TOLERANCES UNLESS OTHERWISE SPECIFIED:		PRODUCT SPEC	250 SERIES FASTON RECEPTACLE			
0 PLC ± -		APPLICATION SPEC	SIZE	CAGE CODE	DRAWING NO	RESTRICTED TO
1 PLC ± -		—	A3 00779 C-1742399			—
2 PLC ± -		—	CUSTOMER DRAWING			
3 PLC ± .010		—	SCALE	SHEET	REV	
4 PLC ± -		—	4:1	1 OF 1	A1	
ANGLES ± -		—				
MATERIAL T4M BRASS		FINISH .000150 MIN SILVER				