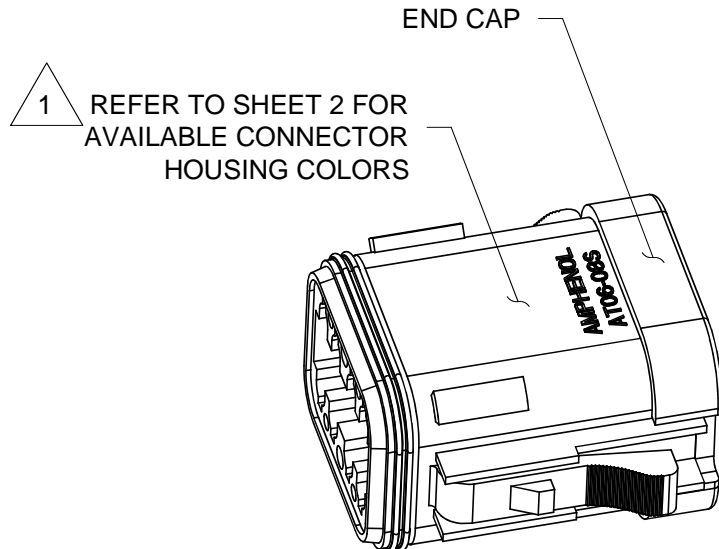
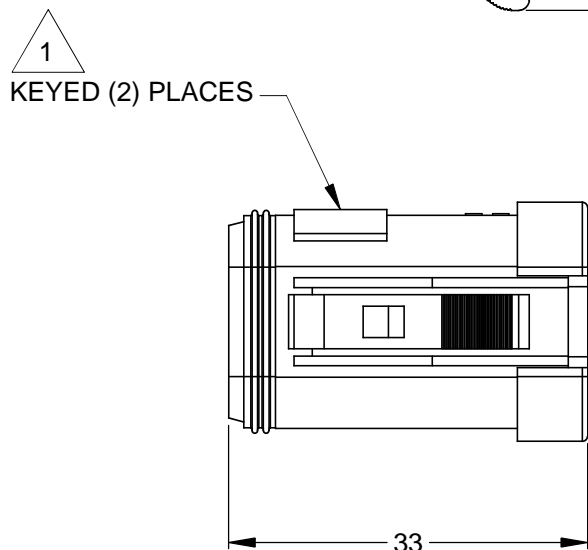
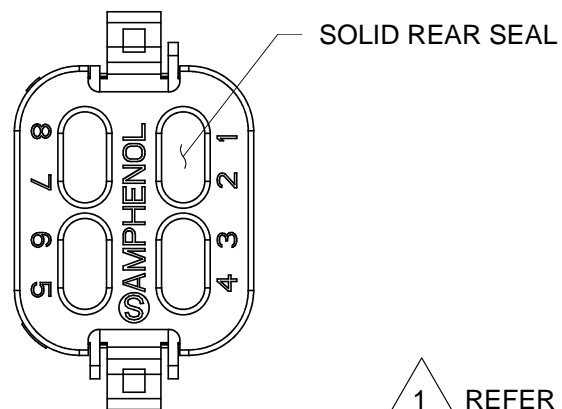
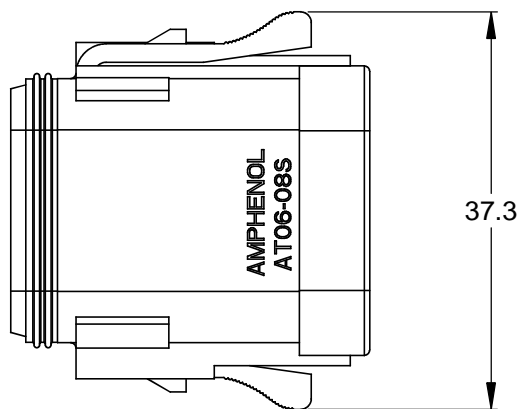
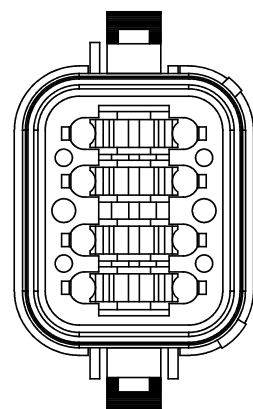


| REVISIONS |     |                        |           |       |      |
|-----------|-----|------------------------|-----------|-------|------|
| REV       | ECO | DESCRIPTION            | DATE      | BY    | APPR |
| A3        | -   | RELEASE NEW DWG FORMAT | 03/JAN/14 | ORION | -    |



1 REFER TO SHEET 2 FOR AVAILABLE CONNECTOR HOUSING COLORS

NOTES: UNLESS OTHERWISE SPECIFIED

1 SEE SHEET 2 FOR KEY ARRANGEMENTS AND COLORS.

2. MATERIAL:  
HOUSING: THERMOPLASTIC  
SEAL: SILICONE RUBBER

3. MODIFICATIONS: SOLID REAR SEAL; END CAP

4. SPECIFICATIONS:  
4.1 CURRENT RATING: 13 AMPS  
4.2 OPERATING TEMPERATURE: -55°C TO +125°C  
4.3 DIELECTRIC WITHSTANDING VOLTAGE: LESS THAN 2 MILLIAMPS CURRENT LEAKAGE @ 1500 VOLTS AC.  
4.4 INSULATION RESISTANCE: 1000 MEGOHMS MIN @ 25°C.  
4.5 MOISTURE RESISTANCE: IP67 ( MATED CONDITION )  
4.6 MATING CYCLE DURABILITY: 100 CYCLES  
4.7 RoHS COMPLIANT

5. MATING PART: AT04-08PX\* RECEPTACLE  
( X = A,B,C,D KEYS; \* = MODIFICATIONS AND COLORS )

6. ALL DIMENSIONS ARE FOR REFERENCE USE ONLY.

TITLE: PLUG, 8 SOCKET, AT SERIES, KEYED, SOLID REAR SEAL, END CAP  
DWG NO.: AT06-08SX-SS01  
REV: A3  
SH: 1  
OF: 2

| SEE PART NUMBER CHART  |             | DESCRIPTION  |                                   | ITEM                  |
|--|-------------|--|-----------------------------------|-----------------------|
| QUANTITY   | PART NUMBER | MATERIALS LIST   |                                   |                       |
| UNLESS OTHERWISE SPECIFIED<br>1) All dimensions are in metric (mm).<br>2) Tolerances are as follows:<br>1 PL DEC ±0.30<br>2 PL DEC ±0.15<br>3 PL DEC ±0.08<br>Fractions ±1/64<br>Angles ±1°<br>3) Note reference = X |             | SIGNATURES<br>DRAWN: ORION.LI<br>CHECKED:<br>ENGINEER:<br>APPROVAL:  | DATE<br>03/JAN/14                 |                       |
| MATERIAL SPECIFICATIONS:   |             | CUSTOMER:  |                                   |                       |
| PROCESS SPECIFICATIONS:  |             | THIS DRAWING IS SUPPLIED FOR INFORMATION ONLY. DESIGN FEATURES, SPECIFICATIONS AND PERFORMANCE DATA SHOWN HEREON ARE THE PROPERTY OF THE AMPHENOL CORPORATION. NO RIGHTS OF REPRODUCTION ARE IMPLIED. ALL DIMENSIONS ARE SUBJECT TO NORMAL MANUFACTURING VARIATIONS. |                                   |                       |
| NEXT ASSY:   |             | SIZE<br><b>B C-</b>  | DWG NO.<br><b>AT06-08SX-SSXXX</b> | REVISION<br><b>A3</b> |
|  |             | SCALE<br><b>NONE</b>   | SHEET <b>1</b> OF <b>2</b>        |                       |

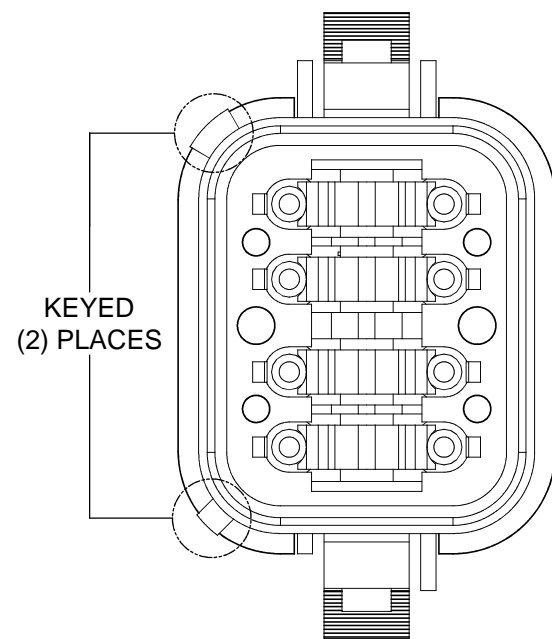
**Amphenol**

Sine Systems - www.amphenol-sine.com  
44724 Morley Drive  
Clinton Township, MI 48036

**PLUG, 8 SOCKET, AT SERIES, KEYED,  
SOLID REAR SEAL, END CAP**

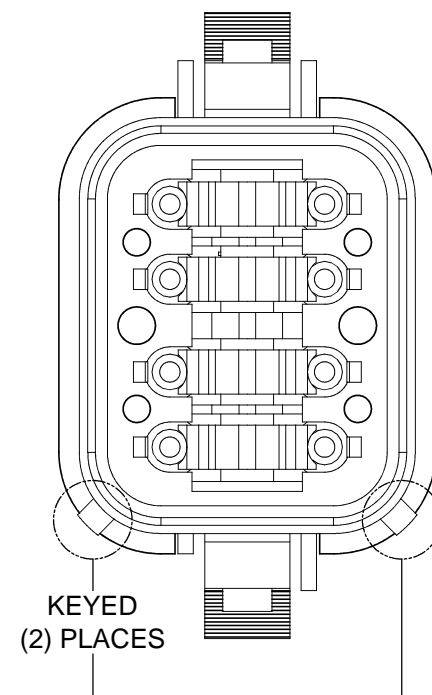
| REVISIONS |     |             |      |    |      |
|-----------|-----|-------------|------|----|------|
| REV       | ECO | DESCRIPTION | DATE | BY | APPR |

P/N AT06-08SA-SS01  
KEY-A CONFIGURATION  
STANDARD COLOR: GREY



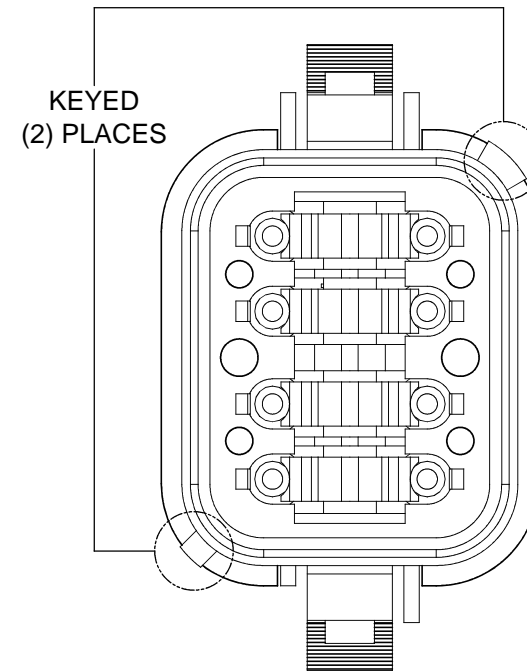
| KEY-A CONFIGURATION |                       |
|---------------------|-----------------------|
| COLOR               | PART NUMBER           |
| <b>* GREY</b>       | <b>AT06-08SA-SS01</b> |
| BLACK               | AT06-08SA-SSBLK       |
| GREEN               | AT06-08SA-SSGRN       |
| BROWN               | AT06-08SA-SSBRN       |

P/N AT06-08SB-SS01  
KEY-B CONFIGURATION  
STANDARD COLOR: BLACK



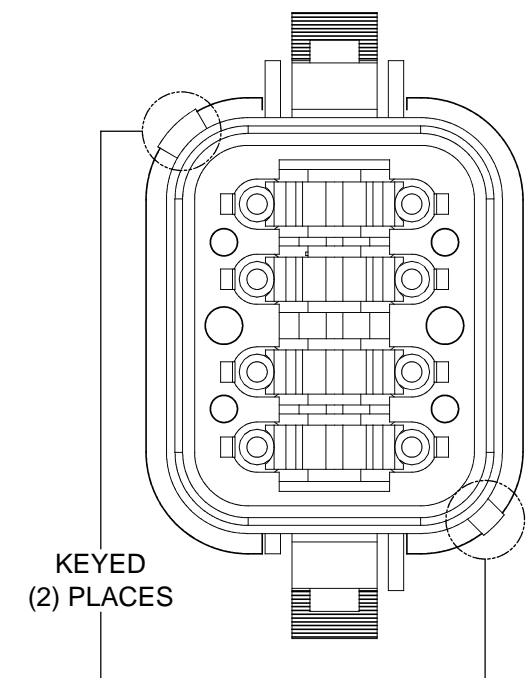
| KEY-B CONFIGURATION |                       |
|---------------------|-----------------------|
| COLOR               | PART NUMBER           |
| GREY                | AT06-08SB-SSGRY       |
| <b>* BLACK</b>      | <b>AT06-08SB-SS01</b> |
| GREEN               | AT06-08SB-SSGRN       |
| BROWN               | AT06-08SB-SSBRN       |

P/N AT06-08SC-SS01  
KEY-C CONFIGURATION  
STANDARD COLOR: GREEN



| KEY-C CONFIGURATION |                       |
|---------------------|-----------------------|
| COLOR               | PART NUMBER           |
| GREY                | AT06-08SC-SSGRY       |
| BLACK               | AT06-08SC-SSBLK       |
| <b>* GREEN</b>      | <b>AT06-08SC-SS01</b> |
| BROWN               | AT06-08SC-SSBRN       |

P/N AT06-08SD-SS01  
KEY-D CONFIGURATION  
STANDARD COLOR: BROWN



| KEY-D CONFIGURATION |                       |
|---------------------|-----------------------|
| COLOR               | PART NUMBER           |
| GREY                | AT06-08SD-SSGRY       |
| BLACK               | AT06-08SD-SSBLK       |
| GREEN               | AT06-08SD-SSGRN       |
| <b>* BROWN</b>      | <b>AT06-08SD-SS01</b> |

NOTE:

AN ASTERISKS ( \* ) PLACED BEFORE THE COLOR DENOTES THE STANDARD MOLDED COLOR OF THE CONNECTORS SHOWN ABOVE.

OTHER COLORS SHOWN ARE AVAILABLE VIA SPECIAL ORDER.

TITLE: PLUG, 8 SOCKET, AT SERIES, KEYED, SOLID REAR SEAL, END CAP  
DWG NO.: AT06-08SX-SS01  
REV: A3  
SH: 2  
OF: 2

| QUANTITY   | PART NUMBER | DESCRIPTION  | ITEM                |
|--|-------------|--|---------------------|
| <b>MATERIALS LIST</b>  |             |  |                     |
| UNLESS OTHERWISE SPECIFIED<br>1) All dimensions are in metric(mm).<br>2) Tolerances are as follows:<br>1 PL DEC ±0.30<br>2 PL DEC ±0.15<br>3 PL DEC ±0.08<br>3) Note reference = |             | SIGNATURES      DATE<br>DRAWN: ORION.LI      03/JAN/14<br>CHECKED:<br>ENGINEER:<br>APPROVAL:   |                     |
| MATERIAL SPECIFICATIONS:   |             | CUSTOMER:  |                     |
| PROCESS SPECIFICATIONS:  |             | THIS DRAWING IS SUPPLIED FOR INFORMATION ONLY. DESIGN FEATURES, SPECIFICATIONS AND PERFORMANCE DATA SHOWN HEREON ARE THE PROPERTY OF THE AMPHENOL CORPORATION. NO RIGHTS OF REPRODUCTION ARE IMPLIED. ALL DIMENSIONS ARE SUBJECT TO NORMAL MANUFACTURING VARIATIONS. |                     |
| NEXT ASSY:   |             | SCALE: NONE  |                     |
|  |             | <b>Amphenol</b><br>Sine Systems - www.amphenol-sine.com<br>44724 Morley Drive<br>Clinton Township, MI 48036  |                     |
|  |             | <b>PLUG, 8 SOCKET, AT SERIES, KEYED, SOLID REAR SEAL, END CAP</b>  |                     |
|  |             | SIZE: <b>B C-</b>  | REVISION: <b>A3</b> |
|  |             | DWG NO.: <b>AT06-08SX-SSXXX</b>  |                     |
|  |             | SHEET <b>2</b> OF <b>2</b>   |                     |