

Probe holders and electrode S7 Part number 79696043



- Level control accessories

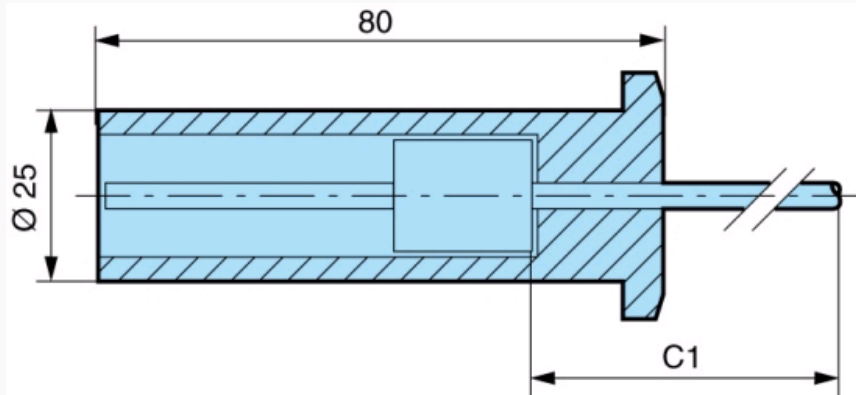
Part numbers

	Type	Accessories	Operating temperature (°C)	Pressure
79 696 043	S7	Protected electrode for mounting by suspension. Protective shell : PUC (S7) Electrode : stainless steel Length of cable as requested (ref. C1) : 79 696 001	80	Max 15 Kg/cm ²

Specifications

Dimensions (mm)

79 696 043 - S7



Protected electrode for mounting by suspension. Protective shell : PUC (S7) Electrode : stainless steel. Length of cable as requested (C1) : 79 696 001