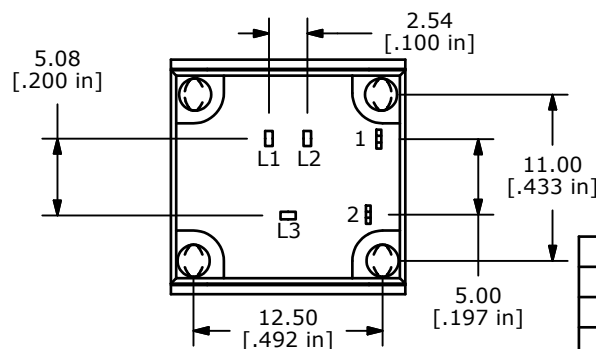
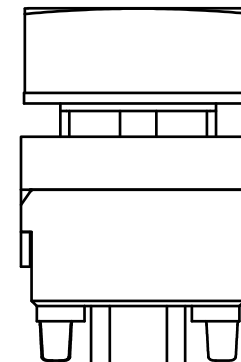
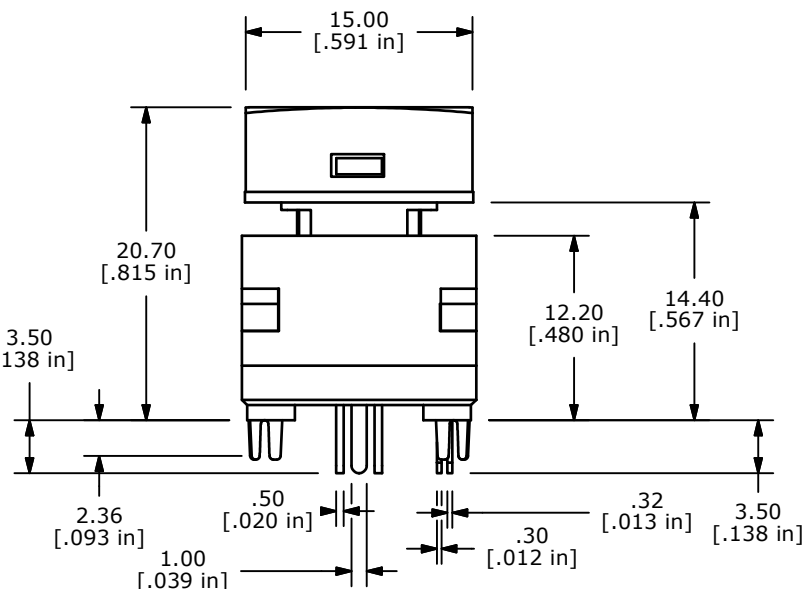
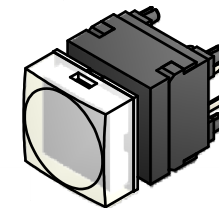
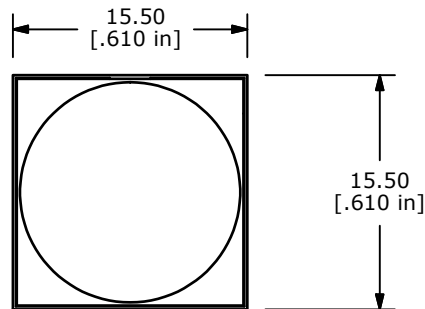
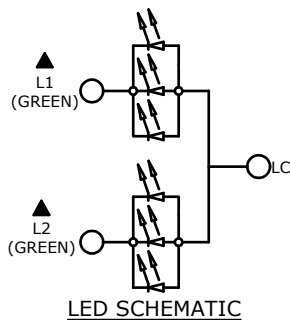


▲ **CIRCUIT: SPST**



- NOTES:
1. ALL DIMENSIONS IN MM [INCH]
  2. GENERAL TOLERANCE: X.X=± 0.4  
X.XX=± 0.25
  3. TERM. NOS. FOR REFERENCE ONLY.
  4. RATING: 12VDC, 12mA; SPST
  5. CONTACT MATERIAL: GOLD
  6. CONTACT RESISTANCE: 50 MILLI-OHM MAX.
  7. INSULATION RESISTANCE: 500VDC, 100 MEGA-OHM MIN.
  - ▲8. OPERATING FORCE: 150± 100GF
  9. OPERATING LIFE: 200,000 CYCLES
  10. OPERATING TEMP: -20°C TO +70°C
  - ▲11. LED COLORS: GREEN, GREEN
  12. TRAVEL: 2.20mm±0.20
  13. 2002/95/EC (ROHS) COMPLIANT
  14. ▲DENOTES CRITICAL PARAMETER.

▲ LED SPECS	UNITS	GREEN	GREEN
FORWARD CURRENT	mA	25	25
FORWARD VOLTAGE @20mA	VDC	2.0	2.0
LUMINOUS INTENSITY @ 10mA	mcd	412	412



A	20375	New Release	01/03/12	BMA
REV	PCR NO	DESCRIPTION	DATE	BY

TITLE LP60A1ASGG				
SCALE	DATE	DR	DWG	REV
2=1	1/3/2012	BMA	B220010	A

THE INFORMATION CONTAINED IN THIS DOCUMENT IS PROPRIETARY TO E-SWITCH AND IS NOT TO BE COPIED OR TRANSFERRED