

Tous droits strictement réservés. Reproduction ou communication à des tiers interdite sous quelque forme que ce soit sans autorisation écrite du Propriétaire de c FCI. Droits de reproduction FCI.



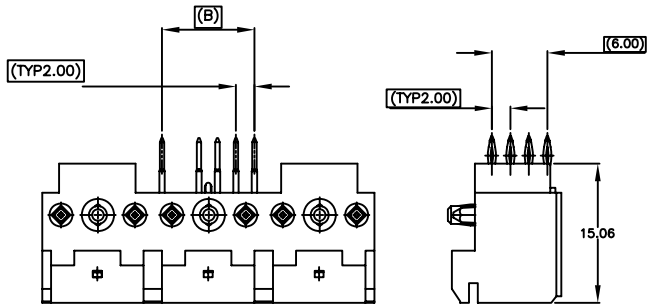
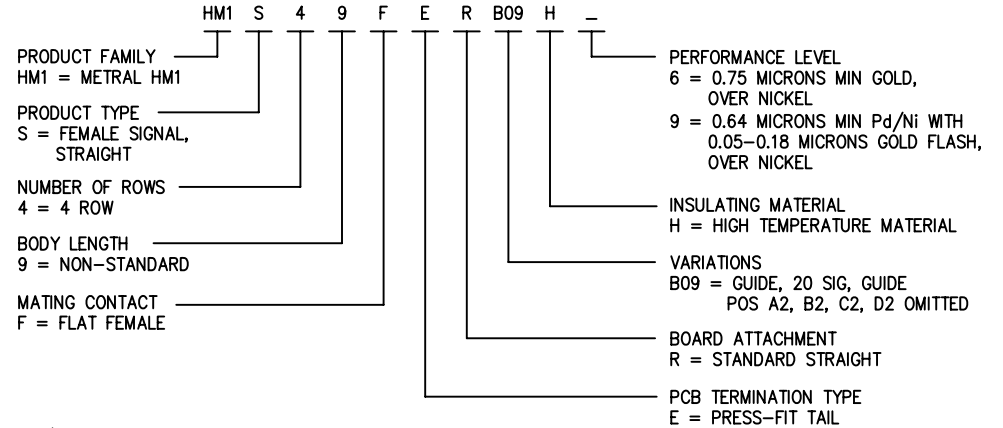
All rights strictly reserved. Reproduction or issue to third parties in any form whatever is not permitted without written authority from the proprietor. Property of FCI. Copyright FCI.

BILL OF MATERIAL

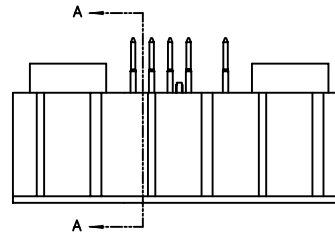
COMPLETE ASSY
CATALOG NO
HM1S49FERB09H9
HM1S49FERB09H6

ITEM	PART NO	DESCRIPTION	DRAWING	QNTY
A	8626-6084	4 ROW GUIDE 24 POS. GUIDE	PE96542	1
B	8626-2845S23	CONTACT PRESS FIT	PE96091	20
	8626-2845ZC			20

CATALOG NUMBER DESCRIPTION



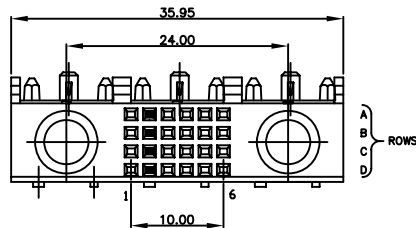
CATALOG NO. HM1S49FERB09H_ SHOWN



NOTES: UNLESS OTHERWISE SPECIFIED;

1 MARK PER DRAWING FD96005, COLOR-BLACK,

2 CONTACTS MUST WITHSTAND AN AXIAL LOAD OF 5N MIN IN DIRECTION SHOWN.



CONFIDENTIAL

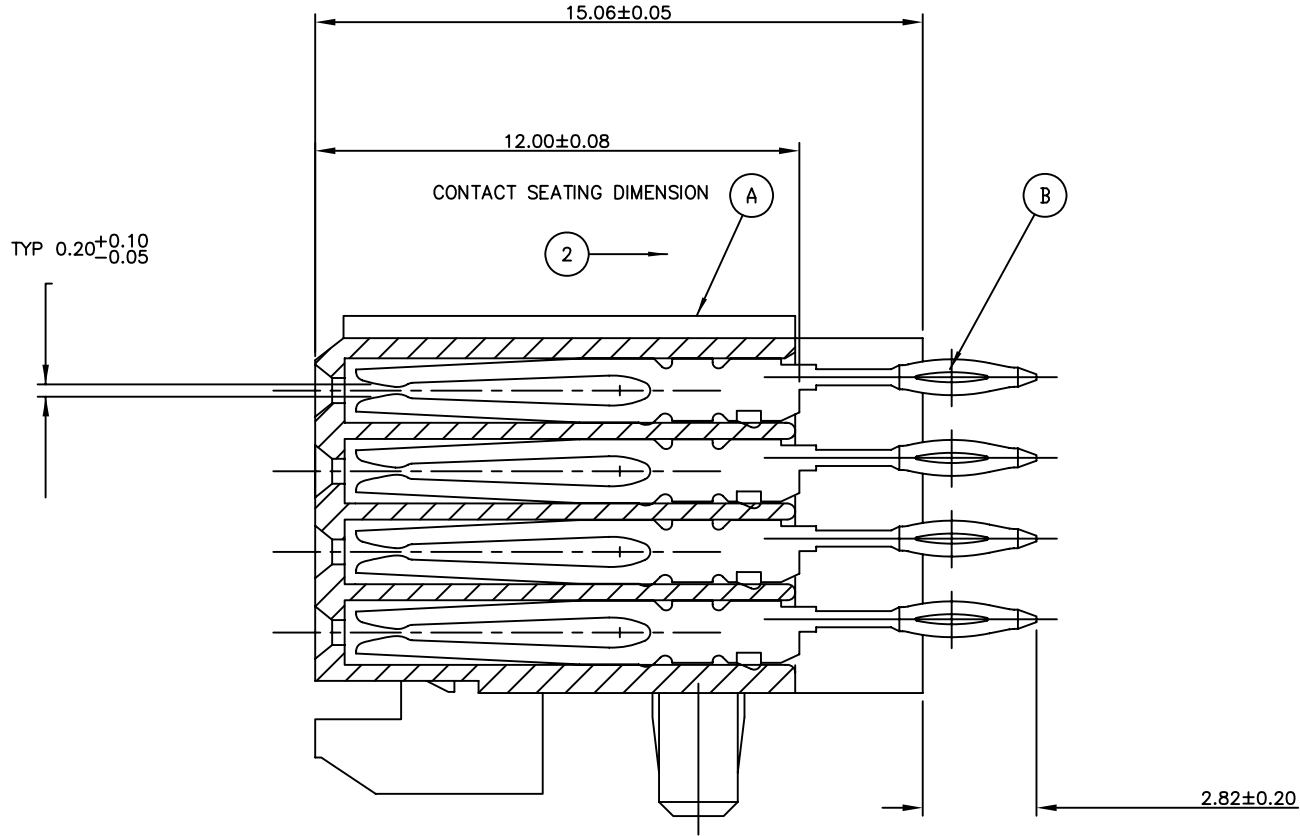
mat'l. code				tolerances unless otherwise specified		INSPECTION COPY	 www.fciconnect.com
ltr	ecn no	dr	date	linear	NONE ±3[±.1]		
J	V12680	TAB	11/19/01		.X ±.5[±.02]	 MM	F SERIES STRAIGHT RECEPTACLE 4 ROW, 3 MOD, W/GUIDES, PF
K	V05-0456	VS	07/14/05	angles	.XX ±.13[±.005]		
				dr	0° ±1'	4:1	code
				enr	V.SEVERIAN 07/14/05		
				chr	J.VOLSTROF 07/14/05	FE96797	sheet
				appd	J.VOLSTROF 07/14/05		
sheet index	revision sheet	K	K				
		1	2				

cage code
22526

Tous droits strictement reserves. Reproduction ou communication a des tiers interdite sous quelque forme que ce soit sans autorisation écrite du Propriete de c FCI. Droits de reproduction FCI.



All rights strictly reserved. Reproduction or issue to third parties in any form whatever is not permitted without written authority from the proprietor. Property of FCI. Copyright FCI.



SECTION A-A

CONFIDENTIAL

mat'l. code				tolerances unless otherwise specified		INSPECTION COPY		 www.fciconnect.com		
ltr	ecn no	dr	date	linear	NONE±3[±.1]		projection	title		
K					.X±.5[±.02]			 MM	F SERIES STRAIGHT RECEPTACLE	
					.XX±.13[±.005]				4 ROW, 3 MOD, W/GUIDES, PF	
				angles	0° ±1°			product family	code	
				dr	V.SEBASTIAN	07/14/05		METRAL	210	
				enr	J.VOLSTROF	07/14/05		size dwg no	sheet	
				chr	J.VOLSTROF	07/14/05	scale	A	2 of 2	
				appd	J.VOLSTROF	07/14/05	10:1	FE96797		
sheet index	revision sheet									

1 | 2

3 |

4

ACAD

PDM: Rev:K

STATUS:Released

Printed: Jun 04, 2008

cage code
22526