

SOURIAU's discrete wire sealing



Description

Using proven grommet technology from SOURIAU's extensive knowledge of harsh environments, the **UTO & UTS connectors** with grommet guarantee a **discrete wire sealing** rated to **IP67/69K** (up to IP68/IP69K with the easy handling UTS plastic backshell).

Applications

UTO & UTS discrete wire sealing can be used in harsh environments, including applications such as:

- Construction & Agricultural machines
- Forestry
- Mining

Benefits

A discrete sealing solution

- A grommet with three sealing barriers
- Membranes pierced only when a terminated wire is loaded

Easy to assemble

- Grommet retained by a backshell nut maintaining a pressure seal

Ideal for Indoor / Outdoor applications

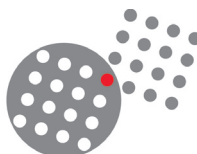
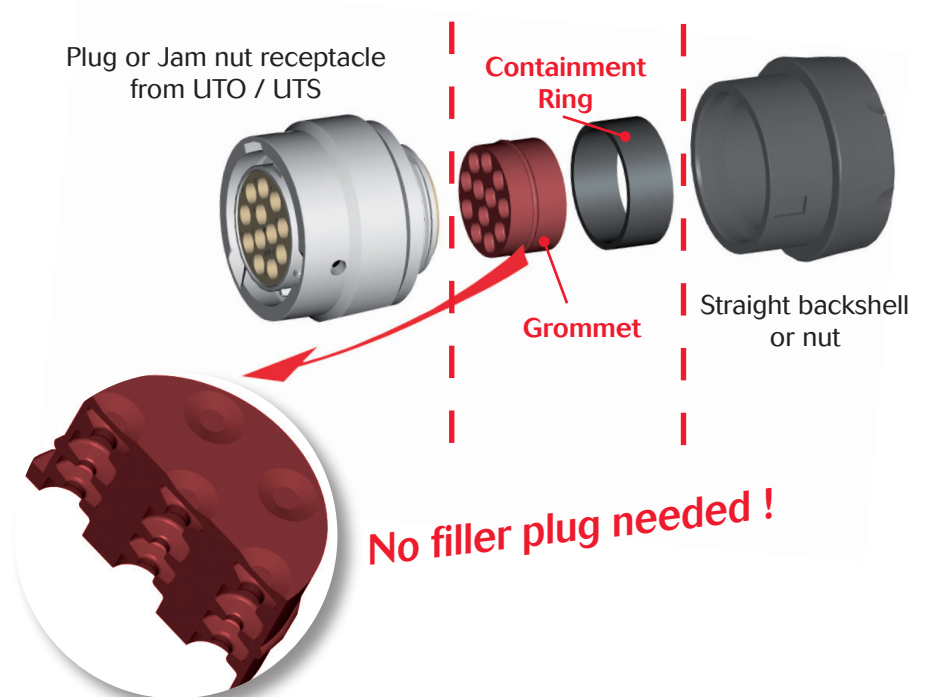
- Water protection IP67/69K (up to IP68/IP69K with the easy handling UTS plastic backshell)

RoHS compliant

- Respect for environment

SOURIAU's Offer

- Grommet version available with female plug & male receptacle
- 3 shell sizes available, 4 layouts

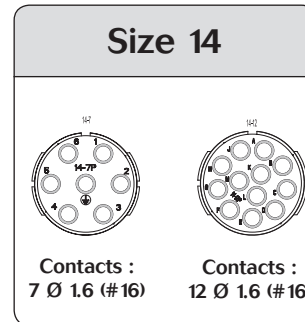
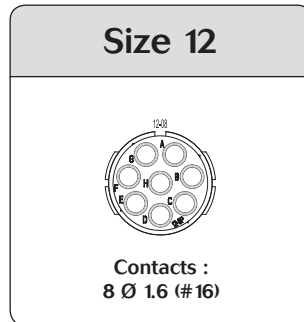
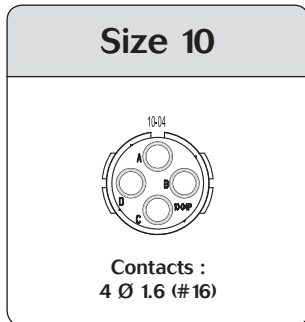


SOURIAU
Connection Technology

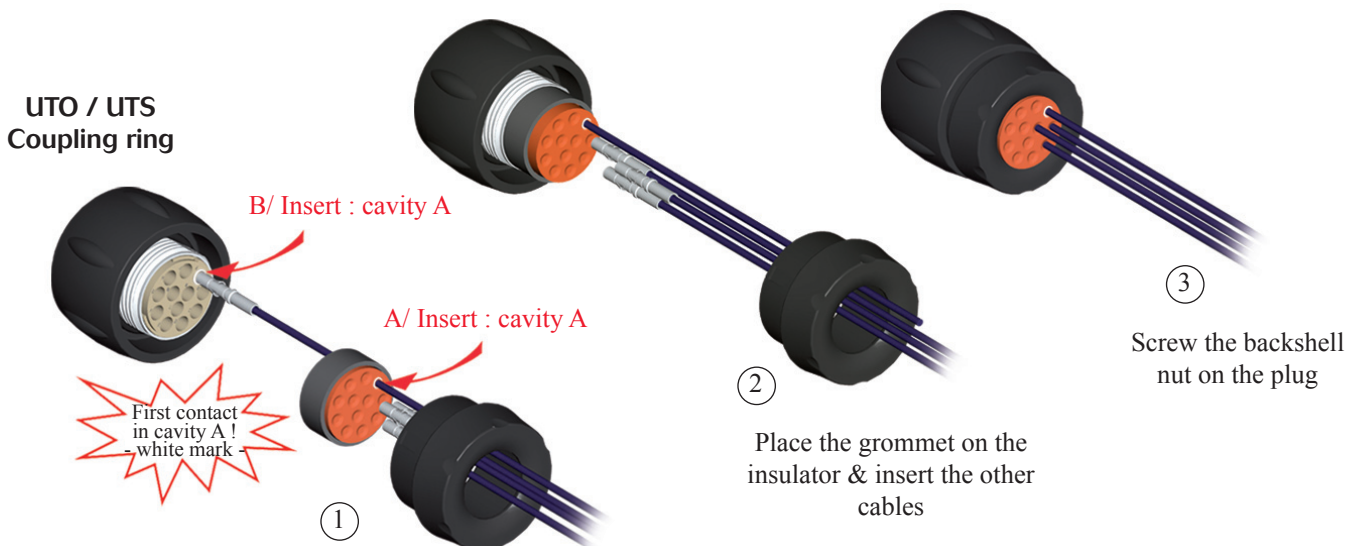
SOURIAU's discrete wire sealing



Contact layouts for UTO & UTS connectors



Assembly instructions - for UTO & UTS



Maintenance kit - for UTO & UTS

Maintenance kits are delivered as followed :

- 10 grommets according to contact gender & layout per bag
- The extraction tool for contacts inserted in grommet is the same as the one for contacts inserted without grommet
- Wiring instructions in packaging

Ordering information

Type	TTG			12	8	S
Insert arrangements	10	12	14			
Number of contacts	4	8	7 - 12			
Contact Gender						
P	Pin - only for receptacle					
S	Socket - only for cable plug					



UTO discrete wire sealing

Technical characteristics

Mechanical

- Durability: 500 matings & unmatings
- Thermal shock: Per MIL-STD202 method 207
- Wire insulation: Ø from 1.7 to 3.0 mm

Electrical

- Current per contact: 13A
- Insulation resistance: 5000 MΩ
- Test potential: 2000 Vac

Environmental

- Operating temperature: -40°C to + 105°C
- Flammability rating: UL94V0 and NFF16102 level 2
- Sealing (mated): IP67/69K (up to IP68/69K with the easy handling UTS plastic backshell)
- Salt spray resistance:
 - 48 hours - standard version
 - 96 hours - black anodized version

Material

- Connectors : Zinc alloy
- Backshell & cable glands: Brass
- Coupling ring: Aluminium alloy
- Coupling spring: Spring stainless steel
- Insert: Glass-filled thermoplast UL94-V0
- RoHS compliant & conform to the Chinese standard SJ/T 1166-2006 (Chinese RoHS equivalent)



Ordering information

Type	UTO	6	G	JC	14	12	S
	UTO	7	G	N	14	12	P
Connector type							
6	Cable plug						
7	Jam nut receptacle						
Grommet							
Rear of the connector							
JC	Backshell						
N	Nut						
Insert arrangements	10	12	14				
Number of contacts	4	8	7 - 12				
Contact Gender							
P	Pin - only for receptacle						
S	Socket - only for cable plug						

Range presentation

Plug + grommet + backshell

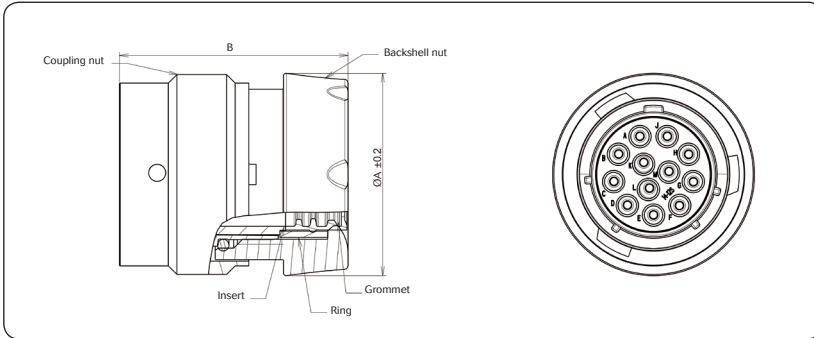
	Shell size		
	10	12	14
Layouts	10-4	12-8	14-7 14-12
ØA	22.00	25.50	29.75
B min.	62.00	65.5	70.00
Capacity C Standard seal	2.5 / 8	5 / 12	7 / 14
Capacity C Reducing seal	1.5 / 5	3 / 9	5 / 12
Hexagon D	18.50	24.00	26.00
E max.	29.00	32.70	36.70

Note : all dimensions are in mm



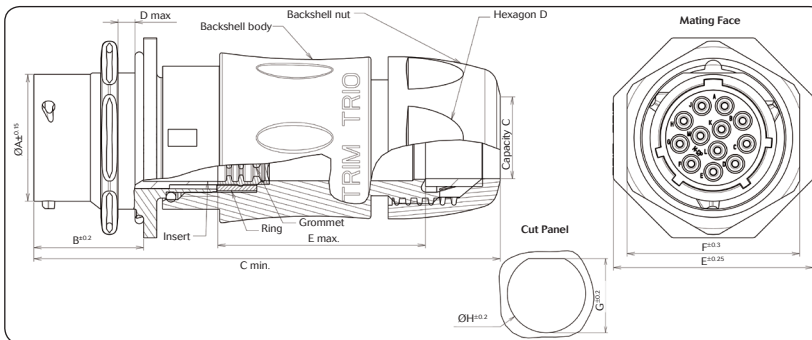
UTO discrete wire sealing

Plug + grommet + backshell nut



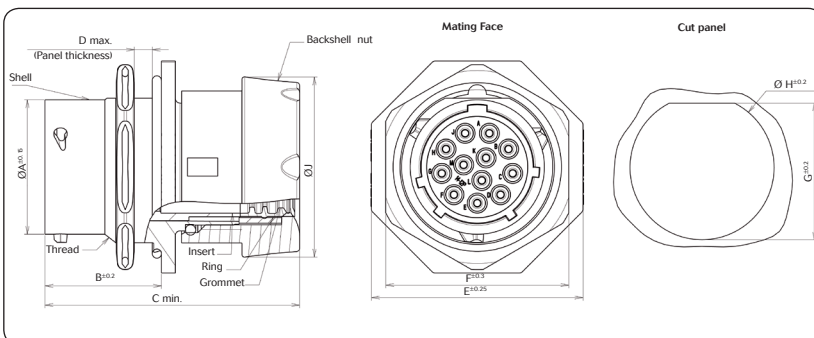
	Shell size		
	10	12	14
Layouts	10-4	12-8	14-7 14-12
Ø A	22.00	25.50	29.75
B min.	32.50	32.30	32.00

Jam nut receptacle + grommet + backshell



	Shell size		
	10	12	14
Layouts	10-4	12-8	14-7 14-12
A	14.9	19.0	22.2
B	19.3	19.3	19.3
C min.	70.5	74.0	80.5
D max.	3.2	3.2	3.2
E = 0.25	27.0	31.8	34.9
F	22.2	27.0	30.2
G	16.5	21.2	24.3
H	17.7	22.5	25.7
Capacity C Standard seal	2.5 / 8	5 / 12	7 / 14
Capacity C Reducing seal	1.5 / 5	3 / 9	5 / 12
E max.	30.5	34.0	36.5

Jam nut receptacle + grommet + backshell nut



	Shell size		
	10	12	14
Layouts	10-4	12-8	14-7 14-12
A	14.9	19.0	22.2
B	19.3	19.3	19.3
C min.	41.0	40.75	43.0
D max.	3.2	3.2	3.2
E	27.0	31.8	34.9
F	22.2	27.0	30.2
G	16.5	21.2	24.3
H	17.7	22.5	25.7
J max.	22.0	25.4	29.75



UTS discrete wire sealing

Technical characteristics

Mechanical

- Durability: 250 matings & unmatings
- Thermal shock: Per MIL-STD 1344 method 1003
- Wire insulation: Ø from 1.7 to 3.0 mm

Electrical

- Current per contact: 13A
- Insulation resistance: 5000 MΩ
- Test potential: 2000 Vac
- Rated voltage: up to 320 V class III, PD 2 per **VDE0110** (IEC 60664-1)
- Rated voltage per UL1977 type 2: 500 V



Environmental

- Operating temperature: -40°C to + 105°C
- Flammability rating: UL94V0 and NFF16102 level 2
- Sealing (mated): IP67/69K (up to IP68/69K with the easy handling UTS plastic backshell)
- UV resistant: Sun and moisture as per ISO 4892
- Salt spray resistance: 500 hours

Material

- Connectors + Backshell: Thermoplastic
- Contacts: High conductive copper alloy
Min 0.4µm gold plating
- RoHS compliant & conform to the Chinese standard SJ/T 1166-2006 (Chinese RoHS equivalent)

Ordering information

Type	UTS	6	G	JC	14	12	S
	UTS	7	G	N	14	12	P
Connector type							
1	In-line connector						
6	Cable plug						
7	Jam nut receptacle						
Grommet							
Rear of the connector							
JC	Backshell						
N	Nut						
Insert arrangements	10	12	14				
Number of contacts	4	8	7 - 12				
Contact Gender							
P	Pin - only for receptacle						
S	Socket - only for cable plug						

Range presentation

Plug + grommet + backshell

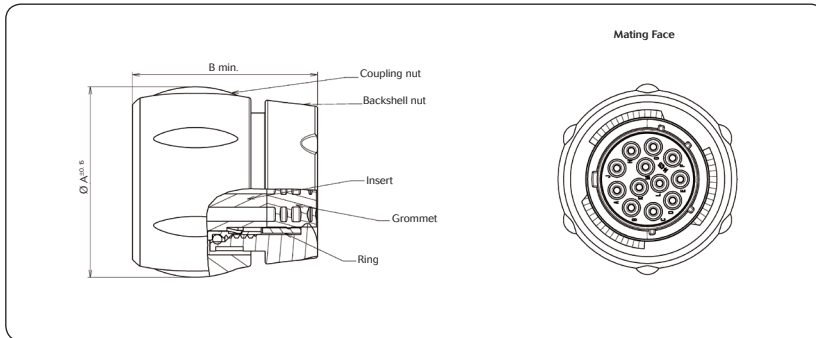
	Shell size		
	10	12	14
Layouts	10-4	12-8	14-7 14-12
A	26.2	29.7	34.6
B min.	61.5	64.5	70.0
Capacity C Standard seal	2.5 / 8	5 / 12	7 / 14
Capacity C Reducing seal	1.5 / 5	3 / 9	5 / 12
Hexagon D	18.5	24	26
E max.	29.2	32.7	36.7

Note : all dimensions are in mm



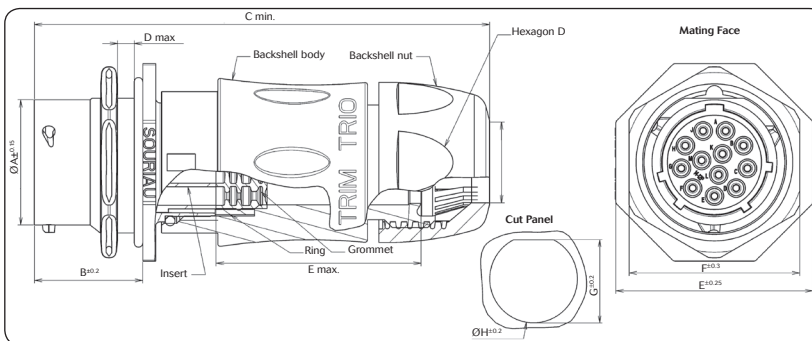
UTS discrete wire sealing

Plug + grommet + backshell nut



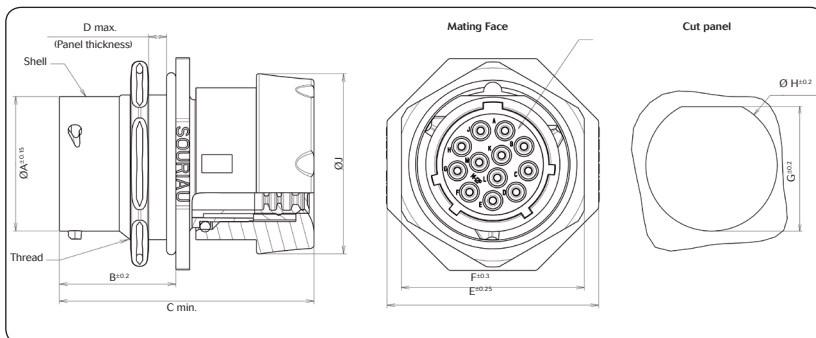
	Shell size		
	10	12	14
Layouts	10-4	12-8	14-7 14-12
A	26.2	29.7	34.6
B min.	32.5	32.3	32.0

Jam nut receptacle + grommet + backshell



	Shell size		
	10	12	14
Layouts	10-4	12-8	14-7 14-12
A	14.9	19.0	22.2
B	19.3	19.3	19.3
C min.	70.5	74.0	80.5
D max.	3.2	3.2	3.2
E = 0.25	27.0	31.8	34.9
F	22.2	27.0	30.2
G	16.5	21.2	24.3
H	17.7	22.5	25.7
Capacity C Standard seal	2.5 / 8	5 / 12	7 / 14
Capacity C Reducing seal	1.5 / 5	3 / 9	5 / 12
E max.	30.5	34.0	36.5

Jam nut receptacle + grommet + backshell nut



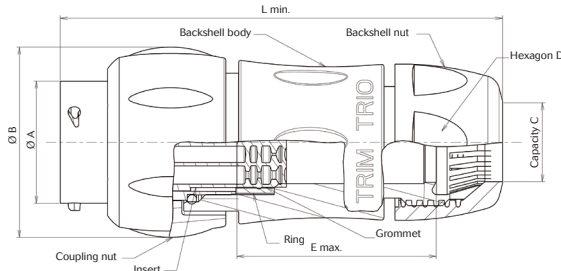
	Shell size		
	10	12	14
Layouts	10-4	12-8	14-7 14-12
A	14.9	19.0	22.2
B	19.3	19.3	19.3
C min.	41.0	41.5	43.0
D max.	3.2	3.2	3.2
E	27.0	31.8	34.9
F	22.2	27.0	30.2
G	16.5	21.2	24.3
H	17.7	22.5	25.7
J max.	22.0	25.4	29.8

Note : all dimensions are in mm



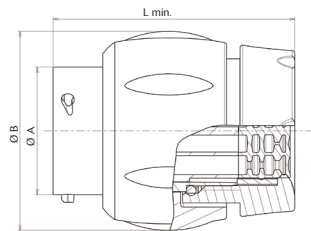
UTS discrete wire sealing

In-line + grommet + backshell



	Shell size		
	10	12	14
Layouts	10-4	12-8	14-7 14-12
Ø A	14.90	19.00	22.20
Ø B	26.20	29.70	34.60
L min.	70.75	74.50	80.50
Hexagon D	27.00	31.80	34.90
Capacity C Standard seal	2.5 / 8	5 / 12	7 / 14
Capacity C Reducing seal	1.5 / 5	3 / 9	5 / 12
E max	30.00	33.50	37.60

In-line + grommet + backshell nut



	Shell size		
	10	12	14
Layouts	10-4	12-8	14-7 14-12
Ø A	14.90	19.00	22.20
Ø B	26.20	29.70	34.60
L min.	40.90	40.90	43.00

For further information, visit our website www.souriau-industrial.com
or contact us at contactindustry@souriau.com