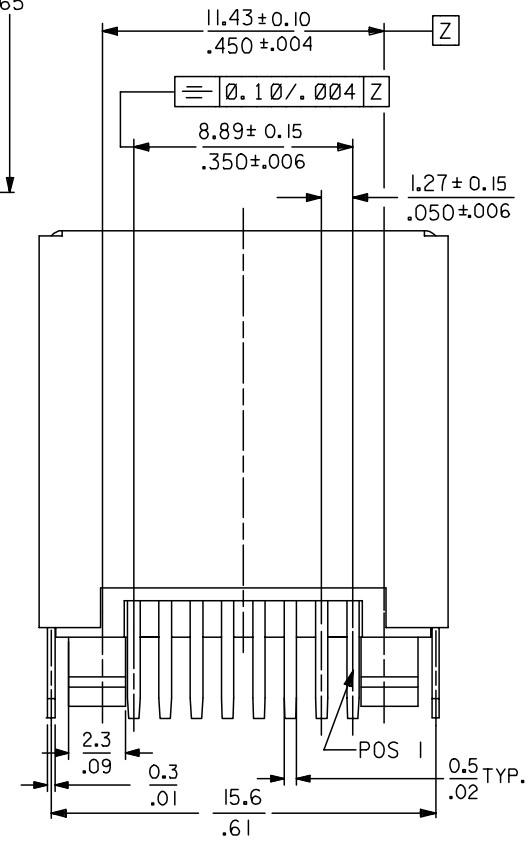
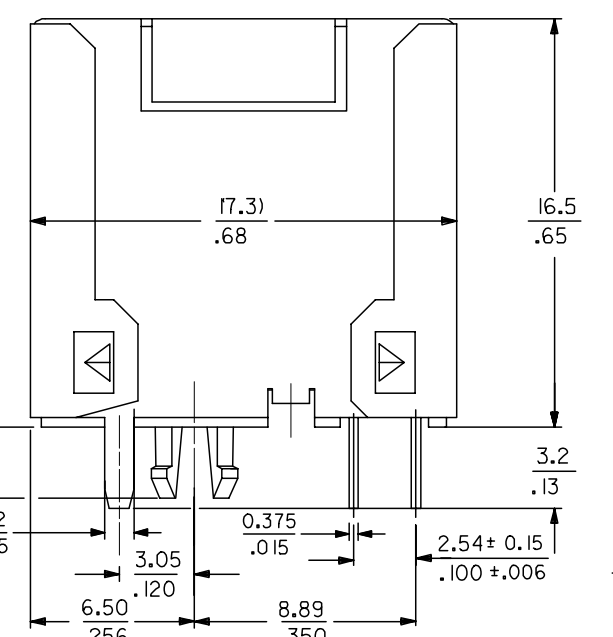
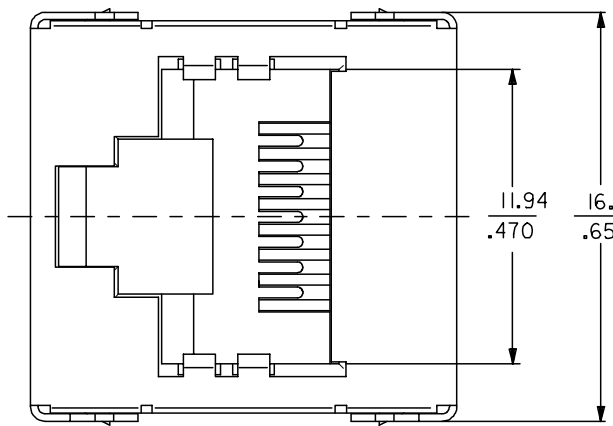
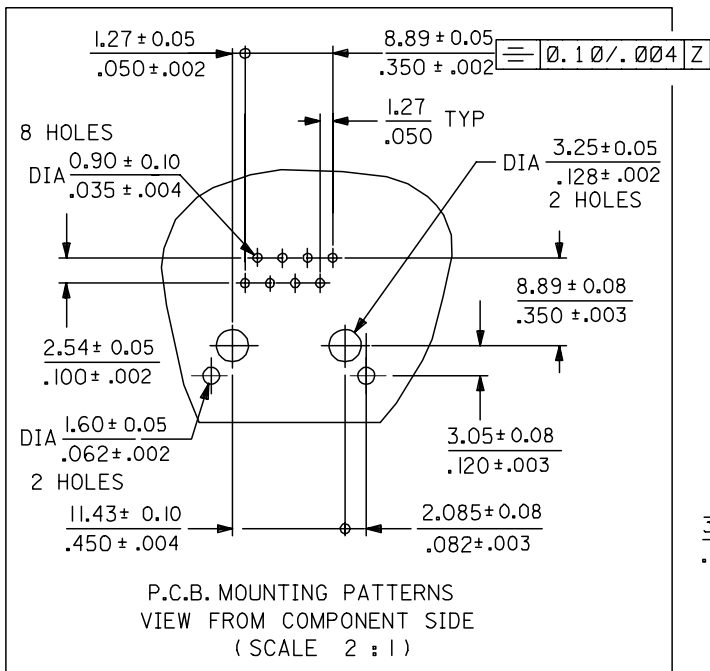


TECHNICAL SPECIFICATIONS:

1- MATERIAL: HOUSING: POLYESTER G.F. UL94V0
 COLOR : BLACK
 TERMINAL : PHOSPHOR BRONZE PLATED WITH
 0.00127-0.00152/.000050-.000060 GOLD
 IN CONTACT AREA , 0.00190/.000075 MIN
 PURE TIN IN TAIL AREA BOTH OVER
 0.00127/.000050 MIN NICKEL OVERALL
 SHIELD : BRASS PLATED WITH 0.0020/.000078
 MIN TIN

PART NUMBER	TOOLED	PCB THICKNESS
85508-0001	YES	1.57/.062
85508-0002	NO	1.20/.047



NOTES :

- 1- JACK FOR MATING WITH F.C.C. 68 PLUGS 95043 MOLEX SERIES.
- 2- PRODUCT SPECIFICATION: MOLEX PS-85505.
- 3- APPLICATION SPECIFICATION: MOLEX AS-95001.
- 4- PACKAGING SPECIFICATION: MOLEX PK-95123.
- 5- P.C. BOARD THICKNESS (SEE CHART) DIM A
- 6- EXCEEDS CATEGORY 5E PERFORMANCE.

ENTER DESCRIPTION EC NO: MG2005-0139 DRAWN: KNOLLER 2004/10/15 CHKD: FCARABET 2004/10/15 APPR: KNOLLER 2004/10/15	QUALITY SYMBOLS ▽=0 ▽=0	GENERAL TOLERANCES (UNLESS SPECIFIED)		DIMENSION STYLE MM ONLY		SCALE 5:1	DESIGN UNITS METRIC	THIRD ANGLE PROJECTION		
		4 PLACES ± --- ± ---		DRAWN BY HB		DATE 99/07/07		TITLE HIGH SPEED MODULAR JACK TOP ENTRY 8 CKTS THROUGH HOLE VERSION		
		3 PLACES ± --- ± .010		CHECKED BY		DATE		MOLEX MOLEX INCORPORATED		
		2 PLACES ± 0.25 ± .014		APPROVED BY FB		DATE		DOCUMENT NO. SD-85508-001		SHEET NO. 1 OF 1
1 PLACE ± 0.35 ± ---		ANGULAR ± 2 °		MATERIAL NO.		SIZE SEE CHART		THIS DRAWING CONTAINS INFORMATION THAT IS PROPRIETARY TO MOLEX INCORPORATED AND SHOULD NOT BE USED WITHOUT WRITTEN PERMISSION		
DRAFT WHERE APPLICABLE MUST REMAIN WITHIN DIMENSIONS		DIM A		DIM A		DIM A		DIM A		