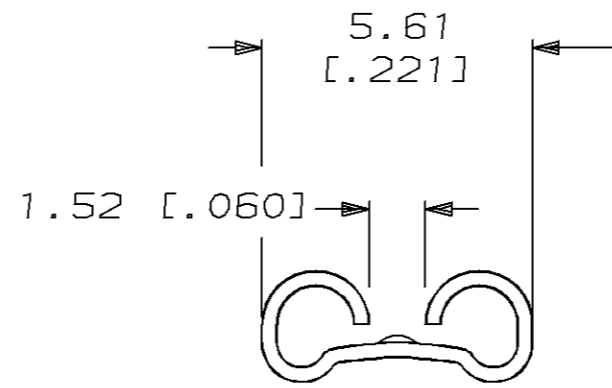
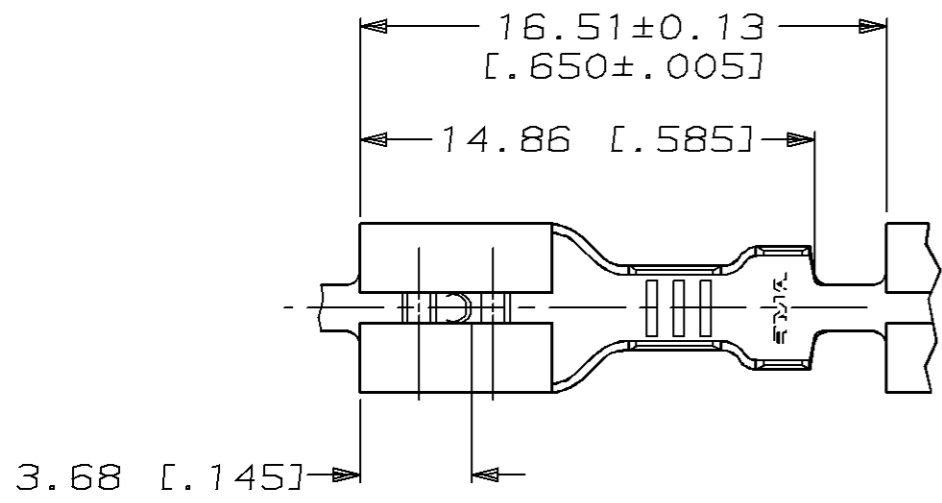
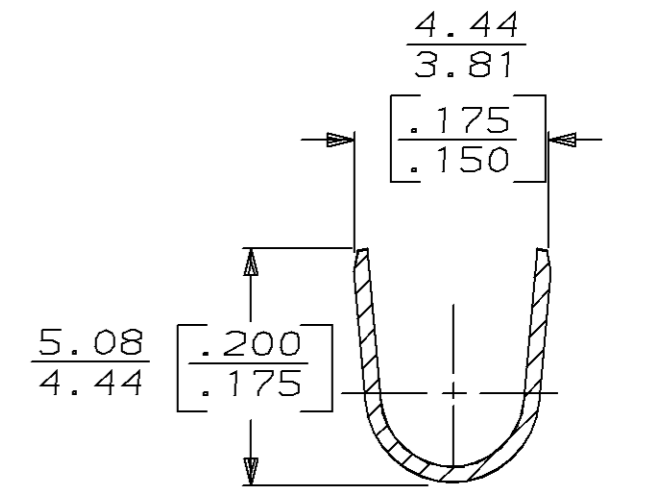
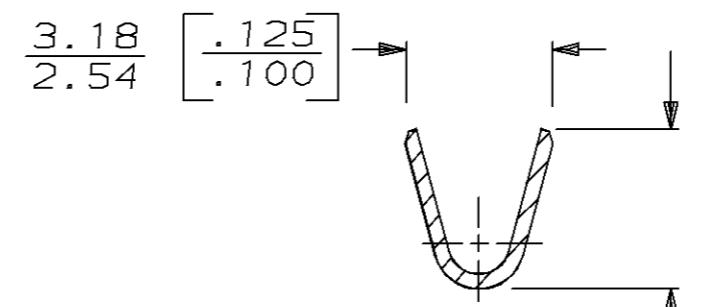
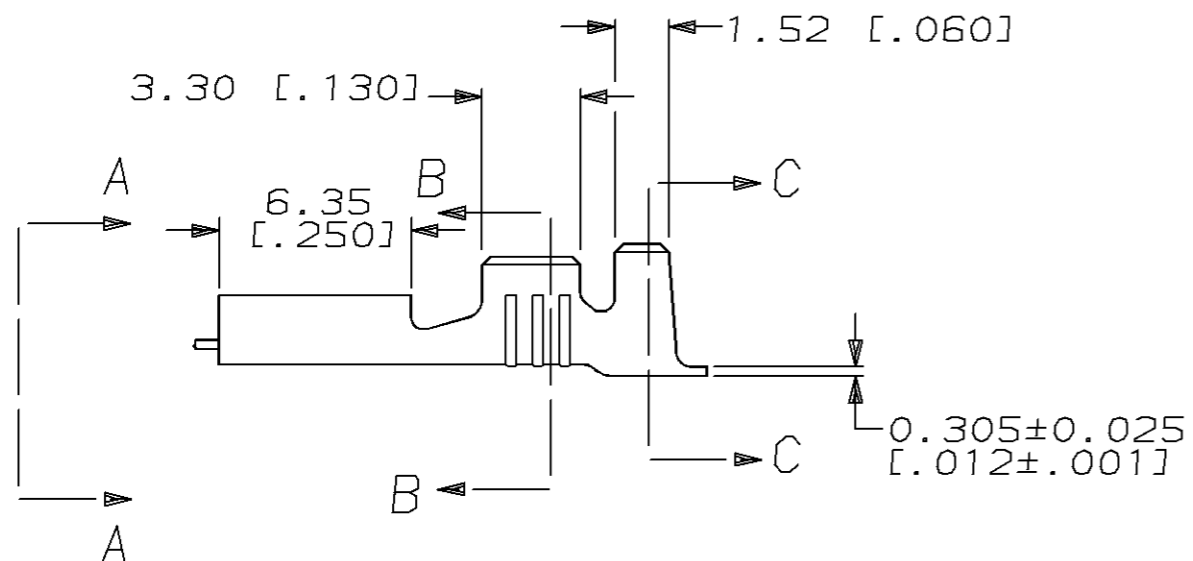


THIS DRAWING IS UNPUBLISHED. RELEASED FOR PUBLICATION, 19 .
 © COPYRIGHT 19 BY AMP INCORPORATED. ALL INTERNATIONAL RIGHTS RESERVED.

LOC	DIST	P	F	ZONE	LTR	REVISIONS	DATE	APPD
AF	50				A	REL PER 0L10-0048-97	2/11/97	JR/JG



- 1 CONTINUOUS STRIP ON REELS.
- 2 MATING TAB THK IS 0.51±0.025 [.020±.001].
- 3 WIRE SIZE IS [#20-#16] AWG.
- 4 INSULATION RANGE IS 2.29-3.30 [.090-.130] DIA.



THIS DRAWING IS A CONTROLLED DOCUMENT FOR AMP INCORPORATED. IT IS SUBJECT TO CHANGE AND THE CONTROLLING ENGINEERING ORGANIZATION SHOULD BE CONTACTED FOR THE LATEST REVISION.

DO NOT SCALE PRINT. UNLESS SPECIFIED DIMENSIONS ARE IN MM [INCHES] TOLERANCES ON: 2 PLC DEC ± - 3 PLC DEC ± 0.38 [.015] ANGLES ± -		DR 1/8/97 JR RUTH	AMP AMP Incorporated Harrisburg, PA 17105-3608
MATERIAL T2 STEEL	CHK 1/8/97 MS FEHER	NAME RECEPTACLE, FASTON, .187 SERIES	
FINISH NICKEL	APPD 1/8/97 P DESANTIS	APPD 1/8/97 D BRATINA	SIZE B
	PRODUCT SPEC -	APPLICATION SPEC 114-2036	CAGE CODE 00779
	WEIGHT -		DRAWING NO C-63959
			SCALE 4:1
			SHEET 1 OF 1

63959-1
PART NO