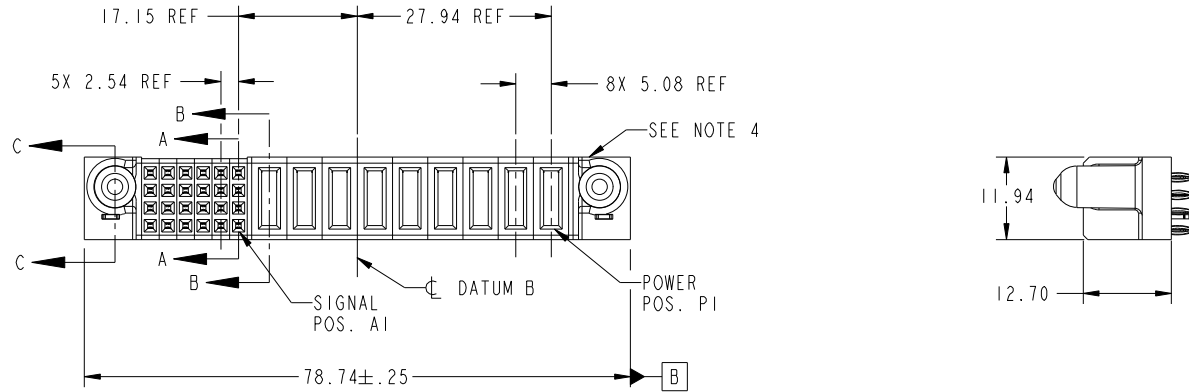


Tous droits strictement reserves. Reproduction ou communication a des tiers interdite sous quelque forme que ce soit sans autorisation écrite du propriétaire. Propriete de c FCI. Droits de reproduction FCI.



All rights strictly reserved. Reproduction or issue to third parties in any form whatever is not permitted without written authority from the proprietor. Property of FCI. Copyright FCI.

PRODUCT NO.	ROWS	SIGNAL					POWER							E1					
		E2	6	5	4	3	2	1	P9	P8	P7	P6	P5		P4	P3	P2	P1	
51940-191-- NOTE: 3	D C B A		F	F	F	F	F	F	F	F	F	F	F	F	F	F	F	F	



CODE	DIM "M" MATING LENGTH	CONTACT TYPE
PF	[2.34]	POWER
F	[N/A]	SIGNAL
HA	[N/A]	HOLD-DOWN
PC	[1.07]	POWER

mat'l code				SEE NOTE 2		tolerances unless otherwise specified		CUSTOMER		FCI	
ltr	ecn no.	dr	date	linear	0.X ± 0.3	COPY		www.fciconnect.com		title	
A	DG06-0238	JULIA	06/16/06		0.XX ± 0.13	projection		9P + 24S		VERTICAL PRESS-FIT RECEPT	
B	DG06-0384	JMG	09/12/06	angles	0.XXX ± 0.051			product family		PwrBlade	code
C	DG06-0405	JMG	09/27/06		0° ± 2°			size		dwg no	213
				dr	JULIA WANG	06/16/06	scale		A	51940-191	sheet
				enr	SALLY LUO	06/16/06	1:1		1 of 4		
				chr	BEER FU	06/16/06					
				appd	JOSEPH HSIA	06/16/06					
sheet index	revision sheet	C	C	C	C	C					
		1	2	3	4						

cage code 22526

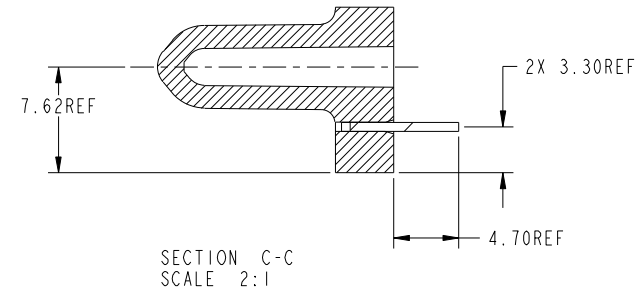
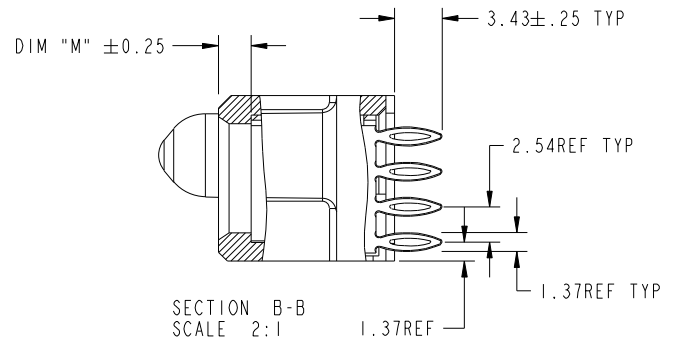
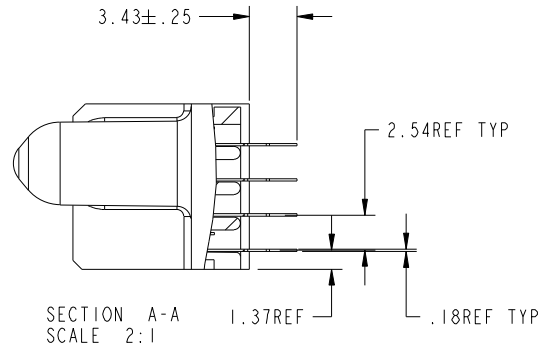
Pro/E

Tous droits strictement reserves. Reproduction ou communication a des tiers interdite sous quelque forme que ce soit sans autorisation écrite du propriétaire. Propriete de c FCI. Droits de reproduction FCI.



All rights strictly reserved. Reproduction or issue to third parties in any form whatever is not permitted without written authority from the proprietor. Property of FCI. Copyright FCI.

PRODUCT NUMBER  
51940-191--  
NOTE: 3



mat'l code				tolerances unless otherwise specified		CUSTOMER		FCI	
ltr	ecn no.	dr	date	linear	0.X ± 0.3	COPY		www.fciconnect.com	
C					0.XX ± 0.13	projection		title	
				angles	0.XXX ± 0.051			9P + 24S VERTICAL PRESS-FIT RECEIPT	
				dr	JULIA WANG 06/16/06	MIM		product family PwrBlade code	
				enr	SALLY LUO 06/16/06			size 213	
				chr	BEER FU 06/16/06	scale 1:1		dwg no 51940-191	
				appd	JOSEPH HSIA 06/16/06			sheet 2 of 4	
sheet index		revision sheet							

cage code 22526

Pro/E

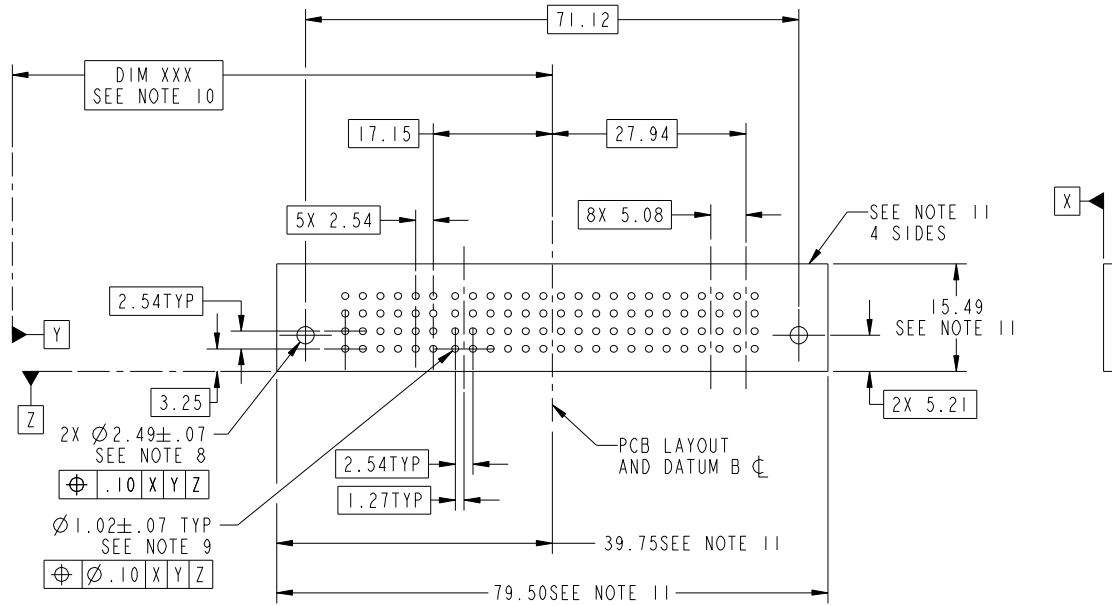
Tous droits strictement reserves. Reproduction ou communication a des tiers interdite sous quelque forme que ce soit sans autorisation écrite du propriétaire. Propriete de c FCI. Droits de reproduction FCI.



All rights strictly reserved. Reproduction or issue to third parties in any form whatever is not permitted without written authority from the proprietor. Property of FCI. Copyright FCI.

PRODUCT NUMBER  
51940-191\_\_  
NOTE: 3

1 | 2 | 3 | 4



A

A

B

B

mat'l code				tolerances unless otherwise specified		CUSTOMER		FCI	
ltr	ecn no.	dr	date	linear	0.X ± 0.3	COPY		www.fciconnect.com	
C				linear	0.XX ± 0.13	projection		title 9P + 24S	
				angles	0.XXX ± 0.051			VERTICAL PRESS-FIT RECEPT	
				dr	0° + 2°	MIM		product family PwrBlade code 213	
				enr	JULIA WANG 06/16/06	scale		size dwg no 213	
				chr	SALLY LUO 06/16/06	1:1		sheet 3 of 4	
				appd	BEER FU 06/16/06	A		51940-191	
					JOSEPH HSIA 06/16/06				
sheet index		revision sheet							

1 | 2 | Pro/E | 3 | cage code 22526 | 4

Tous droits strictement reserves. Reproduction ou communication a des tiers interdite sous quelque forme que ce soit sans autorisation ecrite du proprietaire. Propriete de c FCI. Droits de reproduction FCI.

All rights strictly reserved. Reproduction or issue to third parties in any form whatever is not permitted without written authority from the proprietor. Property of FCI. Copyright FCI.

PRODUCT NUMBER  
51940-191--  
NOTE: 3

NOTES:

1. DIMENSIONS AND TOLERANCES ARE IN ACCORDANCE WITH ASME Y14.5M, 1994 UNLESS OTHERWISE SPECIFIED.

CONNECTOR NOTES:

- ② HOUSING MATERIAL: UL 94 V-0 GLASS FILLED  
HIGH-TEMP THERMOPLASTIC  
POWER CONTACT MATERIAL: COPPER ALLOY  
SIGNAL PIN MATERIAL: COPPER ALLOY
- 3. PLATING SPEC.  
51940-191,51940-191LF PLATING SPEC. WAS SHOWN IN THE PRINT OF 10064183.
- ④ MANUFACTURER'S NAME, P/N, AND DATE CODE TO APPEAR ON THIS SURFACE.
- 5. PRODUCT SPECIFICATION GS-12-149.  
APPLICATION SPECIFICATION BUS-20-067.
- 6. PACKAGED IN TRAYS.
- PCB NOTES:
- 7. ALL HOLE DIAMETERS ARE FINISHED HOLE SIZE.
- ⑧ MOUNTING HOLES, WHERE APPLICABLE, ARE UNPLATED.
- ⑨  $\varnothing 1.151 \pm 0.025$  DRILLED HOLES PLATED WITH  
0.008 MIN SnPb OR Sn OVER 0.03  
TO 0.08 Cu PLATING TO ACHIEVE  
 $\varnothing 1.02 \pm .07$  HOLE.
- ⑩ "DIM XXX" TO BE DETERMINED BY THE CUSTOMER.
- ⑪ CONNECTOR KEEP-OUT ZONE.

mat'l code				tolerances unless otherwise specified		CUSTOMER		FCI		www.fciconnect.com	
ltr	ecn no.	dr	date	linear	0.X ± 0.3		COPY		projection	title	
C					0.XX ± 0.13		MIM			9P + 24S	
					0.XXX ± 0.051		←			VERTICAL PRESS-FIT RECEPT	
				angles	0° ± 2°		MIM		product family		code
				dr	JULIA WANG	06/16/06	←		PwrBlade		213
				enr	SALLY LUO	06/16/06	←		size		sheet
				chr	BEER FU	06/16/06	←		dwg no		4 of 4
				appd	JOSEPH HSIA	06/16/06	←		A		51940-191
sheet index		revision sheet		scale		1:1		A		4 of 4	

cage code 22526

Pro/E