

4

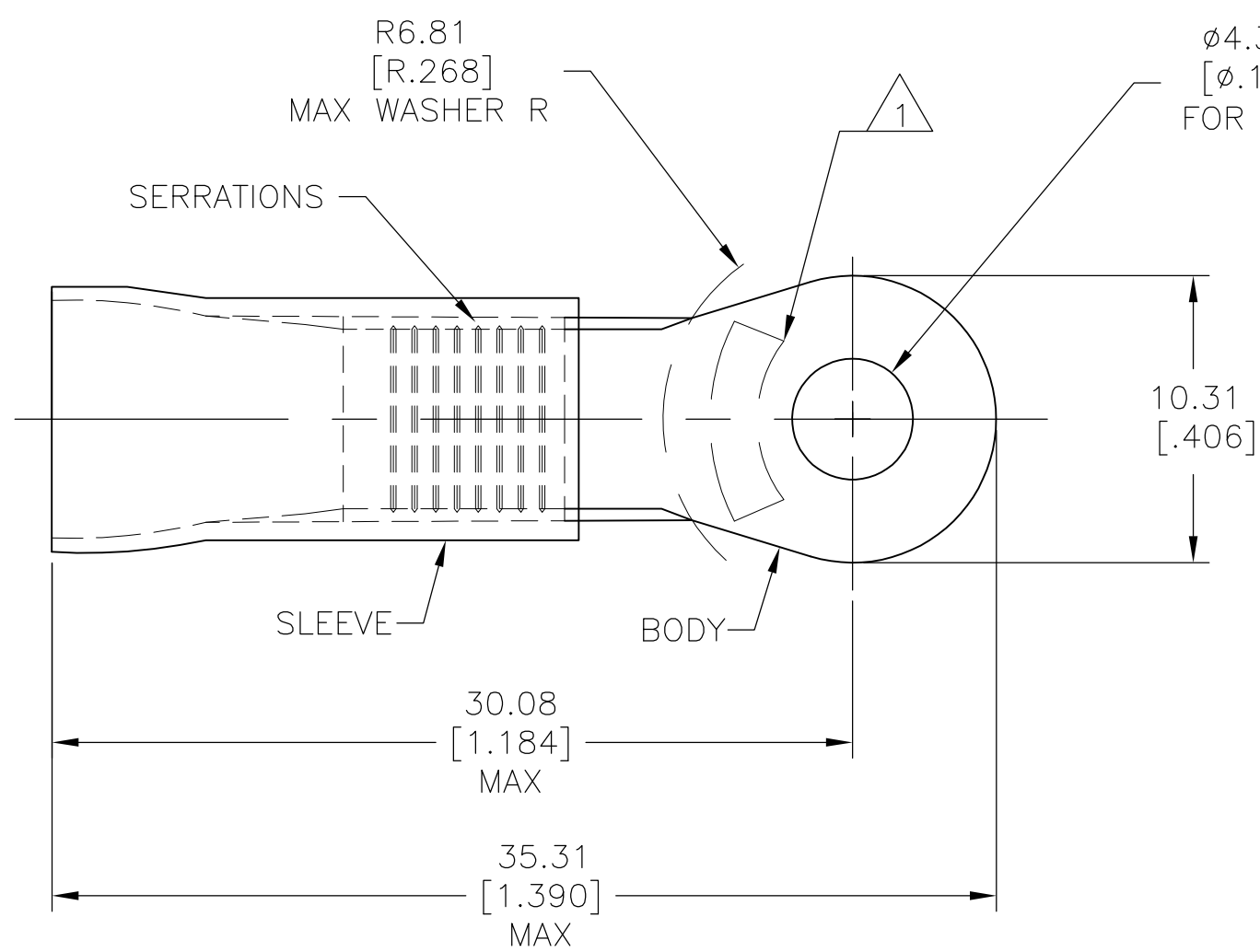
3

2

1

THIS DRAWING IS UNPUBLISHED. RELEASED FOR PUBLICATION  
 © COPYRIGHT - By - ALL RIGHTS RESERVED.

LOC	DIST	REVISIONS			
P	LTR	DESCRIPTION	DATE	DWN	APVD
G	14	B2	REVISED PER ECO-13-002072	05FEB13	KH DR



**AMP**  
WIRE RANGE

---

8 AWG  
STRANDED

- △ 1 STAMP AMP 8\* LOCATE APPROX AS SHOWN
- 2 TONGUE MATERIAL THK 1.22±0.08[.048±.003]
- 3 TAPE ITEMS ARE ON 30.48 [1.200] CENTERS
- △ 4 TIN PLATE PER ASTM B545
- △ 5 COPPER PER ASTM B152  
SLEEVE - PVC, RED
- 6 FOR 9.14[.360]MAX INSULATION DIAMETER

QTY	PACKAGE TYPE	PART NO.
500	ON TAPE	696049-2
100	LOOSE PIECE	696049-1

**AMP INCORPORATED**  
CUSTOMER SERVICE SYSTEMS

FOR ADDITIONAL PRODUCT INFORMATION OR COPIES OF DRAWINGS AND TECHNICAL DOCUMENTS  
 PRODUCT INFORMATION CENTER  
 1-800-522-6752

FOR APPLICATION TOOLING INFORMATION  
 TOOLING ASSISTANCE CENTER  
 1-800-722-1111

FOR ORDER ENTRY  
 1-800-526-5142

MAX RECOMMENDED OPERATING TEMPERATURE:  
105°C [221°F]

VOLTAGE RATING:  
600V MAX

CIRCULAR MIL AREA:  
6.64-10.54mm<sup>2</sup>[13,100-20,800]  
STRANDED

THIS DRAWING IS A CONTROLLED DOCUMENT.

DIMENSIONS: mm [INCHES]

TOLERANCES UNLESS OTHERWISE SPECIFIED:  
 0 PLC ± -  
 1 PLC ± -  
 2 PLC ± 0.20[.008]  
 3 PLC ± -  
 4 PLC ± -  
 ANGLES ± -

MATERIAL: COPPER △ 5

FINISH: TIN PLATE △ 4

DWN JR RUTH 31MAY00  
 CHK M FEHER 31MAY00  
 APVD T MICHELUTTI 31MAY00

PRODUCT SPEC -  
 APPLICATION SPEC -  
 WEIGHT -

**STE** TE Connectivity

NAME: TERMINAL, RING TONGUE, PLASTI-GRIP, WIRE SIZE: 8 AWG

SIZE: A3 CAGE CODE: 00779 DRAWING NO: C-696049 RESTRICTED TO: -

CUSTOMER DRAWING SCALE: 4:1 SHEET: 1 OF 1 REV: B2