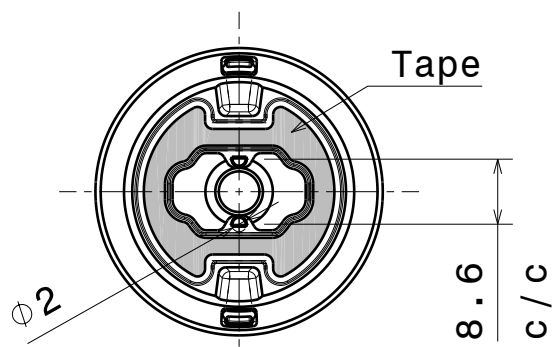
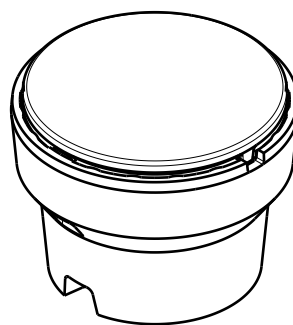


D C B A

4



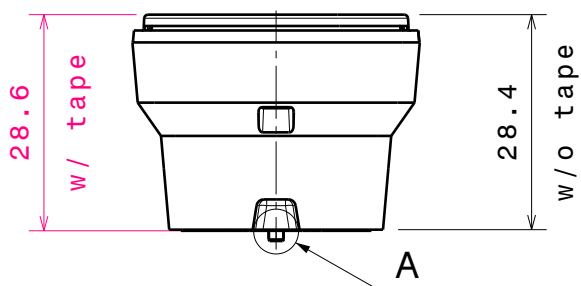
Bottom view



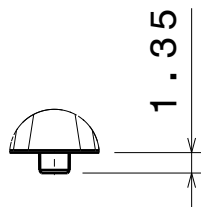
Isometric view

4

3



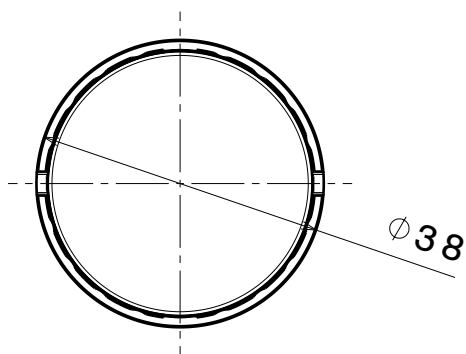
Front view



Detail A

3

2



Top view

2

Materials:

Lens: PMMA
 Sublens: PMMA
 Holder: PC
 Tape: PU Foam

This drawing is our property.
 It can't be reproduced
 or communicated without
 our written agreement.

LEDIL Ledil Oy
 Salorankatu 10
 FIN 24240 SALO
 Finland

DRAWING TITLE Mechanical drawing
IRIS-XP

DRAWN BY as	DATE 17.8.2012
CHECKED BY sn	DATE -
DESIGNED BY -	DATE -

SIZE A4	PART NUMBER	REV 001
SCALE 1:1	WEIGHT -	SHEET 1/1

1

D

A